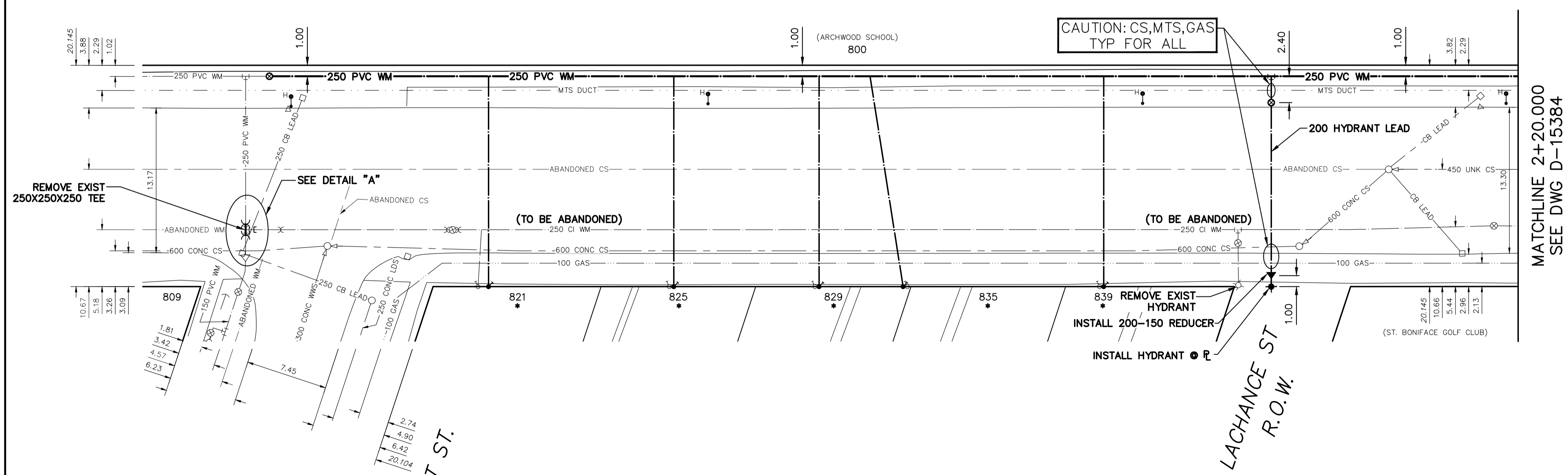
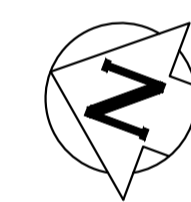


NOTE: CHAINAGES SHOWN ARE ALONG W. R. OF ARCHIBALD STREET

ARCHIBALD STREET



WATER SERVICE INFORMATION

ADDRESS	SIZE (mm) MATERIAL (STREET)	SIZE (mm) MATERIAL (PROP.)	SHORT & LONG MEASUREMENT	CORP. LOCATION	REMARKS
800 ARCHIBALD ST	-	50	25.12 SNL BLDG	-	OUTSIDE LIMITS
COMMERCIAL	-	CU	5.900 NSL GAREAU ST	-	OUTSIDE LIMITS
809 ARCHIBALD ST	-	20	2.15 NNL HSE	-	OUTSIDE LIMITS
RESIDENTIAL	-	CU	14.500 NNL GUILBAULT ST	-	OUTSIDE LIMITS
* 821 ARCHIBALD ST	20	20	0.63 SNL HSE	0.3 S OF S/C	RENEW TO R W/20 CU
RESIDENTIAL	-	CU	4.100 SSL GUILBAULT ST	-	RENEW TO R W/20 CU
* 825 ARCHIBALD ST	-	-	4.19 SNL HSE	-	RENEW TO R W/20 CU
RESIDENTIAL	-	-	21.500 SSL GUILBAULT ST	-	RENEW TO R W/20 CU
* 829 ARCHIBALD ST	-	-	2.42 SNL HSE	-	RENEW TO R W/20 CU
RESIDENTIAL	-	-	34.800 SSL GUILBAULT ST	-	RENEW TO R W/20 CU
* 835 ARCHIBALD ST	-	-	3.26 NNL HSE	-	RENEW TO R W/20 CU
RESIDENTIAL	-	-	43.200 SSL GUILBAULT ST	-	RENEW TO R W/20 CU
* 839 ARCHIBALD ST	-	20	0.36 SNL HSE	-	RENEW TO R W/20 CU
RESIDENTIAL	-	CU	60.700 SSL GUILBAULT ST	-	RENEW TO R W/20 CU

* SERVICES TO BE RENEWED TO R. ALL OTHERS TO BE RECONNECTED

FOR INDEX SEE D-15381

NOTE: ALL VALVES TO BE INSTALLED CLOCKWISE TO CLOSE

METRIC
WHOLE NUMBERS INDICATE MILLIMETRES
DECIMALIZED NUMBERS INDICATE METRES



WARNING
IF POWER EQUIPMENT OR EXPLOSIVES ARE TO BE USED FOR EXCAVATION ON THIS PROJECT THE CONTRACTOR MUST:
1) NOTIFY THE GAS COMPANY OF THE PROPOSED LOCATION OF EXCAVATION.
2) TAKE PRECAUTION TO AVOID DAMAGE TO GAS COMPANY INSTALLATIONS.
SEE PROVINCIAL REGULATION 210/72 FOR DETAILS

LOCATION APPROVED UNDERGROUND STRUCTURES
SUPV. U/G STRUCTURES COMMITTEE DATE
NOTE:
LOCATION OF UNDERGROUND STRUCTURES AS SHOWN ARE BASED ON THE BEST INFORMATION AVAILABLE BUT NO GUARANTEE IS GIVEN THAT ALL EXISTING UTILITIES ARE SHOWN OR THAT THE GIVEN LOCATIONS ARE EXACT. CONFIRMATION OF EXISTENCE AND EXACT LOCATION OF ALL SERVICES MUST BE OBTAINED FROM THE INDIVIDUAL UTILITIES BEFORE PROCEEDING WITH CONSTRUCTION.

NO.	REVISIONS	DATE	BY

DESIGNED BY	TGS	CHECKED BY	SC
DRAWN BY	BL	APPROVED BY	KZ
SCALE:	HORIZONTAL 1:250 VERTICAL 1:50		
DATE	2019 04 08	DATE	2019 04 05

ENGINEER'S SEAL
ORIGINAL SIGNED BY
S.R.J. COURNOYER
19/04/04
CONSULTANT DRAWING NUMBER

THE CITY OF WINNIPEG
WATER AND WASTE DEPARTMENT
ENGINEERING DIVISION

2019 WATER MAIN RENEWALS
CONTRACT 2
ARCHIBALD STREET
GUILBAULT STREET TO
220 S OF GUILBAULT STREET

SHEET 4 OF 15
CITY DRAWING NUMBER
D-15383