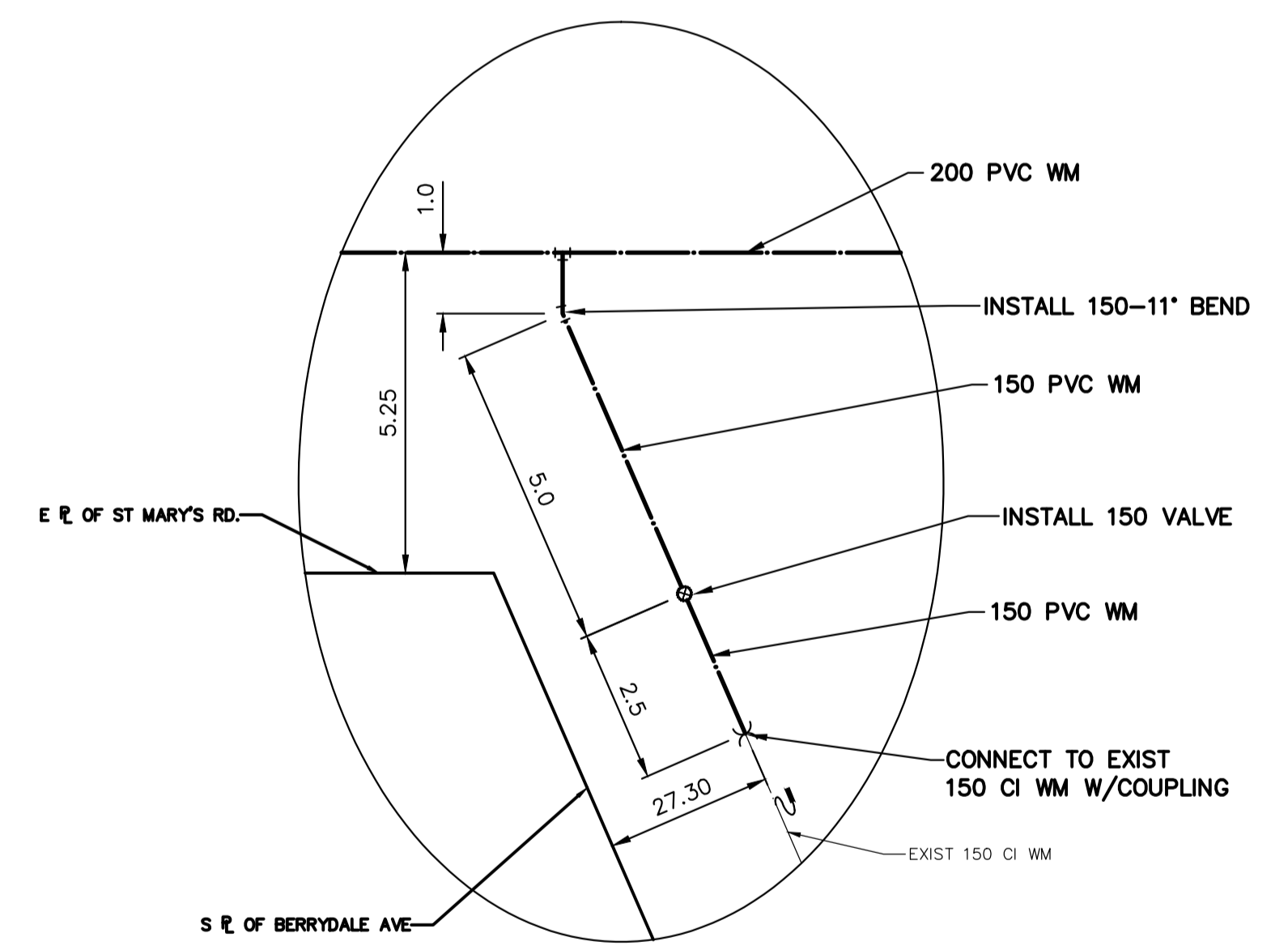
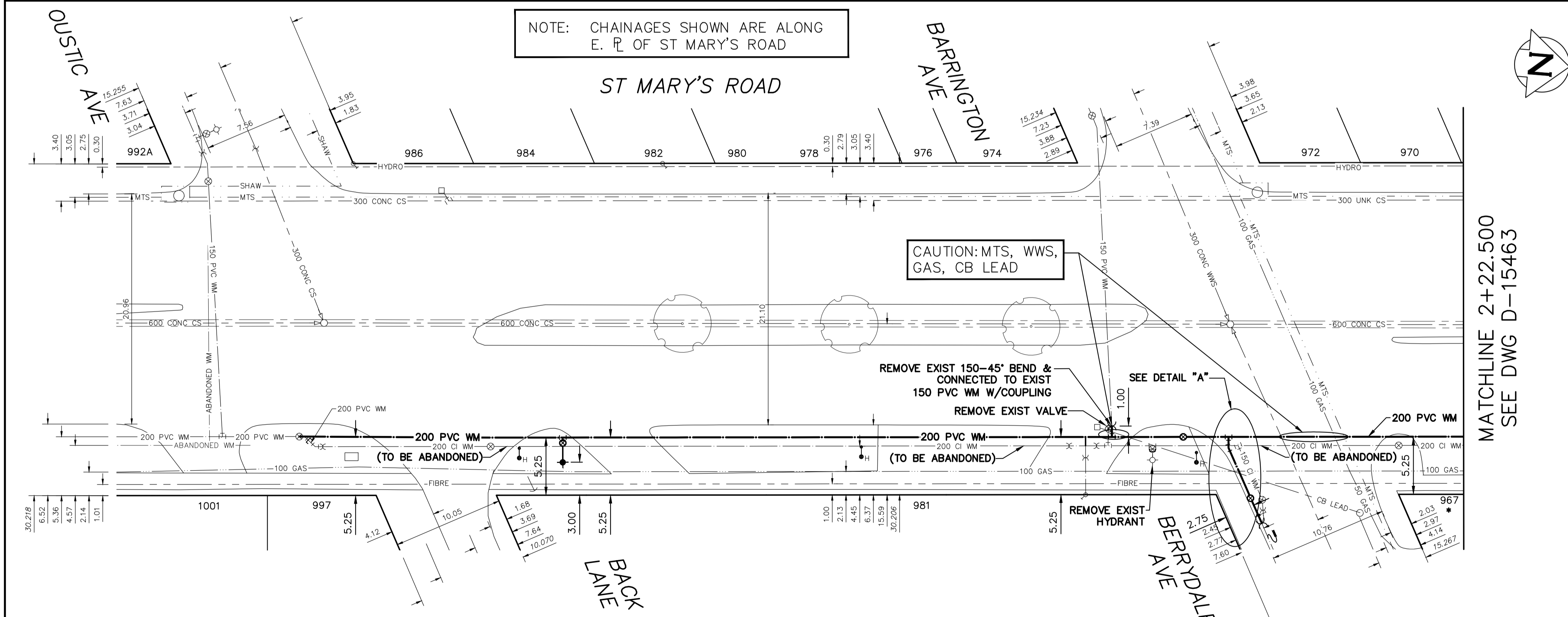


WATER SERVICE INFORMATION

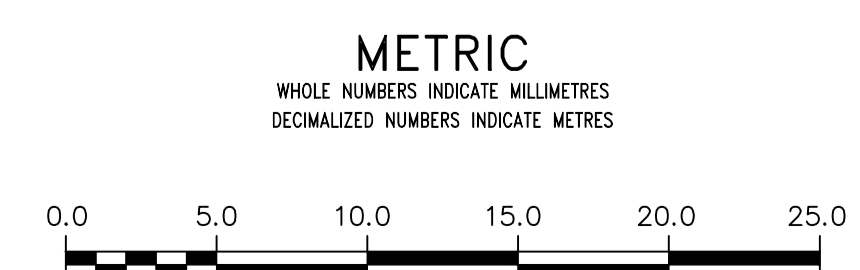
ADDRESS	SIZE (mm) MATERIAL (STREET)	SIZE (mm) MATERIAL (PROP.)	SHORT & LONG MEASUREMENT	CORP. LOCATION	REMARKS
1001 ST MARY'S RD	-	-	25.06 NSL BLDG	-	OUTSIDE LIMITS
997 ST MARY'S RD	-	-	25.060 NNL SADLER AVE	-	-
992A ST MARY'S RD	-	-	-	-	OUTSIDE LIMITS
986 ST MARY'S RD	-	-	0.81 SSL BLDG	-	OUTSIDE LIMITS
984 ST MARY'S RD	-	-	NL OUSTIC AVE	-	-
982 ST MARY'S RD	-	-	20	-	EMPTY LOT
981 ST MARY'S RD	-	-	28.178 NNL OUSTIC AVE	-	EMPTY LOT
980 ST MARY'S RD	-	-	5.38 NSL BLDG	OPP OF S/C	RECONNECT SERVICE
978 ST MARY'S RD	-	-	11.887 SSL BERRYDALE AVE	-	RECONNECT SERVICE
976 ST MARY'S RD	-	-	-	0.8 W OF S/C	RECONNECT SERVICE
974 ST MARY'S RD	-	-	-	-	RECONNECT SERVICE
972 ST MARY'S RD	-	-	-	-	RECONNECT SERVICE
970 ST MARY'S RD	-	-	-	-	RECONNECT SERVICE

* SERVICES TO BE RENEWED TO R. ALL OTHERS TO BE RECONNECTED



FOR INDEX SEE D-15456

NOTE: ALL VALVES TO BE INSTALLED CLOCKWISE TO CLOSE



WARNING
IF POWER EQUIPMENT OR EXPLOSIVES ARE TO BE USED FOR EXCAVATION ON THIS PROJECT THE CONTRACTOR MUST:
1) NOTIFY THE GAS COMPANY OF THE PROPOSED LOCATION OF EXCAVATION.
2) TAKE PRECAUTION TO AVOID DAMAGE TO GAS COMPANY INSTALLATIONS.
SEE PROVINCIAL REGULATION 210/72 FOR DETAILS

LOCATION APPROVED UNDERGROUND STRUCTURES
SUPV. U/G STRUCTURES COMMITTEE DATE
NOTE: LOCATION OF UNDERGROUND STRUCTURES AS SHOWN ARE BASED ON THE BEST INFORMATION AVAILABLE BUT NO GUARANTEE IS GIVEN THAT ALL EXISTING UTILITIES ARE SHOWN OR THAT THE GIVEN LOCATIONS ARE EXACT. CONFIRMATION OF EXISTENCE AND EXACT LOCATION OF ALL UTILITIES MUST BE OBTAINED FROM THE INDIVIDUAL UTILITIES BEFORE PROCEEDING WITH CONSTRUCTION.

B.M. ELEV.	NO.	REVISIONS	DATE	BY

DESIGNED BY	TGS	CHECKED BY	SC
DRAWN BY	BL	APPROVED BY	KZ
SCALE:	HORIZONTAL 1:250 VERTICAL 1:50	RELEASED FOR CONSTRUCTION	KAS ZUREK
DATE	2019 05 14	DATE	2019-05-13

ENGINEER'S SEAL
ORIGINAL SIGNED BY
S.R.J. COURNOYER
19/05/13
CONSULTANT DRAWING NUMBER

THE CITY OF WINNIPEG
WATER AND WASTE DEPARTMENT
ENGINEERING DIVISION
2019 WATER MAIN RENEWALS
CONTRACT 3
ST MARY'S ROAD
OUSTIC AVENUE E TO
6 N OF BERRYDALE AVENUE

SHEET 8 OF 14
CITY DRAWING NUMBER
D-15462