

FORM A: BID
(See B8)

1. Contract Title SUPPLY AND DELIVERY OF WHEEL LOADERS AND INDUSTRIAL TRACTOR LOADERS

2. Bidder

Name of Bidder

Usual Business Name of Bidder as it appears on Invoice (if different from above)

Street

City

Province

Postal Code

Email Address of Bidder

Facsimile Number

(Mailing address if different)

Street or P.O. Box

City

Province

Postal Code

GST Registration Number (if applicable)

The Bidder is:

(Choose one)

a sole proprietor

a partnership

a corporation

carrying on business under the above name.

3. Contact Person

The Bidder hereby authorizes the following contact person to represent the Bidder for purposes of the Bid.

Contact Person

Title

Telephone Number

Facsimile Number

Email Address

4. Definitions

All capitalized terms used in the Contract shall have the meanings ascribed to them in the General Conditions and D3.

5. Offer The Bidder hereby offers to perform the Work in accordance with the Contract for the price(s), in Canadian funds, set out on Form B: Prices, appended hereto.

6. Commencement of the Work The Bidder agrees that no Work shall commence until he/she is in receipt of a notice of award from the Award Authority authorizing the commencement of the Work.

7. Contract By submitting a bid in response to this Tender, the Bidder certifies that it has read, understands, and agrees to the terms and conditions of this Tender and that the Tender, in its entirety shall be deemed to be incorporated in and to form a part of this offer notwithstanding that not all parts thereof are necessarily attached to or accompany this Bid.

8. Addenda The Bidder certifies that the following addenda have been received and agrees that they shall be deemed to form a part of the Contract:

No.	Dated
_____	_____
_____	_____
_____	_____

9. Time This offer shall be open for acceptance, binding and irrevocable for a period of sixty (60) Calendar Days following the Submission Deadline.

10. Indigenous Self-Declaration The City is requesting that Bidders identify if their business is at least 51% owned by one or more Indigenous persons of Canada.

YES, 51% or more Indigenous ownership

NO, it is not

This information is being gathered for statistical purposes only and will not be used for purposes of evaluation.

11. Signatures

The Bidder or the Bidder's authorized official or officials have signed this

_____ day of _____, 20_____ .

Signature of Bidder or
Bidder's Authorized Official or Officials

(Print here name and official capacity of individual whose signature appears above)

(Print here name and official capacity of individual whose signature appears above)

FORM B: PRICES
(See B9)

SUPPLY AND DELIVERY OF WHEEL LOADERS AND INDUSTRIAL TRACTOR LOADERS

UNIT PRICES

ITEM NO.	SUB ITEM NO.	DESCRIPTION	SPEC. REF.	UNIT	QUANTITY	UNIT PRICE
SECTION A- Industrial Tractor Loader 74HP and Attachments						
1.		Industrial Tractor Loader 74HP	19010	Each	4	\$ _____
	1a.	Option 1: Attachments	19010	Each		
		3 Point Hitch			3	\$ _____
		Box Scraper			3	\$ _____
		General Material Bucket			3	\$ _____
		Snow Bucket			3	\$ _____
		Clam Bucket 4-in-1			3	\$ _____
		Pallet Forks			3	\$ _____
		Spare tire and rim front R4			3	\$ _____
	1b.	Option 2: Attachments	19010	Each		
		Rear Counter Balance Weight			1	\$ _____
		Clam Bucket 4-in-1			1	\$ _____
TOTAL BID PRICE –SECTION A						\$ _____
SECTION B- Front End Wheel Loader (4.25 yd³) and Attachments						
2.		Front End Wheel Loader (4.25 yd ³)	19012	Each	7	\$ _____
	2a.	Option 3: Attachments	19012	Each		
		General Purpose Bucket 4.25 yd ³			7	\$ _____
TOTAL BID PRICE –SECTION B						\$ _____

Name of Bidder

FORM N: DETAILED SPECIFICATIONS 19010
INDUSTRIAL TRACTOR LOADER (74HP) STRAIGHT FRAME

1.0 DESCRIPTION OF EQUIPMENT

- 1.1 These specifications describe an **Industrial Tractor Loader** and other equipment and features as specified herein.
- 1.2 The **Industrial Tractor Loader** shall be a new 2019 model year or newer.
- 1.3 The **Industrial Tractor Loader** and all other items/components shall be the manufacturer's latest model. The equipment shall be furnished complete and ready for operation. Any parts or accessories not specifically mentioned, but which are required to complete and place the equipment and associated attachments in successful operation shall be furnished as though specifically mentioned in these specifications. The equipment and associated attachments, and all parts thereof, shall conform in strength and quality of material and workmanship, to the best standards and engineering practice of the industry.
- 1.4 It will be the responsibility of the Bidder to inform the City of any errors or omissions in these specifications, for under this Contract the Contractor shall be held responsible for the satisfactory operational function of the equipment.

2.0 OTHER SPECIFICATIONS AND STANDARDS

- 2.1 All applicable SAE standards form an integral part of these specifications and shall have precedence in any conflict concerning minimum acceptable standards.
- 2.2 All applicable SAE standards form an integral part of these specifications and shall have precedence in any conflict concerning minimum acceptable standards.
- 2.2 The **Industrial Tractor Loader** shall comply with the applicable regulations:

Transport Canada, National Safety Mark, NSM:
<http://www.tc.gc.ca/eng/acts-regulations/acts-road.htm>

Manitoba Safety and Health Regulation, Parts 12, 16, 22:
<http://web2.gov.mb.ca/laws/regs/current/217.06.pdf>

Canadian Motor Vehicle Safety Standards C.M.V.S.S.
http://laws-lois.justice.gc.ca/eng/regulations/C.R.C.,_c._1038/section-sched3.html

Manitoba Highway Traffic Act regulations and requirements including, but not limited to, a Manitoba Government Inspection with Safety Sticker.
<http://web2.gov.mb.ca/laws/regs/index.php?act=h60>

Canadian Standards Association, CSA:
<http://www.csagroup.org/>

Under Writers of Canada, U/L:
<http://www.ulc.ca/>

Society of Automotive Engineers, SAE:
<http://www.sae.org/>

City of Winnipeg Lighting Visibility Standard:
<http://winnipeg.ca/matmgt/pdfs/PublicWorksEquipLightingVisibility.pdf>.

- 2.3 It will be the responsibility of the Bidder to inform the City of any deficiencies in these

specifications, for under this Contract the Contractor shall be held responsible for the design, performance, reliability and satisfactory operational function of the units.

3.0 SERVICE FACILITY

3.1 For the purpose of warranty repairs, the Bidder shall have an authorized service facility located within 10 km of the boundaries of the City of Winnipeg. The facility, or a portion thereof, shall be dedicated to the service and maintenance of the type equipment being offered. Further to B9.1, Bidders shall provide a description of the service facility including, but not limited to, number of qualified service staff, years of service experience, and general service capabilities within three (3) Business Days upon request of the Contract Administrator.

3.2 If a suitable warranty facility is not available within 10 km of the boundaries of the City of Winnipeg, the Bidder may propose that the City of Winnipeg Repair Facility perform warranty work. Any Work performed by the City of Winnipeg Repair Facility shall be charged to the Contractor at the Facility's shop rate in effect at the time the work is performed **(for example, shop rate for 2019: \$109.00/hour and \$154.00/hour for overtime and callout).**

3.3 Location of the service facility located within 10 km of the boundaries of the City of Winnipeg.

The Bidder shall choose and fill in one of the Clauses listed below. --- 3.4) or 3.5)

3.4 Bidder's own facility location. **State the location of the service facility below.**

3.5 Bidder elects to have warranty work be performed by the City of Winnipeg. Bidder shall provide all warranty authorization processes.

4.0 REFERENCES

4.1 Provide five (5) references where this equipment is used in a working environment where climatic conditions are similar to the City of Winnipeg.

5.0 MAKE & MODEL

5.1 **State** make, year and model of the equipment bid- _____

6.0 INSTRUCTIONS FOR COMPLETION OF SPECIFICATIONS

6.1 Each bid will be evaluated based on adherence to all terms, conditions and requirements outlined in the Bid Opportunity package.

6.2 All items in these specifications must be answered indicating compliance or non-compliance. **BIDDERS SHALL STATE "YES" FOR COMPLIANCE OR STATE DEVIATION**, or give reply where requested to do so. Deviations and/or equivalents shall be clearly stated and fully detailed.

Deviations and/or equivalents will be considered subject to evaluation. In every instance where a brand name or design specification is used, the City will also consider deviations and/or equivalents.

6.3 EACH BIDDER IS REQUIRED TO FILL IN EVERY BLANK. FAILURE TO DO SO MAY BE USED AS A BASIS FOR REJECTION OF BID

7.0 PERFORMANCE RELIABILITY

7.1 The responsibility for the design of the **Industrial Tractor Loader**, its performance and reliability shall rest upon the Contractor.

7.2 The term “repeated failures” as used herein is defined to mean that the same component, subassembly, or assembly develops repeated defects, breakdowns and/or malfunctions rendering the vehicle inoperative, or requiring repeated shop correction, service and/or replacement during the warranty period applicable for said component, subassembly, of assembly. Minor items or ordinary service adjustments are not included, or considered under the scope of “repeated failures”, as well as other factors, such as operational damage due to accidents, misuse or lack of proper maintenance, service and lubrication attention by not following the manufacturer’s preventative maintenance schedule.

7.3 Where the **Industrial Tractor Loader** develops “repeated failures” in service, the Contractor shall make any necessary engineering changes, repairs, alterations or modifications in order to guarantee reliability of performance.

7.4 The equipment shall be capable of consistent top performance in City of Winnipeg Environment. Note: The City of Winnipeg has four seasons with ambient temperatures ranging from approximately 90°F (32°C) to -40°F (-40°C)

8.0 FUEL

8.1 Where applicable, all equipment must be fully fueled upon delivery (no exceptions).

9.0 QUALIFICATIONS OF MANUFACTURER & CONTRACTOR

9.1 The manufacturer of the **Industrial Tractor Loader** shall have five (5) years continuous experience manufacturing the equipment.

9.2 The manufacturer shall have in effect a documented quality control program ensuring that the quality of materials and workmanship, including welding, conforms to the best standards and engineering practice of the industry.

9.3 The Contractor shall have five (5) years continuous experience servicing, repairing and maintaining **Industrial Tractor Loader** of the type being offered.

10.0 SPECIFICATIONS:

ENGINE

10.1	Engine make & model	State	_____
10.2	Engine specification	Diesel, Emissions Tier IV Diesel Interim or Final, must meet current Emission Standards.	_____
10.3	Horse Power	Approx. Net 74 hp. state.	_____

10.4	Torque	Net torque, state .	_____
10.5	Engine aspiration	State .	_____
10.6	Fuel shut off	Electric solenoid type.	_____
10.7	Fuel Filter	With water separator.	_____
10.8	Oil filter	Full flow, spin-on type.	_____
10.9	Air cleaner	Dry cartridge type with dash mounted restriction indicator.	_____
10.10	Throttle	Hand operated with foot override.	_____
10.11	Exhaust	Muffler, vertical discharge with bend and 40° cut-off (rain cap unacceptable)	_____
10.12	Coolant	Extended life, protected to -40°C.	_____
10.13	Engine block heater	Approx. 750 Watts.	_____
10.14	Cold weather starting aid	Glow plugs or air intake warmer, state type.	_____
10.15	Front radiator guard	Made from steel and painted, protects radiator from rocks and debris when using the front loader. Designed to permit servicing of radiator without being removed.	_____
10.16	Fuel tank	State capacity.	_____

ELECTRICAL/ LIGHTING/ SAFETY

10.17	Type	12-Volt, negative ground electrical system.	_____
10.18	Electric starter	With key starter switch.	_____
10.19	Batteries	Dual batteries, 1600CCA combined capacity.	_____
10.20	Battery disconnect switch (lockable)	Protected from the elements. Switch to be lockable with pad lock.	_____
10.21	Alternator	Approx. 100 Amp, state capacity.	_____
10.22	Combined stop and tail lights	Two (2).	_____
10.23	Signal lights with warning flashers	Two (2) front and two (2) rear.	_____
10.24	Warning flashers	Operable with key removed.	_____
10.25	Headlights	Two (2).	_____

10.26	Working lights	Front- four (4) front mounted, adjustable, located immediately below cab roof line.	_____
		Rear-four (4) rear mounted, adjustable, located immediately below the cab roof line.	_____
		Side-two (2) side mounted, located immediately below cab roof line.	_____
10.27	Light switches	Independent on/off switch for each pair of work lights, dash mounted and wired through ignition, labeled with permanent type, engraved style labels.	_____
10.28	Cab interior light	Interior light.	_____
10.29	Radio	AM/FM/CD or MP3.	_____
10.30	Radio installation provision	12 volt, 20Amp independent circuit available at a spare circuit breaker, suitable for installation of a 2-way mobile radio.	_____
10.31	Horn	Operable from driving position and from backhoe position.	_____
10.32	Safety lighting (beacon)	Make and Model: Whelen L31 Series Super-LED, SAE Class 1 Blue/Amber (individual control) beacon, 360 degree visibility. Wired through ignition, lights shall be wired for separate amber and separate blue labelled independently "winter", "off", "summer". The winter mode will turn on both blue and the summer will only turn on the amber lights.	_____
10.33	Flashing backup lighting	Make and model: Grote 77461or Whelen TIR3 (clear). Wired to flash when the unit is in reverse.	_____
10.34	Beacon guard	Ramped, heavy duty bolt-on metal guard, designed to permit servicing of beacon without being removed.	_____
10.35	Back-up alarm	97 dB, factory installed, mounted to be protected from damage.	_____

10.36 Wiring All locally installed accessories shall be color coded, loomed and properly secured. Splicing in any factory harness is unacceptable. All electrical power for locally supplied electrical components to be supplied from an OEM power distribution box. All joining of wires and electrical connectors shall be soldered and sealed with heat shrink tubing. All wiring for work lights and warning lights shall be supplied with no exposed wiring. _____

10.37 LED lighting All lighting LED, **state**. _____

10.38 Slow moving sign Grote 71152 with bracket mounted to rear of the unit. _____

TIRES, RIMS, FENDERS

10.39 Front tires Michelin or Bridgestone radial or bias, **state**. _____

10.40 Ply rating **State** ply rating. _____

10.41 Tread R4, industrial tractor. _____

10.42 Rear tires 19.5L x 24, Michelin or Bridgestone radial or bias, **state**. _____

10.43 Ply rating **State** ply rating. _____

10.44 Tread R4, industrial tractor. _____

10.45 Fenders Front and rear, rubber or polymer, **state**, material. _____

AXLES & BRAKES

10.46 Front axle Driven type (4WD) with guarded drive shaft (limited slip differential). _____

10.47 Rear axle Differential lock, push button activation. _____

10.48 Brakes Wet disk type with individual pedals simultaneous or independent operations. _____

10.49 Parking brake Foot or hand operated, **state** type. _____

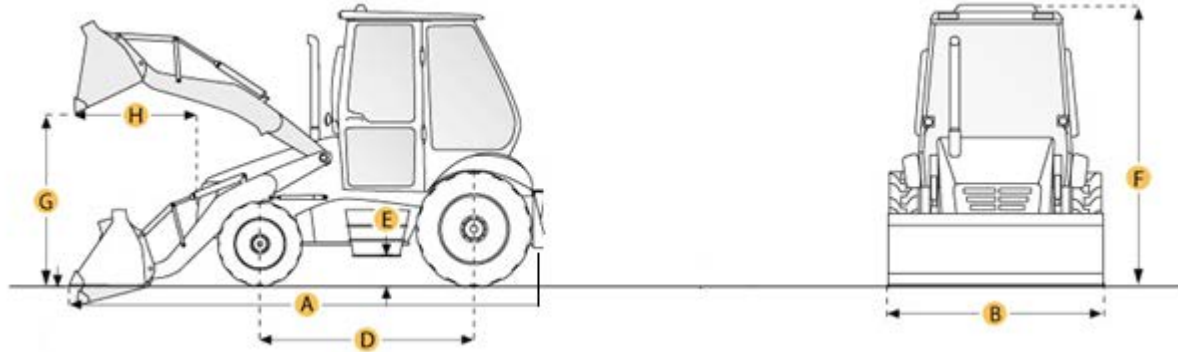
TRANSMISSION

10.50 Type Power-shift transmission with torque convertor, manual shift with power reverser preferred, **state**. _____

10.51 Shifting Fully synchronized. _____

10.52	Speeds forward	Four (4).	_____
10.53	Speeds reverse	Four (4).	_____
10.54	Power-shift	Direction reverser.	_____

DIMENSIONS



10.55	Overall transport length (A)	Approx. 16', state.	_____
10.56	Overall transport width (B)	Approx. 7', state.	_____
10.57	Wheelbase (D)	Approx. 84", state.	_____
10.58	Operating weight (as bid)	Approx. 11,500lbs, (without attachments) state weight.	_____
10.59	Ground clearance (E)	Approx. 12", state.	_____
10.60	Overall height (top of cab) (F)	Approx. 9', state.	_____
10.61	Turning radius	Curb clearance with brakes applied, state.	_____

FRONT END LOADER

10.62	Lift capacity, full height	Approx. 6,500lbs., state.	_____
10.63	Bucket breakout force	Approx. 9,000lbs., state.	_____
10.64	Dump clearance as bid (G)	Bucket @ 45° approx. 105 inches, state.	_____
10.65	Controls	Single lever with clutch disconnect button, return –to-dig and float.	_____
10.66	Self-levelling bucket	With level indicator.	_____
10.67	Wear plate (s)	Required to prevent bucket heel from rubbing on ground with bolt-on cutting edge in place.	_____
10.68	Lashing ring	Heavy duty, steel weld-on hook with spring mounted clasp, top-center mounted at front of loader bucket.	_____
10.69	Loader safety prop bar	Preferred.	_____

10.70	Hydraulic function	3 function hydraulics.	_____
10.71	Hydraulic quick attach	For loader buckets.	_____
10.72	OEM ride control	State.	_____

ATTACHMENTS

Note: Options to be priced only as indicated on Form B: Prices. Item 1 and Sub Item 1a. and 1b. will be awarded as a Section A.

Option 1: Attachments (Sub Item 1a). Three (3) Industrial Tractors Loaders will come with the following attachments

10.73	3 Point hitch	For Box scraper.	_____
10.74	Box scraper	Quick attach approx. 84" width with replaceable bolt-on cutting edges and scarifier. Weight approx. 1,500 lbs. State weight.	_____
10.75	General Material bucket	Approx. 82" width, with bolt-on cutting edge. Bucket is required to fit inside of a 90" wide dump box for loading purposes.	_____
10.76	Snow bucket	Approx. 93" width, 2.0 yd ³ capacity, state . With bolt-on cutting edge. Wear plates required to prevent bucket heel from rubbing on ground with bolt-on cutting edge in place. Width to exceed machine width at rear tires.	_____
10.77	Clam bucket	4 in 1 combination, with and bolt-on cutting edge. Approx. width 82" with 1.3 yd ³ capacity, state . Replaceable bolt-on cutting edges for all three edges of the bucket. Bucket is required to fit inside of a 90" wide dump box for loading purposes.	_____
10.78	Pallet forks	Carriage and fork set with 48" tines	_____
10.79	Spare tires	One (1) front R4 industrial tractor tire and rim.	_____

Option 2: Attachments (Sub Item 1b). One (1) Industrial Tractor loader will come with the following attachments.

10.80	Clam bucket	4 in 1 combination, with and bolt-on cutting edge. Approx. width 82" with 1.32 yd ³ capacity, state . Replaceable bolt-on cutting edges for all three edges of the bucket.	_____
-------	-------------	--	-------

10.81 Rear counter balance weight Quick attach, approx. 600lbs. OEM, factory installed, required to provide proper machine balance and loading characteristics. **State** weight of counterbalance. _____

GREASING SYSTEM

10.82 Greasing system NLGI-2 heavy-duty automatic lubrication system -System layout shall perform under the operating principles of a Parallel injection system (Progressive systems not acceptable). System shall be connected to all grease points, outfitted with automatic low level shut-off, with an in cab monitor showing system status such as low level, low pressure and/ or fault code display. _____

10.83 Pump reservoir
a) 6kg or larger pump reservoir and parameters preprogrammed required to accommodate 500 hour service intervals. Pump must have correct filler adapter fitting for City of Winnipeg maintenance staff to refill reservoir. _____
b) For safety reasons, access to refill the pump reservoir shall be via remote fill line of min. 3/8in. hose to accommodate a refill procedure at ground level. _____

10.84 Power input System power connection 24-Volt to ignition source with an accessible fuse protection and for greasing system to shut down completely when the engine is turned off. _____

10.85 Grease lines
a) Main grease lines: Extreme Low temperature (example: Eaton Areo Quip Match Mate Global Ice SAE 100R16) steel braided rubber hose with compatibility to accommodate max working pressure of 6000psi. Each hose on all connected points outfitted with #4 JIC crimped ends _____
b) Secondary grease lines: 3/16 in. nylon heavy wall secondary grease line or equivalent, and must be installed and protected from extreme environments such as heat sources and components producing vibration. _____
c) In extreme environment areas such as the lower machine articulator pin, and front bucket pins, heavy wall pipe must be fitted. _____

10.86 Thread sealant Applied to main and secondary grease lines of each fitting. _____

10.87 Greasing points
a) **State**, quantity of greasing points. _____
b) **State**, quantity of grease points that cannot be connected to the automatic lubrication system but will be connected with remote grease lines. Where remote lines are utilized, decals must be applied stating manual greasing is required with recommended grease application intervals. _____

10.88 Injector manifolds

All manifolds to be fitted with nylon lock nut hardware and securely mounted in an area away from debris impact. Special guards should be fitted for injector manifolds and hoses in areas of consistent debris impact, i.e., snow, ice, road spray, etc.

10.89 Environmental impact, over-greasing

The system layout and grease injector delivery shall not over-grease any component to the extent where OEM warranties are voided. In addition, environmental impact features shall be incorporated in the automatic lubrication system, i.e., no grease pumped while parked or leaving excessive grease on roadways.

OPERATOR CAB

10.90 Type-ROPS

Roll-over protective structure complete with pressurized cab, OSHA certified or equal.

10.91 Insulation and headliner

For sound suppression and severe weather/climate.

10.92 Floor covering

Rubber matting, throughout.

10.93 Seat

Cushioned, adjustable bucket type with arm rests, cloth upholstery air suspension with retractable seat belt.

10.94 Ride control

Factory installed.

10.95 All Windows

Tinted safety glass with appropriate markings for all panes and opening type where applicable.

10.96 Ignition keys

Three (3) sets required per machine.

10.97 Doors

One (1) each side with spring assisted strut, lockable with common key.

10.98 Interior rear-view mirror

Adjustable.

10.99 Exterior rear view mirrors

One (1) each side (left-right), adjustable.

10.100 Windshield wipers

Intermittent preferred, requires front and rear.

10.101 Heater/defroster

Heavy duty, hot water type with multi-speed fan, capable of keeping all windows clear at -40° C.

10.102 Window fans

Two (2) with guards.

10.103 Air conditioning

Factory installed with under hood compressor. (Note: roof mounted air conditioners are not acceptable).

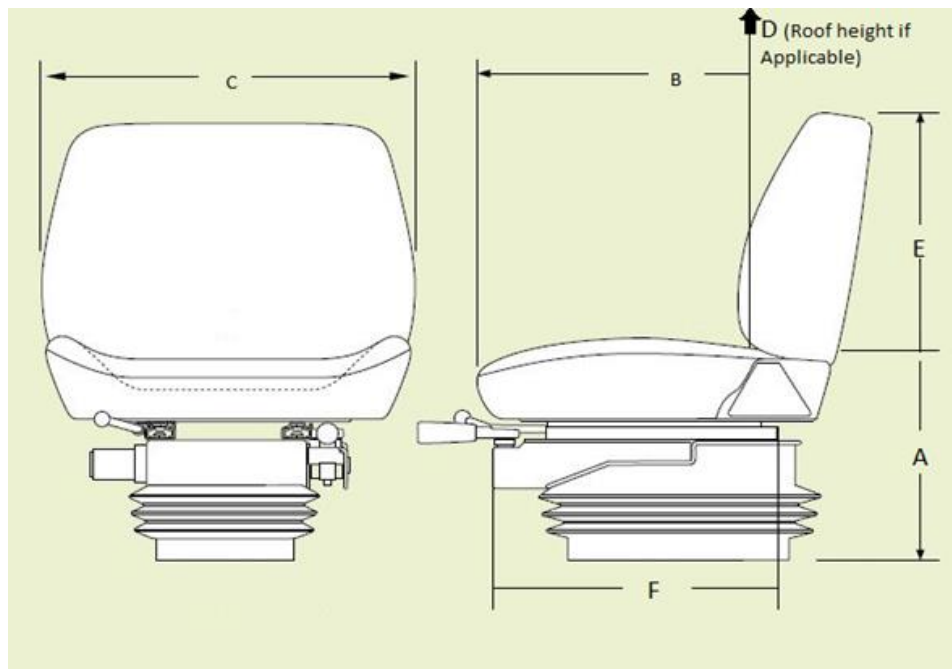
10.104	Steps	Open grate style.	_____
10.105	Toolbox	Lockable, state location.	_____
10.106	Instrumentation	Coolant temperature-gauge with audible alarm. Engine oil pressure-gauge or warning light with audible alarm. Engine hour meter-non resettable type. Tachometer. Fuel gauge.	_____
10.107	Noise Level, interior	85 dB(A), measured in accordance with SAE J336, state noise level.	_____
10.108	Fire extinguisher	Five (5) lbs. High volume ABC type, State location.	_____

11.0 **OPERATOR STATION ERGONOMICS**

Entry/ Exit

11.1	First step entry height	State , height of first step in inches.	_____
11.2	First handhold entry height	State , first handhold entry height in inches.	_____
11.3	Access to equipment	State , door opening height in inches.	_____
11.4	Access to equipment	State , door opening width in inches.	_____
11.5	Designed to prevent slipping	Anti-slip steps/handholds (Y or N)?	_____

Seat (use below diagram to answer questions)



11.6	Sitting height range from floor (where feet rest) (A)	State , seat height range in inches.	_____
------	---	---	-------

- | | | | |
|-------|--|---|-------|
| 11.7 | Seat length/depth (B) | State , seat length/depth in inches. | _____ |
| 11.8 | Seat width (C) | State , seat width in inches. | _____ |
| 11.9 | Cab height from seat to roof (if applicable) (D) | State , cab height range in inches. | _____ |
| 11.10 | Back rest height (E) | State , back rest height in inches. | _____ |
| 11.11 | Seat travel range (F) | State , seat travel in inches. | _____ |
| 11.12 | Lumbar support | Is lumbar support provided (Y or N)? | _____ |
| 11.13 | Head rest | Is head rest provided (Y or N)? | _____ |
| 11.14 | Seat is made of breathable material | State , type of seat material. | _____ |

Operation

- | | | | |
|-------|--|--|-------|
| 11.15 | Reaching distance to usual work | State , reaching distance in inches. | _____ |
| 11.16 | Maximum reaching distance | State , maximum reach distance in inches. | _____ |
| 11.17 | Adjustable pedals (accelerator/brake/clutch) | Are pedals adjustable (Y or N)? | _____ |
| 11.18 | Adjustable steering wheel | Is steering wheel adjustable (Y or N)? | _____ |
| 11.19 | Adjustable shoulder belt | Is belt adjustable and anchored (Y or N)? | _____ |

Cargo Area

- | | | | |
|-------|-------------------------------------|---------------------------------------|-------|
| 11.20 | Lid opens to provide adequate space | Lid opens to provide adequate space | _____ |
| 11.21 | Loading height | State , trunk height in inches | _____ |

Environment

- | | | | |
|-------|--|---|-------|
| 11.22 | Operator compartment is insulated from equipment noise (while operating) | State , dBA inside cab while operating | _____ |
| 11.23 | Operator insulated from equipment vibration | Is operator insulated from vibration (Y or N)? | _____ |
| 11.24 | Heating/cooling systems | State , cab temperature range | _____ |
| 11.25 | Cab lighting | State , lumens inside cab | _____ |

12.0 **WARRANTY**

- | | | | |
|------|---|---------------------|-------|
| 12.1 | All warranty information shall be detailed and include all exclusions. The Contractor shall provide all published warranty information upon delivery of the equipment. Bidder shall state all warranty information. | | _____ |
| 12.2 | Basic coverage | State: _____ | _____ |

- 12.3 Power train **State:** _____
- 12.4 Hydraulics warranty **State:** _____
- 12.5 Batteries warranty **State:** _____
- 12.6 Tires warranty **State:** _____
- 12.7 Electrical warranty **State:** _____
- 12.8 Greasing System **State:** _____

13.0 **DELIVERY**

- 13.1 Delivery Point: The complete unit shall be serviced, ready for operation and delivered F.O.B. with the freight prepaid, including invoice and N.I.V.S. (if applicable) to the WFMA 185 Tecumseh Street, Winnipeg MB. The successful bidder shall be notified by the Contractor Administrator the delivery address prior to issuance of the purchase order. _____
- 13.2 Delivery Time: **Twelve (12) calendar weeks** from the date of award. Equipment shall be delivered between 8:00 am and 2:00 pm on Business Days. _____
- 13.3 Delivery Contact: The Contractor shall contact the Contract Administrator prior to delivery of the equipment. _____
- 13.4 P.D.I: A pre-delivery inspection shall be performed by the Contractor on the equipment. Proof upon inspection including completed check list _____

14.0 **MANUALS**

- 14.1 Manuals supplied under this contract shall cover the complete equipment including all components thereof, CD or USB flash drive is preferred where available. _____
- 14.2 The following manuals shall be supplied with the units when delivered:
 - a) Operator's manual – Two (2) per unit (one operator manual shall be sent to the Equipment Operator Training Branch _____
 - b) Parts and service manuals – one (1) complete sets including preventative maintenance schedules. CDs or USB flash drive are preferred. _____

15.0 **FIRST SERVICE PREVENTATIVE MAINTENANCE KIT**

- 15.1 In order to assure minimum downtime of the equipment in future service, the Contractor shall provide one (1) complete replacement set of new OEM filters for each unit purchased. The set of required filters shall include (if applicable to the equipment type) air, fuel, oil, cab and hydraulic, or otherwise all known necessary common replacement filters required for the first preventative maintenance servicing. _____
- 15.2 The Contractor shall provide a list of factory recommended lubricants to be used with the equipment, as well as a complete cross reference guide for all warranty approved lubricants and filters that can be used during preventative maintenance servicing. _____

16.0 **PARTS/LABOUR PRICING**

16.1 Bidder to provide City of Winnipeg Parts Discount % Pricing from retail parts pricing. **State percentage discount-** %_____

16.2 Bidder to provide City of Winnipeg Labor Discount % Pricing from Retail shop labor rate. **State percentage discount-** %_____

FORM N: DETAILED SPECIFICATIONS 19012
FRONT END WHEEL LOADER (4.25 YD³)

1.0 DESCRIPTION OF EQUIPMENT

- 1.1 These specifications describe a **Front End Wheel Loader** and other equipment and features as specified herein.
- 1.2 The **Front End Wheel Loader** shall be a new 2019 model year or newer.
- 1.3 Shall be capable of consistent top performance for construction activities, **SNOW REMOVAL WORK UTILIZING A LARGE D60 FRONT MOUNTED SNOW BLOWER** and other miscellaneous functions such as ground, boulevard and parkland maintenance during the summer and winter environment, which is normal to the City of Winnipeg.
- 1.4 The **Front End Wheel Loader** and all other items/components shall be the manufacturer's latest model. The equipment shall be furnished complete and ready for operation. Any parts or accessories not specifically mentioned, but which are required to complete and place the equipment and associated attachments in successful operation shall be furnished as though specifically mentioned in these specifications. The equipment and associated attachments, and all parts thereof, shall conform in strength and quality of material and workmanship, to the best standards and engineering practice of the industry.
- 1.5 It will be the responsibility of the Bidder to inform the City of any errors or omissions in these specifications, for under this Contract the Contractor shall be held responsible for the satisfactory operational function of the equipment.

2.0 OTHER SPECIFICATIONS AND STANDARDS

- 2.1 All applicable SAE standards form an integral part of these specifications and shall have precedence in any conflict concerning minimum acceptable standards.
- 2.2 The **Front End Wheel Loader** shall comply with the applicable regulations:

Transport Canada, National Safety Mark, NSM:
<http://www.tc.gc.ca/eng/acts-regulations/acts-road.htm>

Manitoba Safety and Health Regulation, Parts 12, 16, 22:
<http://web2.gov.mb.ca/laws/reg/current/217.06.pdf>

Canadian Motor Vehicle Safety Standards C.M.V.S.S.
<http://laws-lois.justice.gc.ca/eng/regulations/C.R.C., c. 1038/section-sched3.html>

Manitoba Highway Traffic Act regulations and requirements including, but not limited to, a Manitoba Government Inspection with Safety Sticker.
<http://web2.gov.mb.ca/laws/reg/index.php?act=h60>

Canadian Standards Association, CSA:
<http://www.csagroup.org/>

Under Writers of Canada, U/L:
<http://www.ulc.ca/>

Society of Automotive Engineers, SAE:
<http://www.sae.org/>

City of Winnipeg Lighting Visibility Standard:
<http://winnipeg.ca/matmgt/pdfs/PublicWorksEquipLightingVisibility.pdf>.

- 2.3 It will be the responsibility of the Bidder to inform the City of any deficiencies in these specifications, for under this Contract the Contractor shall be held responsible for the design, performance, reliability and satisfactory operational function of the units.

3.0 SERVICE FACILITY

- 3.1 For the purpose of warranty repairs, the Bidder shall have an authorized service facility located within 10 km of the boundaries of the City of Winnipeg. The facility, or a portion thereof, shall be dedicated to the service and maintenance of the type equipment being offered. Further to B9.1, Bidders shall provide a description of the service facility including, but not limited to, number of qualified service staff, years of service experience, and general service capabilities within three (3) Business Days upon request of the Contract Administrator.

- 3.2 If a suitable warranty facility is not available within 10 km of the boundaries of the City of Winnipeg, the Bidder may propose that the City of Winnipeg Repair Facility perform warranty work. Any Work performed by the City of Winnipeg Repair Facility shall be charged to the Contractor at the Facility's shop rate in effect at the time the work is performed **(for example, shop rate for 2019: \$109.00/hour and \$154.00/hour for overtime and callout).**

- 3.3 Location of the service facility located within 10 km of the boundaries of the City of Winnipeg.

The Bidder shall choose and fill in one of the Clauses listed below. --- 3.4) or 3.5)

- 3.4 Bidder's own facility location. **State the location of the service facility below.**

- 3.5 Bidder elects to have warranty work be performed by the City of Winnipeg. Bidder shall provide all warranty authorization processes.

4.0 REFERENCES

- 4.1 Provide five (5) references where this equipment is used in a working environment where climatic conditions are similar to the City of Winnipeg.

5.0 MAKE & MODEL

- 5.1 **State** make, year and model of the equipment bid- _____

6.0 INSTRUCTIONS FOR COMPLETION OF SPECIFICATIONS

- 6.1 Each bid will be evaluated based on adherence to all terms, conditions and requirements outlined in the Bid Opportunity package.

- 6.2 All items in these specifications must be answered indicating compliance or non-compliance. **BIDDERS SHALL STATE "YES" FOR COMPLIANCE OR STATE DEVIATION**, or give reply where requested to do so. Deviations and/or equivalents shall be clearly stated and fully detailed.

Deviations and/or equivalents will be considered subject to evaluation. In every instance where a brand name or design specification is used, the City will also consider deviations and/or equivalents.

6.3 EACH BIDDER IS REQUIRED TO FILL IN EVERY BLANK. FAILURE TO DO SO MAY BE USED AS A BASIS FOR REJECTION OF BID

7.0 PERFORMANCE RELIABILITY

7.1 The responsibility for the design of the **Front End Wheel Loader**, its performance and reliability shall rest upon the Contractor.

7.2 The term “repeated failures” as used herein is defined to mean that the same component, subassembly, or assembly develops repeated defects, breakdowns and/or malfunctions rendering the vehicle inoperative, or requiring repeated shop correction, service and/or replacement during the warranty period applicable for said component, subassembly, of assembly. Minor items or ordinary service adjustments are not included, or considered under the scope of “repeated failures”, as well as other factors, such as operational damage due to accidents, misuse or lack of proper maintenance, service and lubrication attention by not following the manufacturer’s preventative maintenance schedule.

7.3 Where the **Front End Wheel Loader** develops “repeated failures” in service, the Contractor shall make any necessary engineering changes, repairs, alterations or modifications in order to guarantee reliability of performance.

7.4 The equipment shall be capable of consistent top performance in City of Winnipeg Environment. Note: The City of Winnipeg has four seasons with ambient temperatures ranging from approximately 90°F (32°C) to -40°F (-40°C)

8.0 FUEL

8.1 Where applicable, all equipment must be fully fueled upon delivery (no exceptions).

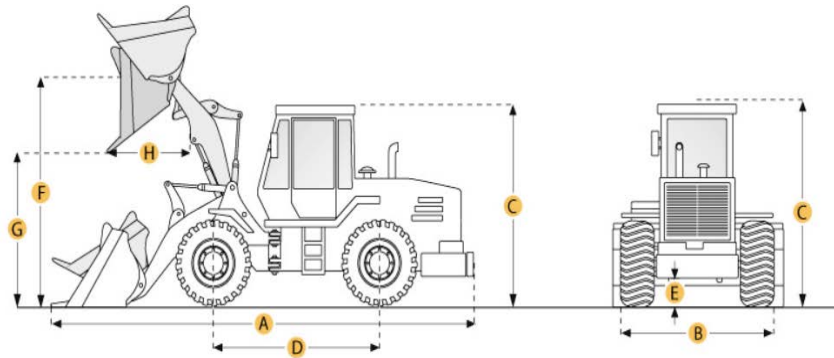
9.0 QUALIFICATIONS OF MANUFACTURER & CONTRACTOR

9.1 The manufacturer of the **Front End Wheel Loader** shall have five (5) years continuous experience manufacturing the equipment.

9.2 The manufacturer shall have in effect a documented quality control program ensuring that the quality of materials and workmanship, including welding, conforms to the best standards and engineering practice of the industry.

9.3 The Contractor shall have five (5) years continuous experience servicing, repairing and maintaining **Front End Wheel Loader** of the type being offered.

10.0 **SPECIFICATIONS:**



DIMENSIONS

10.1	Loader type	Articulating.	_____
10.2	Overall transport length (A)	State.	_____
10.3	Width: over tires (B)	State.	_____
10.4	Overall height (top of cab) (C)	State.	_____
10.5	Wheelbase (D)	State.	_____
10.6	Ground clearance (E)	State.	_____
10.7	Hinge pin height (F)	State.	_____
10.8	Dump clearance at max raise at 45° (G)	State.	_____
10.9	Reach at max lift and dump 45°(H)	State.	_____
10.10	Operating weight (as bid)	Approx. 42,000 – 43,000 lbs., state weight.	_____

ENGINE

10.11	Engine make & model	State.	_____
10.12	Engine specification	Diesel, Emissions Tier IV Final, must meet current Emission Standards.	_____
10.13	Horse power	Approx. Net 200-235HP, state.	_____
10.14	Torque	Net torque, approx. 750 lb-ft, state.	_____
10.15	Engine aspiration	State.	_____
10.16	Fuel shut off	Electric solenoid type.	_____
10.17	Fuel Filter	With water separator.	_____
10.18	Oil filter	Full flow, spin-on type.	_____
10.19	Air cleaner	Dry two-stage cartridge type with restriction indicator and pre-cleaner.	_____
10.20	Throttle	Hand operated with foot override.	_____

10.21	Exhaust	Muffler with exhaust pipe, vertical discharge with bend and 40° cut-off (rain cap unacceptable).	_____
10.22	Coolant	Extended life, protected to -40° C.	_____
10.23	Engine block heater	Approx. 1000 Watts, 120V.	_____
10.24	Cold weather starting aid	Glow plugs or air intake warmer, state type.	_____
10.25	Automatic De-rating or equivalent for exceeding system parameters	Shall provide visual and audible warning of principal machine systems including engine oil pressure, low fuel pressure and coolant temperature. Shall provide the ability for the operator to move the machine to a safe location where the machine will not pose a threat to the operator or the public. OEM approved only.	_____
10.26	Programmable anti-idling system	For carbon emission, reduction/fuel consumption.	_____
10.27	Oil sampling valves	For engine, transmission and hydraulic system.	_____
10.28	Engine side covers	Hinged (if lockable, all locks must be keyed alike).	_____
10.29	Fuel tank	State capacity.	_____
<u>ELECTRICAL/ LIGHTING/ SAFETY</u>			
10.30	Type	24-Volt, negative ground electrical system.	_____
10.31	Electric starter	With key starter switch.	_____
10.32	Starter switch	Key type or keyless type with security code, state .	_____
10.33	Batteries	Dual batteries, 2000 CCA combined capacity.	_____
10.34	Battery disconnect switch (lockable)	Protected from the elements. Switch to be lockable with pad lock.	_____
10.35	Alternator	Approx. 120 Amp, state capacity.	_____
10.36	Combined stop and tail lights	Two (2). LED.	_____
10.37	Signal lights with warning flashers	Two (2) front and two (2) rear, LED.	_____
10.38	Warning flashers	Operable with key removed.	_____
10.39	Headlights	Two (2).	_____

10.40	Working lights (heavy duty)	a) Front- two (2) front mounted, adjustable, mounted near to pivot of loader lift arm.	_____
		b) Rear-two (2) rear mounted, adjustable.	_____
10.41	Light switches	Independent on/off switch for each pair of work lights, dash mounted, wired through ignition, labeled with permanent type, engraved style labels.	_____
10.42	Cab interior light	Interior light.	_____
10.43	Radio	AM/FM/CD or MP3.	_____
10.44	Radio installation provision	12 volt, 20Amp spate/independent circuit available at a spare circuit breaker, suitable for installation of a 2-way mobile radio.	_____
10.45	Horn	Operable from driving position.	_____
10.46	Safety lighting	Make and Model: Whelen L31 Series Super-LED, SAE Class 1 Blue/Amber (individual control) beacon, 360 degree visibility. Wired through ignition, lights shall be wired for separate amber and separate blue labelled independently "winter", "off", "summer". The winter mode will turn on both blue and the summer will only turn on the amber lights.	_____
10.47	Beacon guard	Ramped, heavy duty bolt-on metal guard, designed to permit servicing of beacon without being removed.	_____
10.48	Full set of Manitoba Highways provincially approved highway lights (wigwag lights).	Located top rear of the cab roof flush mount. Make and model: Whelen TIR3 Independently controlled through a separate switch. Highway lights not to extend past cab. Independent control for blue/amber and amber only.	_____
10.49	Back-up alarm	97 dB, factory installed, mounted to be protected from damage.	_____

10.50	Wiring	a) All locally installed accessories shall be color coded, loomed and properly secured. Splicing in any factory harness is unacceptable. All electrical power for locally supplied electrical components to be supplied from an OEM power distribution box.	_____
		b) All joining of wires and electrical connectors shall be soldered and sealed with heat shrink tubing. All wiring for work lights and warning lights shall be supplied with no exposed wiring.	_____
10.51	LED lighting	All lighting LED, state .	_____
10.52	Slow moving sign	Grote 71152 or equivalent with bracket mounted to rear.	_____

TIRES, RIMS, FENDERS

10.53	Tires	Tire appropriate for use on streets with thicker hard cut resistant rubber.	_____
10.54	Tread	Snow design style tread, front and rear.	_____
10.55	Tire size	Approx. 23.5R25 L3, state size.	_____
10.56	Make and model of tires	State .	_____
10.57	Rims	3-piece design.	_____
10.58	Fenders	Front and rear, rubber or polymer, with anti-skid tape on step surfaces where applicable. State , material.	_____

AXLES, STEERING & BRAKES

10.59	Front axle	Electronic or hydraulic locking differential, State type.	_____
10.60	Rear axle	Electronic or hydraulic locking differential, State type.	_____
10.61	Rear axle	Semi-floating or oscillating rear axle	_____
10.62	Differential drain plugs	Magnetic.	_____
10.63	Brakes	4-wheel, hydraulic operated wet disk type.	_____
10.64	Parking brake	Spring applied and hydraulically released.	_____
10.65	Two control pedals	Accelerator pedal. Dual purpose pedal: transmission disconnect with braking.	_____

10.66	Steering	Articulated with approx. 35° articulations left and right of center, state.	_____
10.67	Articulating center pin components	State type.	_____
10.68	Operational Steering and Articulating Requirements	a) Steering and Articulation of the machine must be smooth, controlled and continuous, fully raised and loaded at engine idle speed. b) Steering wheel movement must be smooth, controlled and continuous fully raised and loaded engine speed. There shall be no erratic, pulsating or jerking movement of the steering wheel. c) Steering equipped with neutralizer valves or equivalent to prevent frame to frame contact at full articulation.	_____ _____ _____
10.69	Steering frame lock	Required.	_____

TRANSMISSION

10.70	Type	Shall have the capability of allowing the operator to select either automatic or manual shifting.	_____
10.71	Shift control	Single lever.	_____
10.72	Speeds forward	State number of speeds.	_____
10.73	Speeds reverse	State number of speeds.	_____
10.74	Power-shift	Shall have the capability of full power shift with torque converter.	_____

FRONT END LOADER

10.75	Breakout Force (required for LARUE D60 front mount snow blower)	Approx. 33,000 lbs. State.	_____
10.76	Tipping load straight (required for LARUE D60 front mount snow blower)	Approx. 30,000 lbs. State.	_____
10.77	Tipping load 40° turn (required for LARUE D60 front mount snow blower)	Approx. 26,000 lbs. State.	_____
10.78	Dumping clearance 45°	Approx. full height approx. 11ft.	_____
10.79	Hinge pin height fully raise	Approx. 13ft.	_____

10.80	Loader Controls	One dual function lever that provides lift and curl of the bucket. Automatic return-to-carry.	_____
10.81	Self-levelling bucket	With level indicator.	_____
10.82	Boom height control (kick-out)	Automatic, adjustable.	_____
10.83	Ride control system	OEM system, ride control system shall be of the type that automatically engages or disengages, dependent on the machines ground speed.	_____
10.84	Safety prop bar (if available)	OEM approved.	_____
10.85	Hydraulic fluid level indicator	Required.	_____
10.86	Auxiliary hydraulics	For attachment growth, 3 rd function valve.	_____

10.87 Hydraulic quick coupler:

Welco Beales Quick Coupler (no substitutes) required for existing city attachment(s) including **LARUE D60 Loader mounted snow blowers**.

Example of coupler on current City owned wheel loaders (Assembly no. 130-412-0480).



ATTACHMENTS

Note: Options to be priced only as indicated on Form B: Prices. Item 2 and Sub Item 2a. will be awarded as a Section B.

Note: Option 3: Attachments (Sub Item 2a.)

- 10.88 General purpose bucket
- a) General Purpose (4.25 yd³) WBM Quick Coupler hook on bucket with bolt on cutting edge. Bucket width to exceed machine width at tires. _____
 - b) Cutting edge - bolt-on, heat treated steel, 1, 2 or 3 piece reversible blade acceptable, full width of bucket x 12 inch deep, Bucyrus or equal. _____
 - c) Bottom wear plates - required to prevent bucket heel from rubbing on ground with bolt-on cutting edge in place. _____
 - d) Side wear plates - bolt-on, replaceable, Bucyrus or equal. _____

GREASING SYSTEM

- 10.89 Greasing system
- NLGI-2 heavy-duty automatic lubrication system -System layout shall perform under the operating principles of a Parallel injection system (Progressive systems not acceptable). System shall be connected to all grease points, outfitted with automatic low level shut-off, with an in cab monitor showing system status such as low level, low pressure and/ or fault code display. _____
- 10.90 Pump reservoir
- a) 8kg or larger pump reservoir and parameters preprogrammed required to accommodate 500 hour service intervals. Pump must have correct filler adapter fitting for City of Winnipeg maintenance staff to refill reservoir. _____
 - b) For safety reasons, access to refill the pump reservoir shall be via remote fill line of min. 3/8 in. hose to accommodate a refill procedure at ground level. _____
- 10.91 Power input
- System power connection 24-Volt to ignition source with an accessible fuse protection and for greasing system to shut down completely when the engine is turned off. _____
- 10.92 Grease lines
- a) Main grease lines: Extreme Low temperature (example: Eaton Areo Quip Match Mate Global Ice SAE 100R16) steel braided rubber hose with compatibility to accommodate max working pressure of 6000psi. Each hose on all connected points outfitted with #4 JIC crimped ends _____
 - b) Secondary grease lines: 3/16 in. nylon heavy wall secondary grease line or equivalent, and must be installed and protected from extreme environments such as heat sources and components producing vibration. _____
 - c) In extreme environment areas such as the lower machine articulator pin, and front bucket pins, heavy wall pipe must be fitted. _____
- 10.93 Thread sealant
- Applied to main and secondary grease lines of each fitting. _____

10.94 Greasing points

a) **State**, quantity of greasing points. _____

b) **State**, quantity of grease points that cannot be connected to the automatic lubrication system but will be connected with remote grease lines. Where remote lines are utilized, decals must be applied stating manual greasing is required with recommended grease application intervals. _____

10.95 Injector manifolds

All manifolds to be fitted with nylon lock nut hardware and securely mounted in an area away from debris impact. Special guards should be fitted for injector manifolds and hoses in areas of consistent debris impact, i.e., snow, ice, road spray, etc. _____

10.96 Environmental impact, over-greasing

The system layout and grease injector delivery shall not over-grease any component to the extent where OEM warranties are voided. In addition, environmental impact features shall be incorporated in the automatic lubrication system, i.e., no grease pumped while parked or leaving excessive grease on roadways. _____

OPERATOR CAB

10.97 Type-ROPS

Roll-over protective structure complete with pressurized cab, OSHA certified or equal _____

10.98 Insulation and headliner

For sound suppression and severe weather/climate. _____

10.99 Floor covering

Rubber matting, throughout. _____

10.100 Seat

Cushioned, adjustable bucket type with arm rests, cloth upholstery air suspension with retractable seat belt. _____

10.101 All Windows

Tinted safety glass with appropriate markings for all panes and opening type where applicable. _____

10.102 Ignition keys

Three (3) sets required per machine. _____

10.103 Left and right doors

Lockable with common key. Door/window shall latch in fully opened position Complete with a full length ladder to provide safe exit if required. _____

10.104 Anti-theft system

OEM installed. _____

10.105 Interior rear-view mirror

Adjustable. _____

10.106 Exterior rear view mirrors

One (1) each side. Heated with remote electric adjusting. _____

10.107	Windshield wipers	Intermittent preferred, requires front and rear.	_____
10.108	Windshield washers	Front and rear.	_____
10.109	Heater/defroster/pressurizer	Heavy duty, hot water type with multi-speed fan and filtered air intake capable of keeping all windows clear at -40° C.	_____
10.110	Steering wheel	Tilt type.	_____
10.111	Air conditioning	Factory installed with under hood compressor. (Note: roof mounted air conditioners are not acceptable).	_____
10.112	Steps	Open grate style.	_____
10.113	Toolbox	Lockable, state location.	_____
10.114	Instrumentation	Coolant temperature-gauge with audible alarm. Engine oil pressure- gauge or warning light with audible alarm. Engine hour meter-non resettable type. Tachometer. Fuel gauge.	_____
10.115	Sun shades	Front and rear fold down style.	_____
10.116	Rear view camera	OEM installed with guard protection to minimize damage risk.	_____
10.117	Steps and hand rails	To provide access to windshield.	_____
10.118	Self-cleaning steps	For safe entry and exit.	_____
10.119	Noise Level, interior	85 dB(A), measured in accordance with SAE J336, state noise level.	_____
10.120	Fire extinguisher	Ten (10) lbs. High volume ABC type, State location.	_____

MISCELLANEOUS

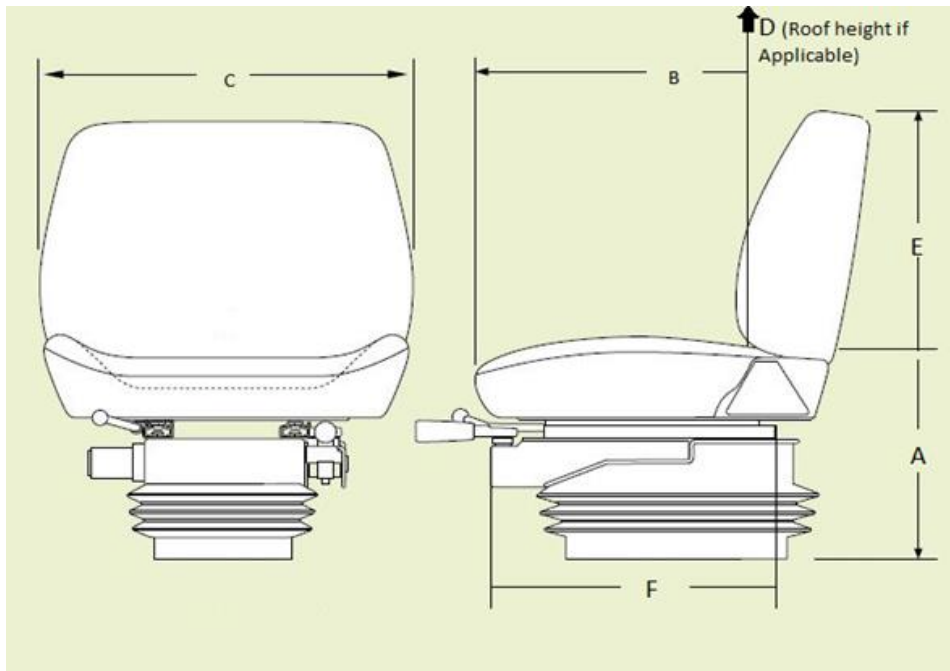
10.121	Rear bumper/counter with Drawbar hitch with pin		_____
--------	---	--	-------

11.0 OPERATOR STATION ERGONOMICS

Entry/ Exit

11.1	First step entry height	State , height of first step in inches.	_____
11.2	First handhold entry height	State , first handhold entry height in inches.	_____
11.3	Access to equipment	State , door opening height in inches.	_____
11.4	Access to equipment	State , door opening width in inches.	_____
11.5	Designed to prevent slipping	Anti-slip steps/handholds (Y or N)?	_____

Seat (use below diagram to answer questions)



- | | | | |
|-------|---|---|-------|
| 11.6 | Sitting height range from floor (where feet rest) (A) | State , seat height range in inches. | _____ |
| 11.7 | Seat length/depth (B) | State , seat length/depth in inches. | _____ |
| 11.8 | Seat width (C) | State , seat width in inches. | _____ |
| 11.9 | Cab height from seat to roof (if applicable) (D) | State , cab height range in inches. | _____ |
| 11.10 | Back rest height (E) | State , back rest height in inches. | _____ |
| 11.11 | Seat travel range (F) | State , seat travel in inches. | _____ |
| 11.12 | Lumbar support | Is lumbar support provided (Y or N)? | _____ |
| 11.13 | Head rest | Is head rest provided (Y or N)? | _____ |
| 11.14 | Seat is made of breathable material | State , type of seat material. | _____ |

Operation

- | | | | |
|-------|--|--|-------|
| 11.15 | Reaching distance to usual work | State , reaching distance in inches. | _____ |
| 11.16 | Maximum reaching distance | State , maximum reach distance in inches. | _____ |
| 11.17 | Adjustable pedals (accelerator/brake/clutch) | Are pedals adjustable (Y or N)? | _____ |
| 11.18 | Adjustable steering wheel | Is steering wheel adjustable (Y or N)? | _____ |
| 11.19 | Adjustable shoulder belt | Is belt adjustable and anchored (Y or N)? | _____ |

12.0 **WARRANTY**

12.1 All warranty information shall be detailed and include all exclusions. The successful bidder shall provide all published warranty information upon delivery of the equipment. Bidder shall state all warranty information. _____

12.2 Basic coverage **State:** _____

12.3 Power train **State:** _____

12.4 Hydraulics warranty **State:** _____

12.5 Batteries warranty **State:** _____

12.6 Tires warranty **State:** _____

12.7 Electrical warranty **State:** _____

12.8 Cab structure/corrosion **State:** _____

12.9 Greasing System **State:** _____

13.0 **DELIVERY**

13.1 Delivery Point: The complete unit shall be serviced, ready for operation and delivered F.O.B. with the freight prepaid, including invoice and N.I.V.S. (if applicable) to the WFMA 185 Tecumseh Street, Winnipeg MB. The successful bidder shall be notified by the Contractor Administrator the delivery address prior to issuance of the purchase order. _____

13.2 Delivery Time: **Twelve (12) calendar weeks** from the date of award. Equipment shall be delivered between 8:00 am and 2:00 pm on Business Days. _____

13.3 Delivery Contact: The Contractor shall contact the Contract Administrator prior to delivery of the equipment. _____

13.4 P.D.I: A pre-delivery inspection shall be performed by the Contractor on the equipment. Proof upon inspection including completed check list. _____

14.0 **MANUALS**

14.1 Manuals supplied under this contract shall cover the complete equipment including all components thereof, CD or USB flash drive is preferred where available. _____

14.2 The following manuals shall be supplied with the units when delivered:

a) Operator's manual – Two (2) per unit (one operator manual shall be sent to the Equipment Operator Training Branch _____

b) Parts and service manuals – one (1) complete sets including preventative maintenance schedules. CDs or USB flash drive are preferred. _____

15.0 **FIRST SERVICE PREVENTATIVE MAINTENANCE KIT**

15.1 In order to assure minimum downtime of the equipment in future service, the Contractor shall provide one (1) complete replacement set of new OEM filters for each unit purchased. The set of required filters shall include (if applicable to the equipment type) air, fuel, oil, cab and hydraulic, or otherwise all known necessary common replacement filters required for the first preventative maintenance servicing. _____

15.2 The Contractor shall provide a list of factory recommended lubricants to be used with the equipment, as well as a complete cross reference guide for all warranty approved lubricants and filters that can be used during preventative maintenance servicing. _____

16.0 **PARTS/LABOUR PRICING**

16.1 Bidder to provide City of Winnipeg Parts Discount % Pricing from retail parts pricing. **State percentage discount-** _____

16.2 Bidder to provide City of Winnipeg Labor Discount % Pricing from Retail shop labor rate. **State percentage discount-** _____