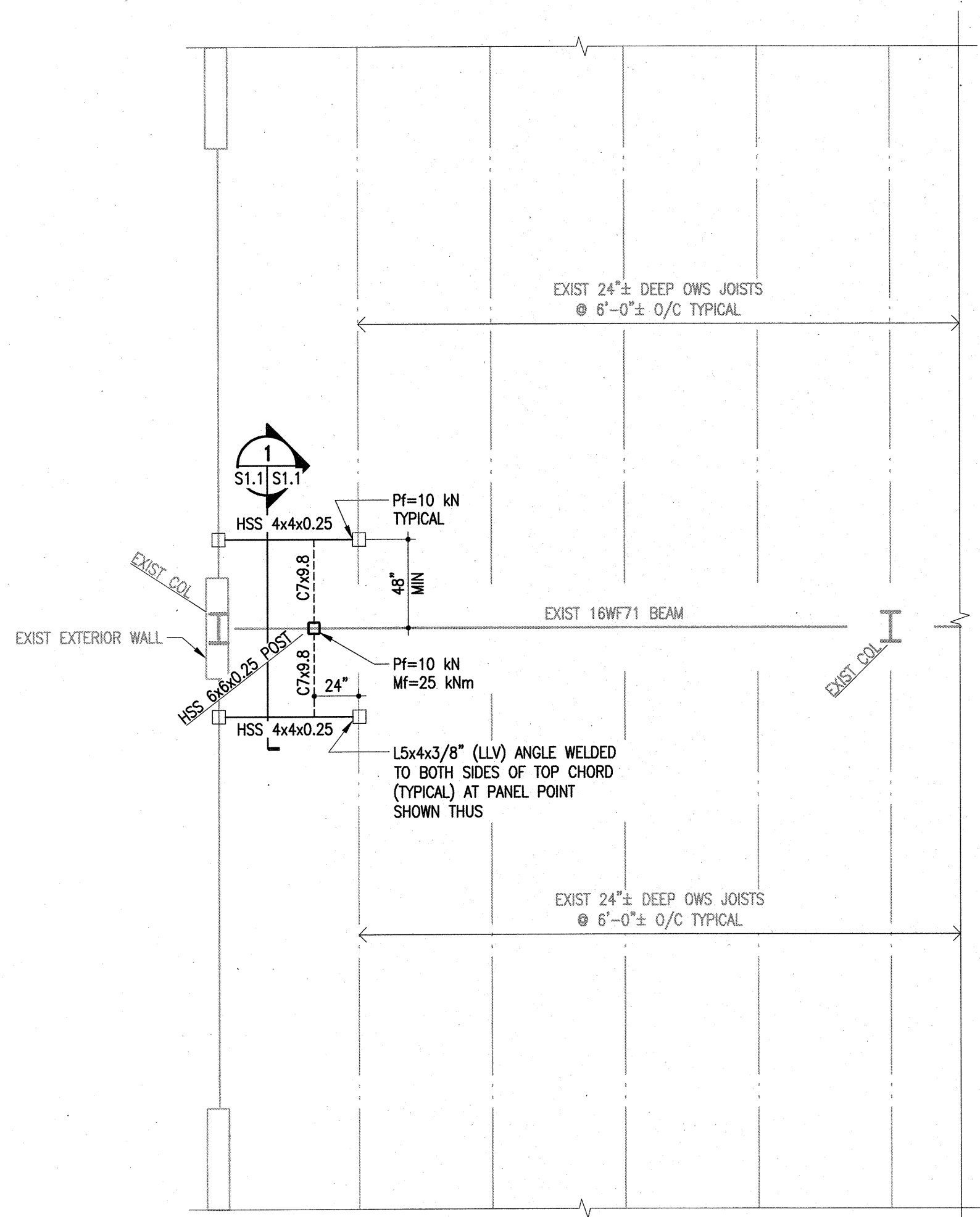
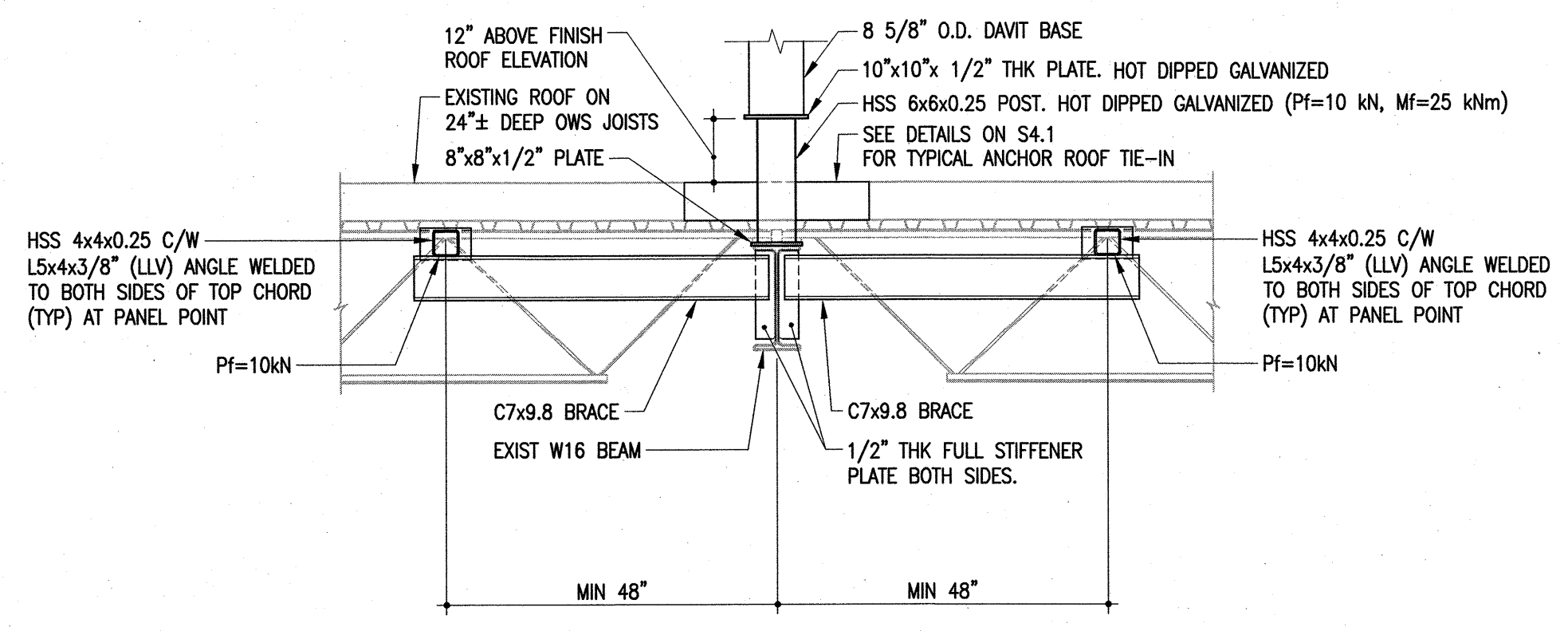


- PLAN NOTES**
- 1 REPLACE EXISTING ROOF HATCH ORIENTATION TO BE ROTATED 90 DEGREES. PROVIDE RETRACTABLE GRAB BAR. REPLACE EXISTING RAILING WITH 12'-0" LONG FREE STANDING GUARDRAIL. SEE DETAIL 3/54.1
 - 2 PROVIDE NEW FREE STANDING STAIR & LANDING.
 - 3 EXISTING EXHAUST FAN. PROVIDE 12'-0" LONG FREE STANDING GUARDRAIL.
 - 4 EXISTING MECHANICAL UNIT. PROVIDE 12'-0" LONG FREE STANDING GUARDRAIL.
 - 5 PROVIDE NEW DAVIT 1500LB CAPACITY. 4'-0" CLEAR REACH. PROVIDE FREE STANDING GUARDRAIL C/W 6'-0" LOCKABLE GATE. LOCATE CENTER OF GATE 8'-0" FROM DAVIT BASE. SEE DETAIL A/S1.0
- DENOTES GUARDRAIL

ROOF PLAN
NTS



A PARTIAL ROOF DAVIT BASE FRAMING PLAN
S1.1/S1.1 3/16" = 1'-0"



1 DAVIT BASE FRAMING SECTION
S1.1/S1.1 1/2" = 1'-0"

The General Contractor shall check & verify all dimensions and report any errors or omissions to the designers.

No.	Date	Issue/Revision	By
0	2019-05-03	ISSUED FOR CONSTRUCTION	IM

**ENGINEERS
GEOSCIENTISTS
MANITOBA**
Certificate of Authorization
Crosier Kilgour & Partners Ltd.
No. 235



Consultant

300-275 Carlton Street
Winnipeg, Manitoba R3C 5R6
T 204. 943. 7501
F 204. 943. 7507

**Crosier Kilgour
& Partners Ltd.**
CONSULTING STRUCTURAL ENGINEERS

Project
**WINNIPEG TRANSIT
ROOF FALL ARREST MEASURES
BID OPPORTUNITY 236-2019**
NORTH GARAGE
1520 MAIN STREET
WINNIPEG, MANITOBA

Sheet Title
ROOF PLANS, AND SECTION

File 2018-0794 Date 2019-05-03

Design IM Drawn CJM

Revision 0 Sheet No. S1.1