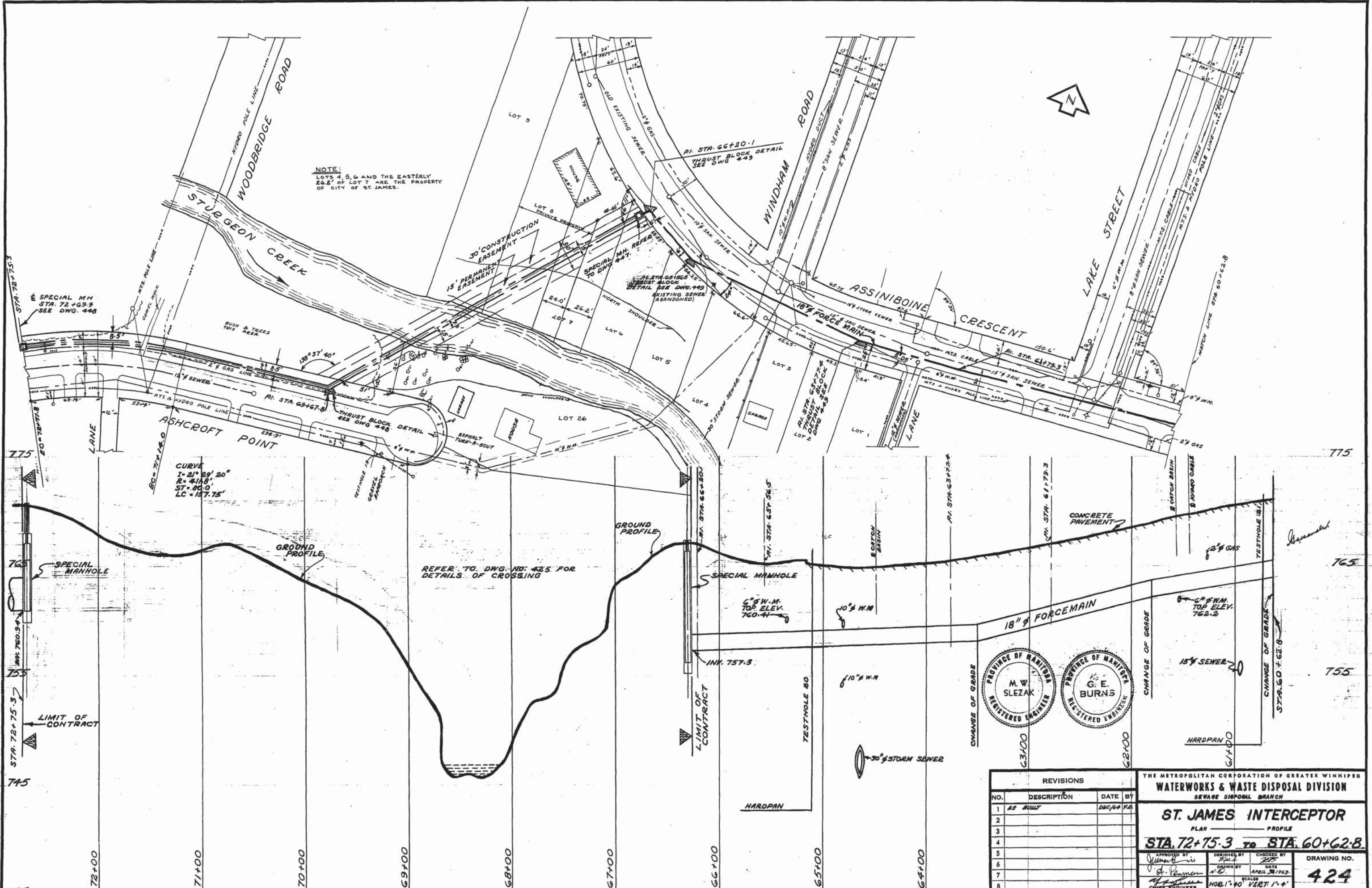


NOTE:
 LOTS 4, 5, 6 AND THE EASTERLY
 26.2' OF LOT 7 ARE THE PROPERTY
 OF CITY OF ST. JAMES.



CURVE
 I = 21° 29' 20"
 R = 4118'
 ST = 80.0'
 LC = 127.75'

REFER TO DWG. NO. 425 FOR
 DETAILS OF CROSSING



REVISIONS			
NO.	DESCRIPTION	DATE	BY
1	AS BUILT	DEC/24/60	KG
2			
3			
4			
5			
6			
7			
8			

THE METROPOLITAN CORPORATION OF GREATER WINNIPEG
WATERWORKS & WASTE DISPOSAL DIVISION
 SEWAGE DISPOSAL BRANCH

ST. JAMES INTERCEPTOR
 PLAN ——— PROFILE

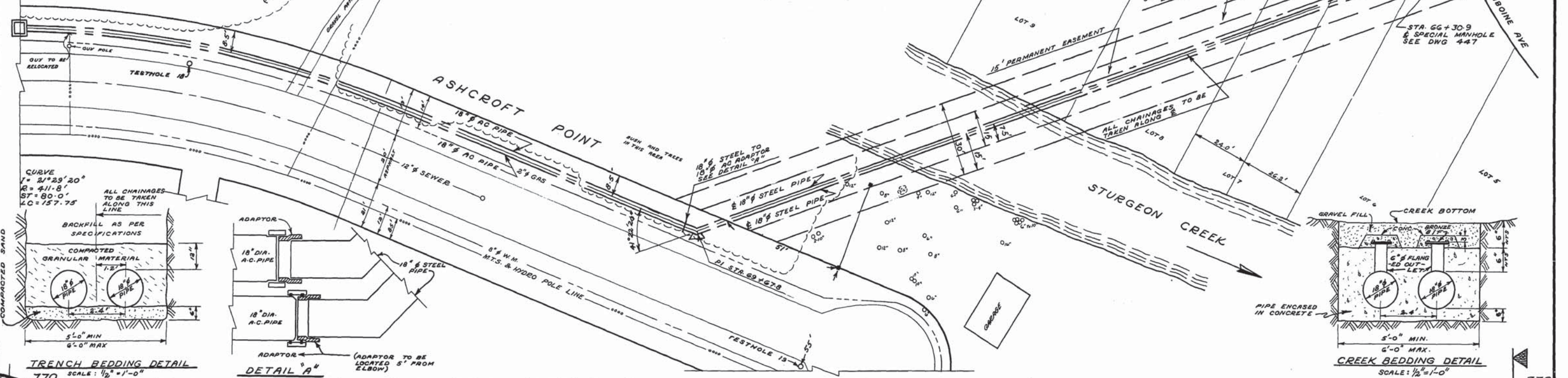
STA. 72+75.3 TO STA. 60+62.8

APPROVED BY: *[Signature]* DESIGNED BY: *[Signature]* CHECKED BY: *[Signature]*
 DRAWN BY: *[Signature]* DATE: APRIL 28/1963
 HOBB: 1" = 40' VERT: 1" = 4'

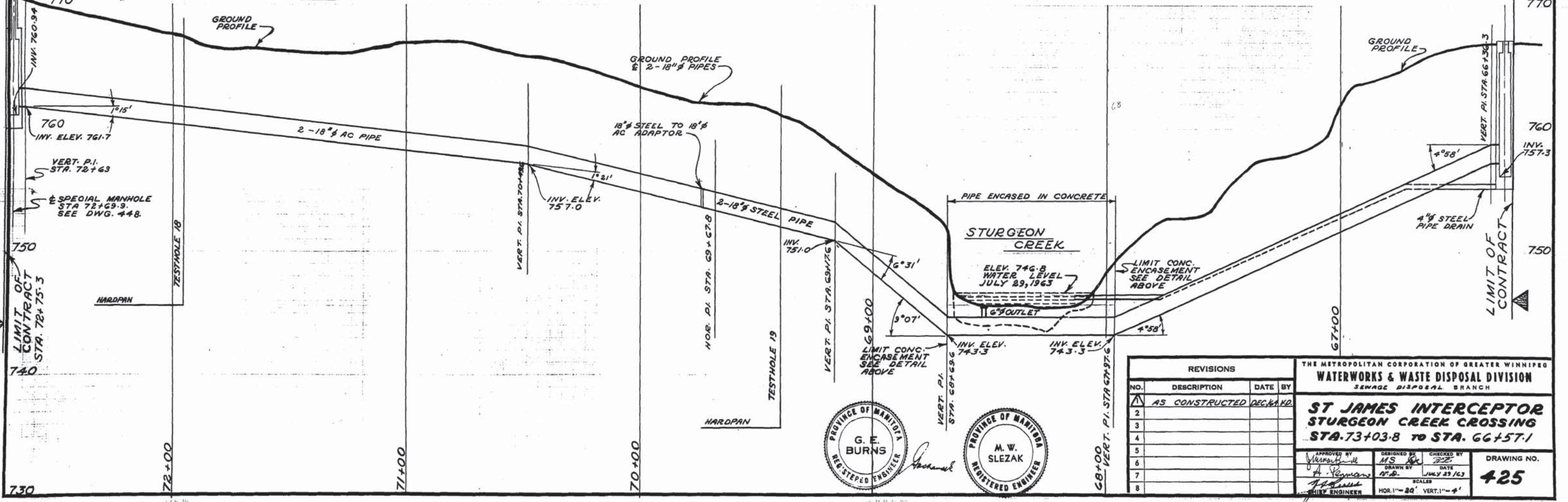
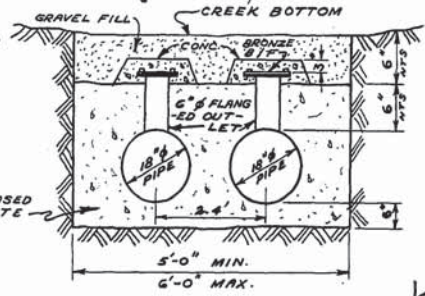
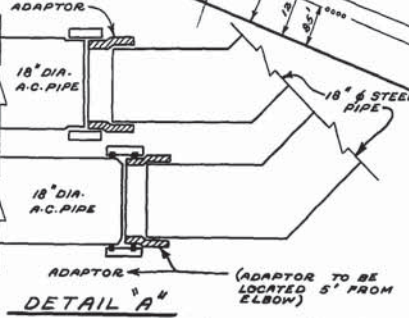
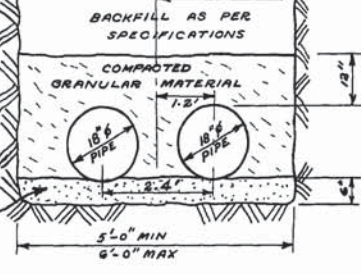
DRAWING NO. **424**



SPECIAL M.H.
STA 72+69.9
SEE DWG. 448



CURVE
I = 2°23'20"
R = 411.8'
ST = 80.0'
LC = 157.75'



REVISIONS			
NO.	DESCRIPTION	DATE	BY
1	AS CONSTRUCTED	DEC 11 1963	AS
2			
3			
4			
5			
6			
7			
8			

THE METROPOLITAN CORPORATION OF GREATER WINNIPEG
WATERWORKS & WASTE DISPOSAL DIVISION
 SEWAGE DISPOSAL BRANCH

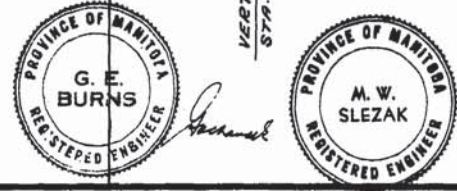
ST JAMES INTERCEPTOR
STURGEON CREEK CROSSING
STA. 73+03.8 TO STA. 66+57.1

DESIGNED BY: *AS*
 DRAWN BY: *AS*
 CHECKED BY: *AS*
 DATE: JULY 23 1963

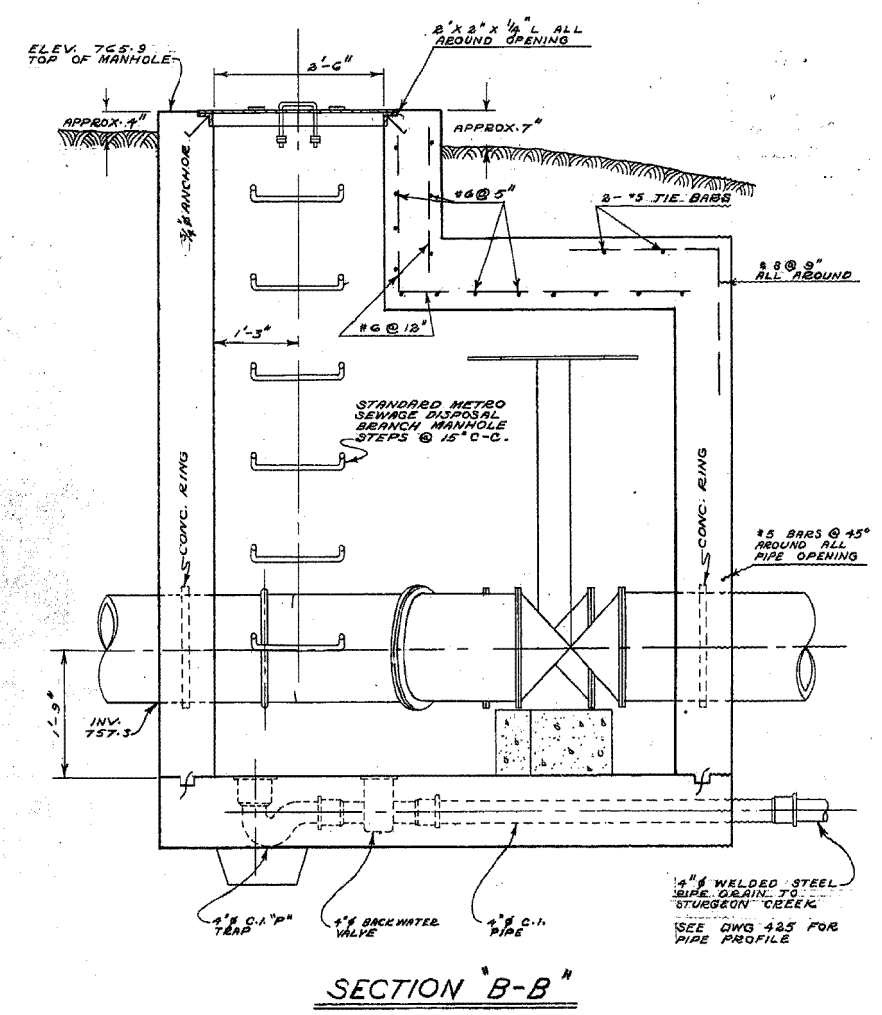
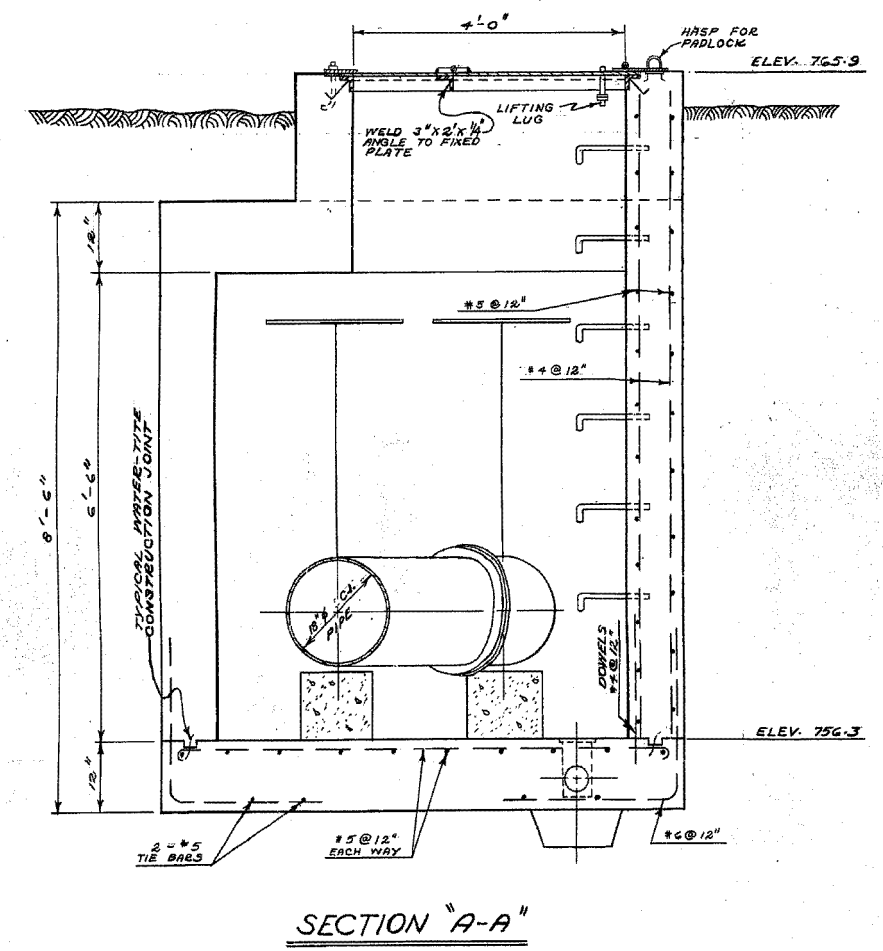
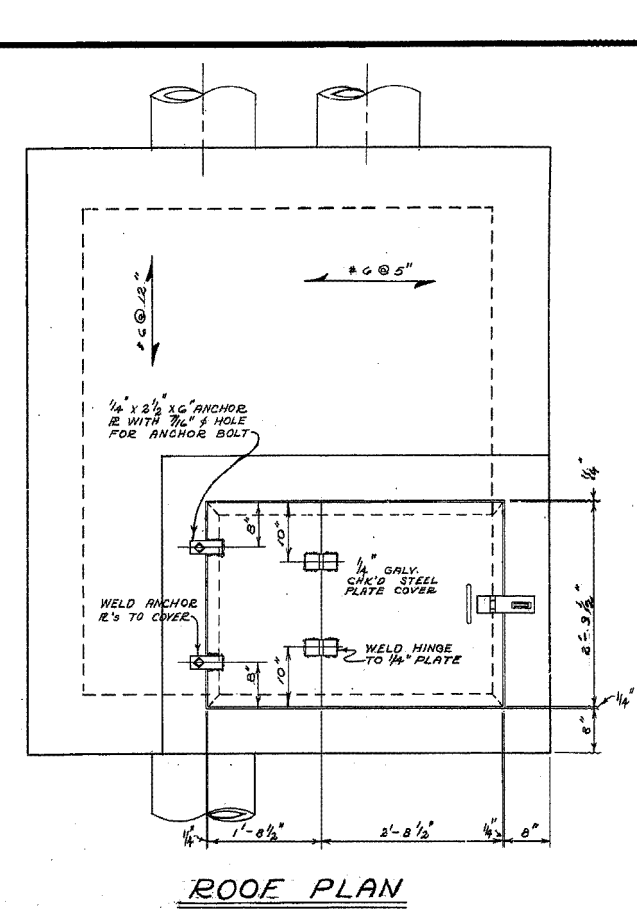
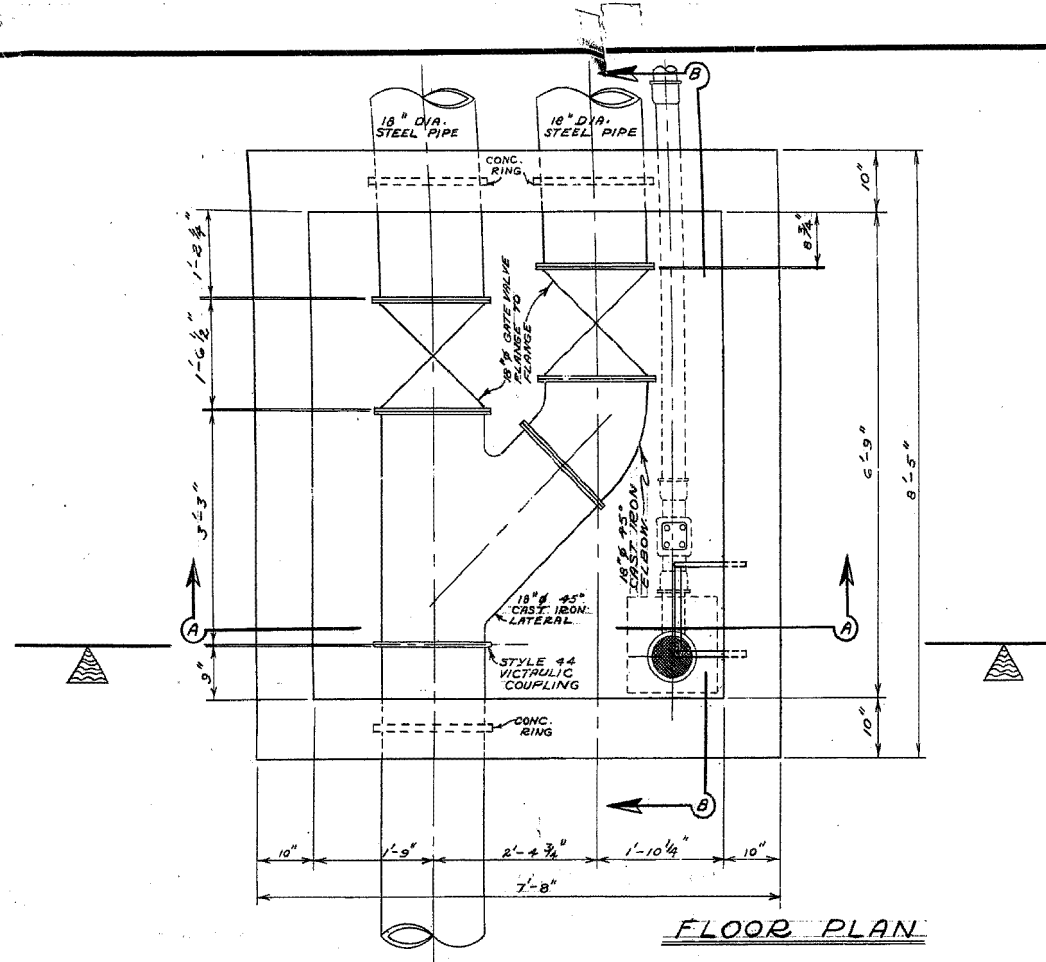
APPROVED BY: *A. J. Yeman*
 CHIEF ENGINEER

DRAWING NO. **425**

SCALE: HOR. 1" = 20' VERT. 1" = 4'

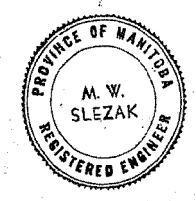


447



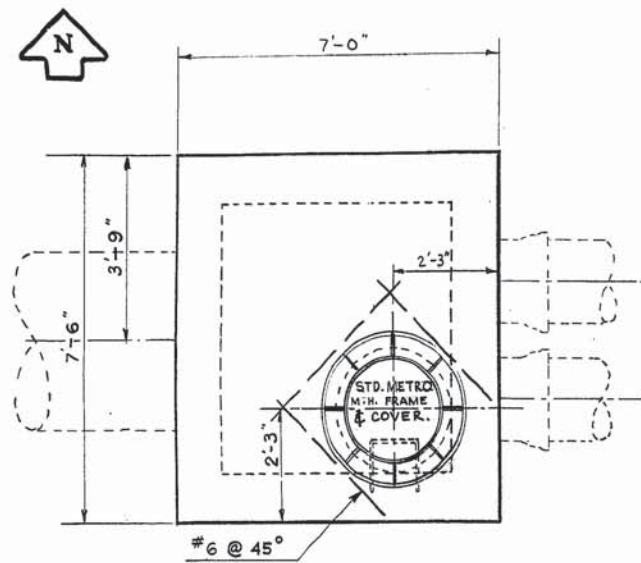
AS BUILT
 MAR. 1971 V.D.

HOT GALVANIZE ALL MISCELLANEOUS IRON AND STEEL WORK.

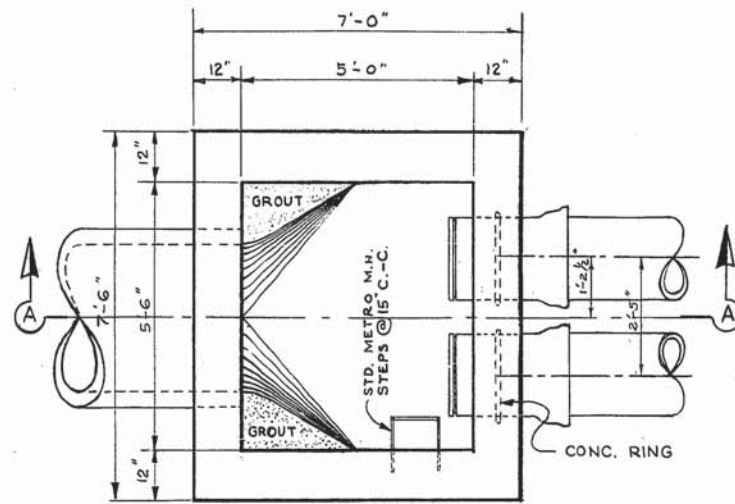


REVISIONS			
NO.	DESCRIPTION	DATE	BY
1			
2			
3			
4			
5			
6			
7			
8			

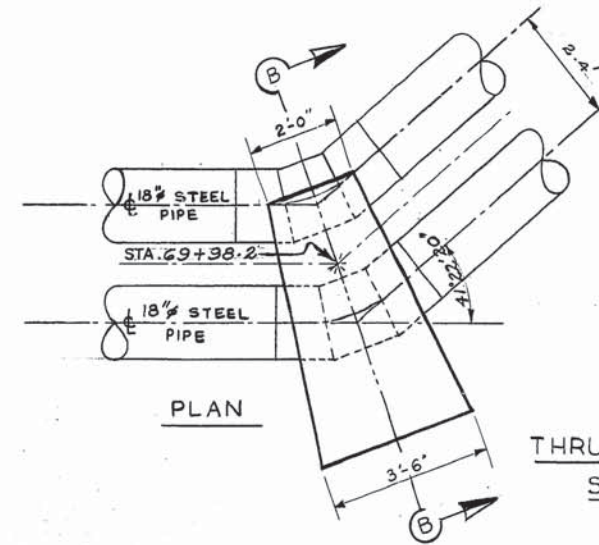
THE METROPOLITAN CORPORATION OF GREATER WINNIPEG			
WATERWORKS & WASTE DISPOSAL DIVISION			
SEWAGE DISPOSAL BRANCH			
ST. JAMES INTERCEPTOR			
SPECIAL MANHOLE STA. 66+613			
ASSINIBOINE AVE.			
STURGEON CREEK X-ING			
APPROVED BY	DESIGNED BY	CHECKED BY	DRAWING NO.
<i>[Signature]</i>	<i>[Signature]</i>	<i>[Signature]</i>	447
DRAWN BY	DATE	SCALE	
<i>[Signature]</i>	JUNE 1963	3/4" = 1'-0"	
CHIEF ENGINEER			



ROOF PLAN

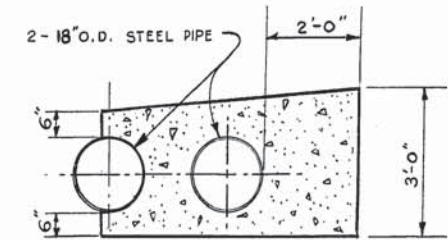


FLOOR PLAN



PLAN

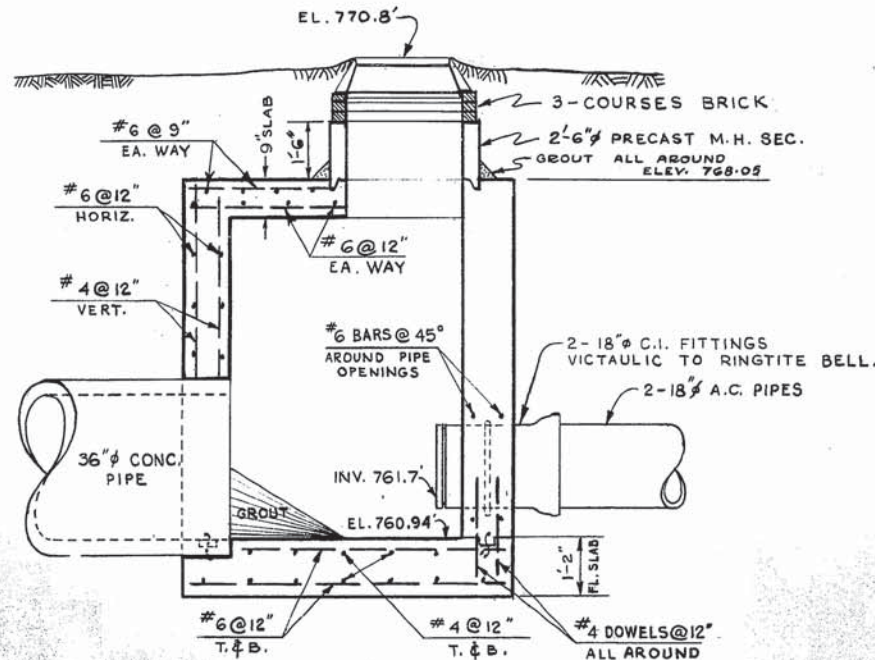
THRUST BLOCK DETAIL
STA. 69+98.2



SEC. B-B

NOTES

- 1 HOT. GALV. ALL MISC. IRON & STEEL WORK.
- 2 CEMENT FONDU SHALL BE USED IN ALL CONC. WORK FOR SPECIAL MANHOLE.
- 3 SUPPLY 2-18" STYLE 44 VICTAULIC COUPLINGS



SEC. A-A

SPECIAL MANHOLE AT ASHCROFT PT.
STA. 73+00.3

AS BUILT
MAR. 1971. V.D.



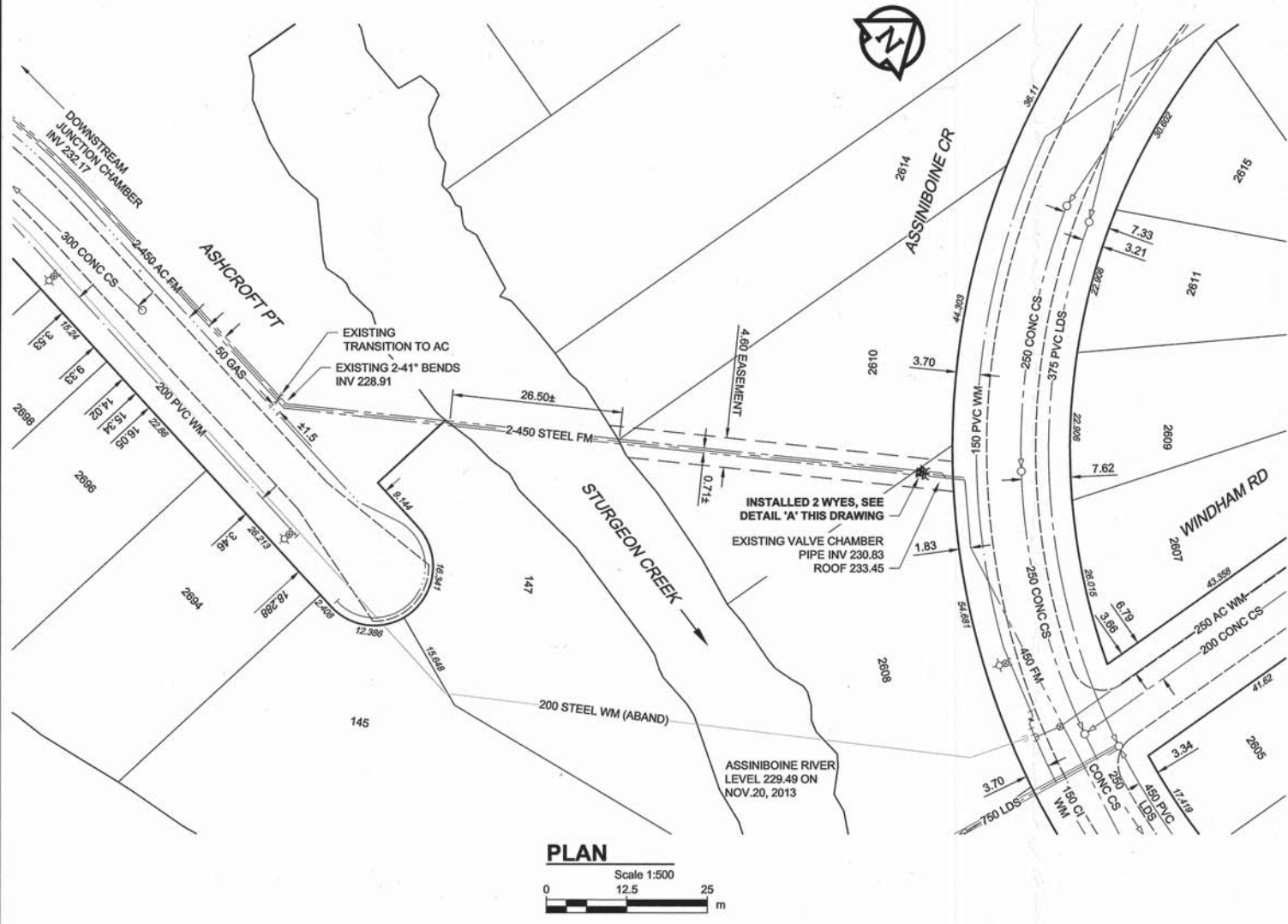
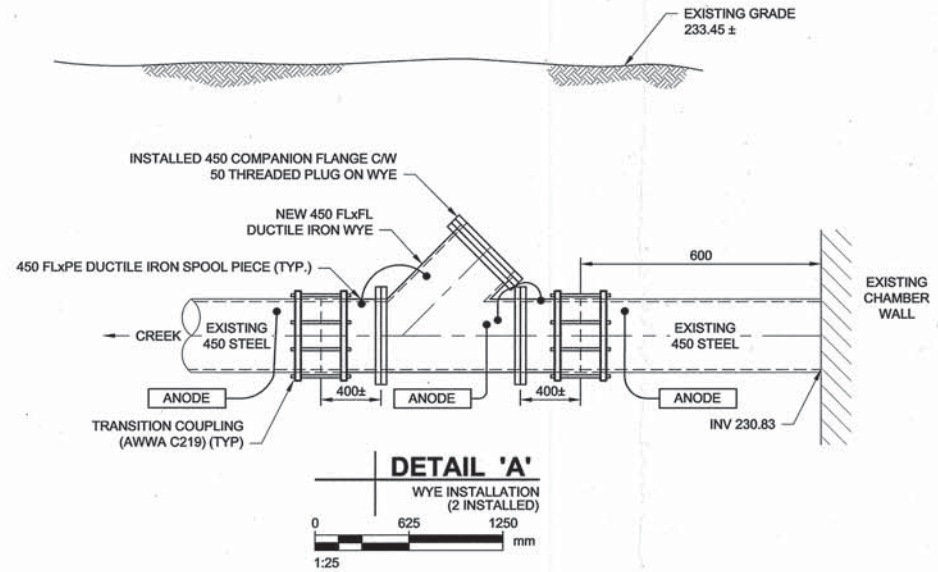
REVISIONS				THE METROPOLITAN CORPORATION OF GREATER WINNIPEG WATERWORKS & WASTE DISPOSAL DIVISION SEWAGE DISPOSAL BRANCH	
NO.	DESCRIPTION	DATE	BY	APPROVED BY	DRAWING NO.
1					ST. JAMES INTERCEPTOR SPECIAL M.H. AT ASHCROFT PT. STA. 73+00.3 & T.B. AT STA. 69+98.2
2					
3					
4					
5					
6					
7					
8					

DESIGNED BY M.W. SLEZAK
CHECKED BY
DATE 31 MAY 63
SCALE 1/2" = 1'-0"
DRAWING NO. 448

D SIZE 22" x 34" (559mm x 864mm)

PLOT: 3/6/2017 2:10:39 PM

AECOM REVIEW DRIFT CHK
AECOM FILE NAME: 60270487-SHT-00-0000-C-0009.dwg Saved By: denoudenw



ITEM	MANUFACTURER	MATERIAL SPECIFICATION	SPECIAL FEATURES
WATER WORKS			
450 DUCTILE IRON SPOOL PIECE (FLANGE X PLAIN END)	METALFIT INC.	AWWA C115, AWWA C104, AWWA C210	EPOXY COATED CEMENT MORTAR LINED
450 DUCTILE IRON WYE (FLANGED)	METALFIT INC.	AWWA C111, AWWA C104, AWWA C210	EPOXY COATED CEMENT MORTAR LINED
450 DUCTILE IRON BLIND FLANGE	METALFIT INC.	AWWA C111, AWWA C104, AWWA C210	EPOXY COATED CEMENT MORTAR LINED
450 STEEL TRANSITION COUPLING	ROBAR INDUSTRIES LTD.	AWWA C219, AWWA C213	FBE-COATED D.I. SLEEVE & END RINGS TYPE 316 S.S. NUTS, BOLTS, WASHERS AND DI-ELECTRIC WASHERS ZINC WEIGHT 10.9 kg
ANODES - ZINC	INTERPROVINCIAL CORROSION CONTROL COMPANY LIMITED	ASTM B418 - TYPE II	ZINC WEIGHT 10.9 kg
PETROLATUM TAPE CORROSION PROTECTION	DENSO NORTH AMERICA	AWWA C2017	PROFILING MASTIC PETROLATUM TAPE OUTER WRAP
CONTRACTOR:	TRI-CORE PROJECTS MANITOBA LTD.		
CONSTRUCTION PERIOD:	AUGUST to NOVEMBER 2014		
FIELD BOOK NO.:	NA		



METRIC
WHOLE NUMBERS INDICATE MILLIMETRES
DECIMALIZED NUMBERS INDICATE METRES

RECORD DRAWING
BID OPPORTUNITY NO. 457-2014

EXISTING	LEGEND - PLAN	NEW	EXISTING	LEGEND - PLAN	NEW	EXISTING	LEGEND - PROFILE	NEW
150 WM	WATERMAIN	150 WM	○	CURB STOP	●	150 WM	WATERMAIN	150 WM
○	HYDRANT	○	○	REDUCER	○	○	HYDRANT	○
○	VALVE	○	○	COUPLING	○	○	VALVE	○
300 LDS	LAND DRAINAGE SEWER	300 LDS	○	ANODE	○	300 LDS	LAND DRAINAGE SEWER	300 LDS
250 WWS	WASTE WATER SEWER	250 WWS	○	HYDRO	○	250 WWS	WASTE WATER SEWER	250 WWS
○	MANHOLE	○	○	MTS	○	○	PAVEMENT CROWN	○
○	CATCH BASIN	○	○	GAS	○	○	N/W PROPERTY LINE	○
○	CURB INLET	○	○	TESTHOLE	○	○	S/E PROPERTY LINE	○
○	CULVERT	○	○	LAMP STANDARD	○	○	N/W GUTTER	○
○	PIPE ABANDONMENTS	○	○	TREE	○	○	S/E GUTTER	○
○	SURVEY BAR	○	○		○	○		○

LOCATION APPROVED
UNDERGROUND STRUCTURES

SUPR. U/G STRUCTURES	DATE

NOTE:
LOCATION OF UNDERGROUND STRUCTURES AS SHOWN ARE BASED ON THE BEST INFORMATION AVAILABLE, BUT NO GUARANTEE IS GIVEN THAT ALL EXISTING UTILITIES ARE SHOWN OR THAT THE GIVEN LOCATIONS ARE EXACT. CONFIRMATION OF EXISTENCE AND EXACT LOCATION OF ALL SERVICES MUST BE OBTAINED FROM THE INDIVIDUAL UTILITIES BEFORE PROCEEDING WITH CONSTRUCTION.

NO.	REVISIONS	YYMMDD	BY
2	ISSUED FOR RECORD	17/02/24	WJS
1	REVISED BID OPP. NUMBER	14/05/05	WJS
0	ISSUED FOR CONSTRUCTION	14/02/27	WJS
A	ISSUED FOR 90% REVIEW	13/12/12	PL

AECOM

DESIGNED BY: ADB
DRAWN BY: ADL
CHECKED BY: [Signature]
APPROVED BY: [Signature]
HOR. SCALE: AS NOTED
VERT. SCALE: N/A

PROFESSIONAL'S SEAL
PROVINCE OF MANITOBA
AID.
BRAUN
Member
24453
Mar 14/17
REGISTERED PROFESSIONAL ENGINEER
CONSULTANT DRAWING NO.
60270487-SHT-00-0000-C-0009

THE CITY OF WINNIPEG
WATER AND WASTE DEPARTMENT

PROVISION OF PIPELINE CLEANING AND SUPPORT SERVICES FOR RIVER CROSSING INSPECTIONS
ST. JAMES INTERCEPTOR FORCEMAIN (Site 4a & 4b)

SHEET 1 OF 2
CITY DRAWING NUMBER
REV
D-13325 2