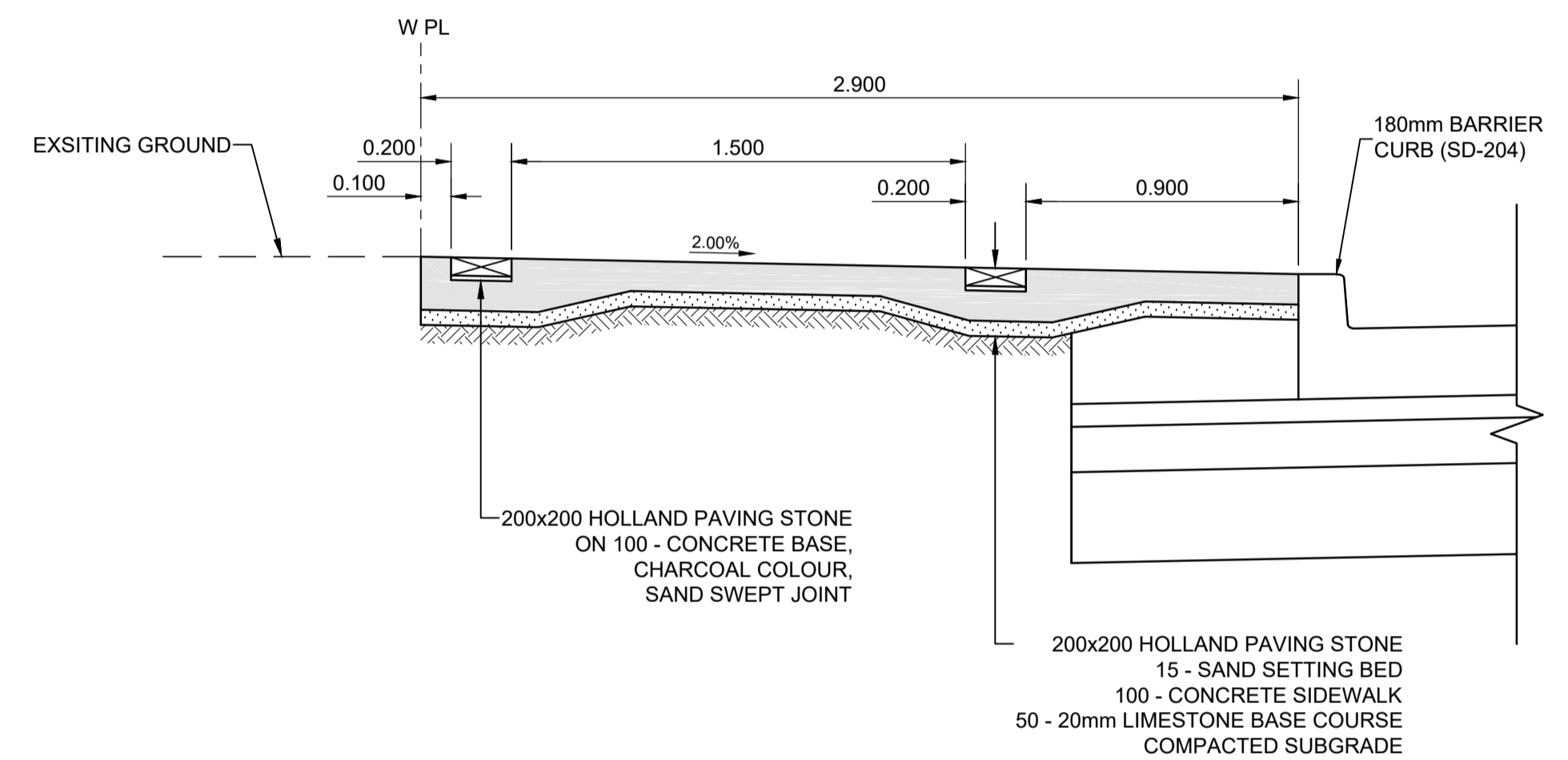
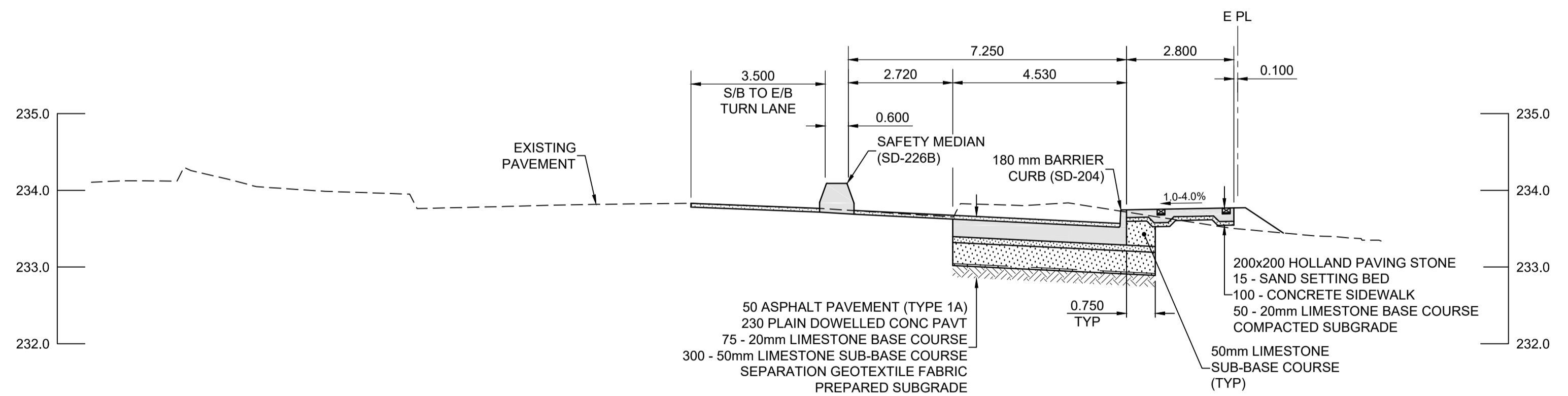


SECTION
SECTION A-5/8
PAVEMENT STRUCTURE - STA 1+805
 SCALE: H 1:100 V 1:50
 HORIZONTAL SCALE: 1:100 VERTICAL SCALE: 1:50
 0 1.0 2.0 3.0 4.0 5.0m 0 0.5 1.0 1.5 2.0 2.5m



SECTION
SECTION A-6/8
SIDEWALK STRUCTURE
 SCALE: H 1:20 V 1:20
 SCALE: 1:20
 0 0.5 1.0m



SECTION
SECTION B-6/8
PAVEMENT STRUCTURE - STA 2+000
 SCALE: H 1:100 V 1:50
 HORIZONTAL SCALE: 1:100 VERTICAL SCALE: 1:50
 0 1.0 2.0 3.0 4.0 5.0m 0 0.5 1.0 1.5 2.0 2.5m

METRIC
 WHOLE NUMBERS INDICATE MILLIMETRES
 DECIMALIZED NUMBERS INDICATE METRES



THE CITY OF WINNIPEG
 PUBLIC WORKS DEPARTMENT
 ENGINEERING DIVISION

2019 REGIONAL STREET RENEWAL PROGRAM
ST. JAMES STREET RECONSTRUCTION
50 m N OF ELLICE AVE TO 150 m N OF SARGENT AVE

CITY DRAWING NUMBER: P-3508-08
 SHEET 8 OF 16
 DRAWING NUMBER: 8

CROSS SECTIONS
 VARIOUS STATIONS

MORRISON HERSHFIELD

DESIGNED BY	GFC	CHECKED BY	WRJ
DRAWN BY	KMB	APPROVED BY	BWB
HOR SCALE AS SHOWN		RELEASED FOR CONSTRUCTION	
VERT SCALE AS SHOWN		DATE	
DATE 18/06/07		DATE	
BY		DATE	

PROFESSIONAL'S SEAL
 R.P. BRUCE
 REGISTERED PROFESSIONAL ENGINEER
 CONSULTANT FILE NAME: W170041-XS-01.dwg

	GAS		MANHOLE		CONCRETE PAVEMENT	LOCATION APPROVED UNDERGROUND STRUCTURES SURF. U/G STRUCTURES COMMITTEE DATE NOTE: LOCATION OF UNDERGROUND STRUCTURES AS SHOWN ARE BASED ON THE BEST INFORMATION AVAILABLE BUT NO GUARANTEE IS GIVEN THAT ALL EXISTING UTILITIES ARE SHOWN OR THAT THE GIVEN LOCATIONS ARE EXACT. CONFIRMATION OF EXISTENCE AND EXACT LOCATION OF ALL SERVICES MUST BE OBTAINED FROM THE INDIVIDUAL UTILITIES BEFORE PROCEEDING WITH CONSTRUCTION.
	MTS HANDWELL/PEDESTAL		CATCH BASIN/CATCH PIT		CONC SIDEWALK/MEDIAN	
	HYDRO HANDWELL/CABINET		CURB INLET WITH BOX		ASPHALT PAVEMENT	
	CATV/FIBRE OPTIC		TREE		PAVING STONE	
	TRAFFIC SIGNALS/PIT		TEST HOLE		GRAVEL	
	LAND DRAINAGE SEWER		PROPERTY LINE		RAMP CURB	
	SANITARY/COMBINED SEWER		SURVEY BAR		PLANING/REMOVAL	
	CB LEAD/SSP/DCP		FENCE			
	WATERMAIN		BOC/EDGE OF PAVEMENT			
	SUBDRAIN		ELEVATION			
	DITCH		TRAFFIC SIGN			
	EXISTING		LEGEND - PLAN		EXISTING	
	NEW		LEGEND - PLAN		NEW	