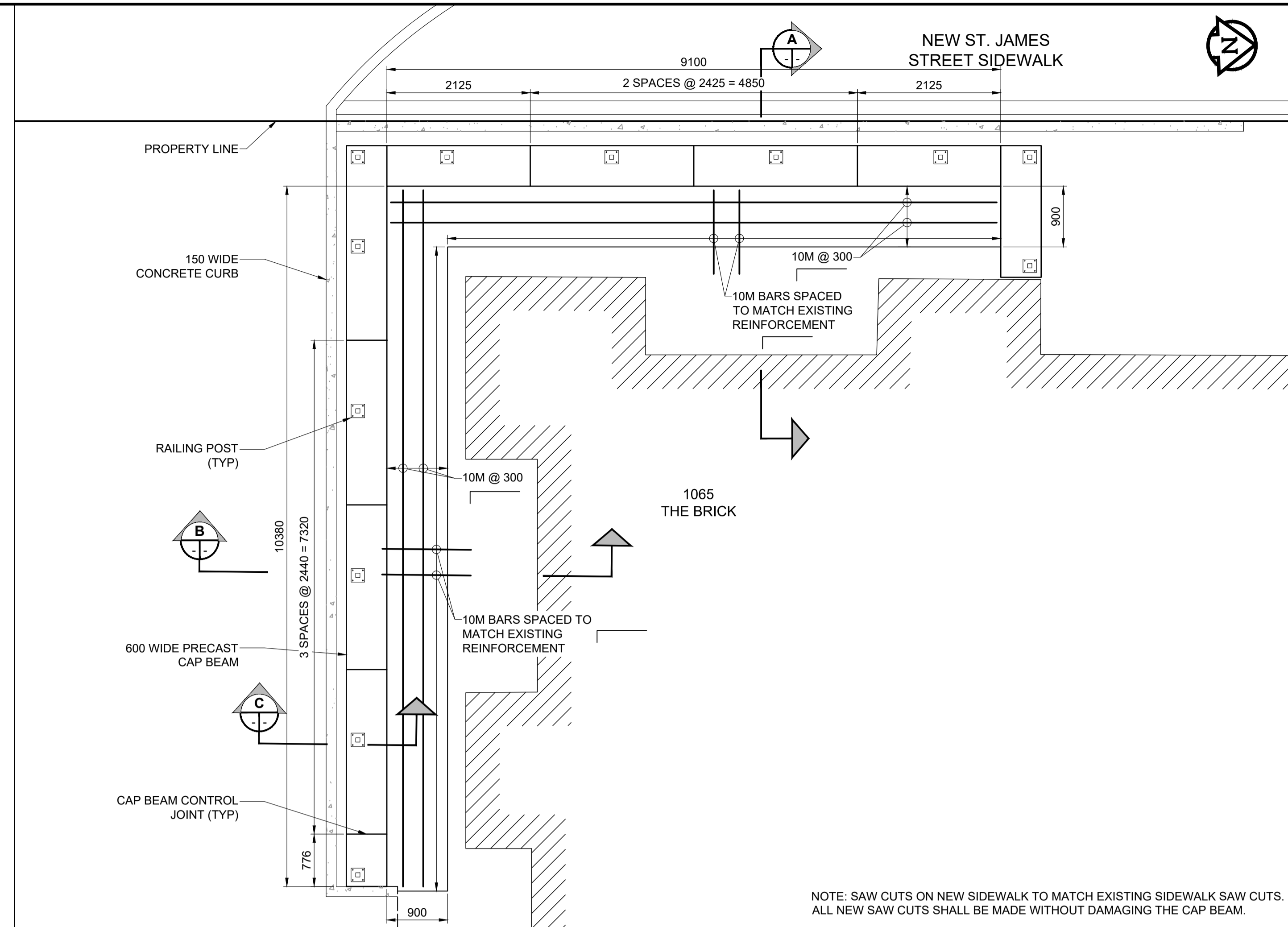
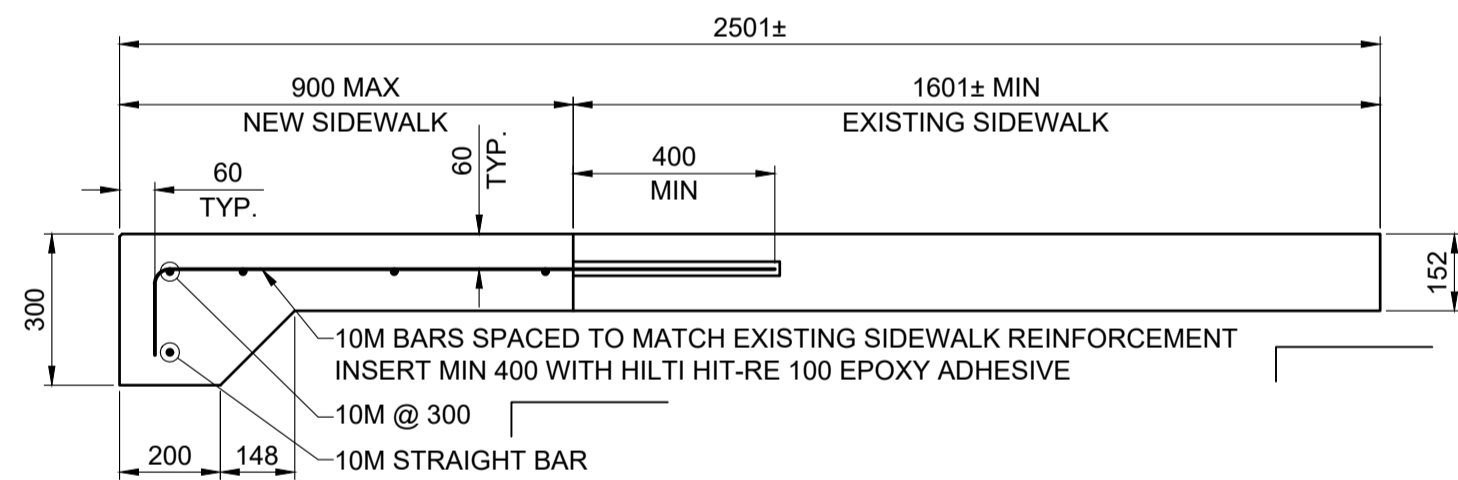


SIDEWALK REMOVALS PLAN
SCALE 1:50

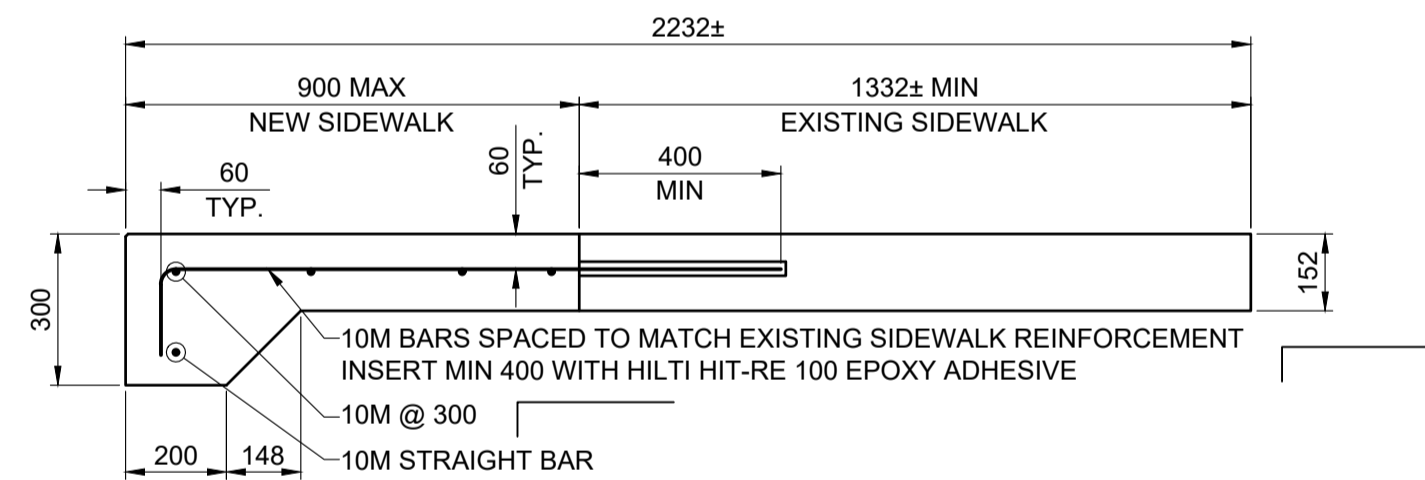


NEW SIDEWALK PLAN
SCALE 1:50

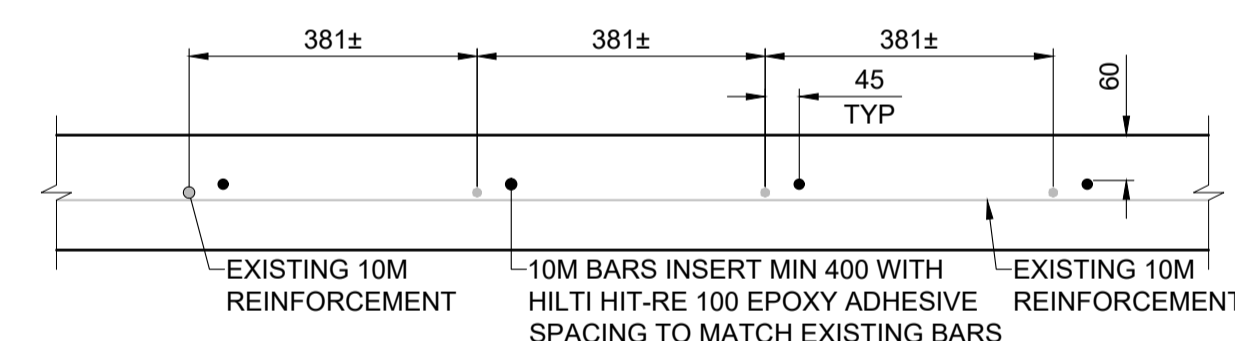
NOTE: SAW CUTS ON NEW SIDEWALK TO MATCH EXISTING SIDEWALK SAW CUTS. ALL NEW SAW CUTS SHALL BE MADE WITHOUT DAMAGING THE CAP BEAM.



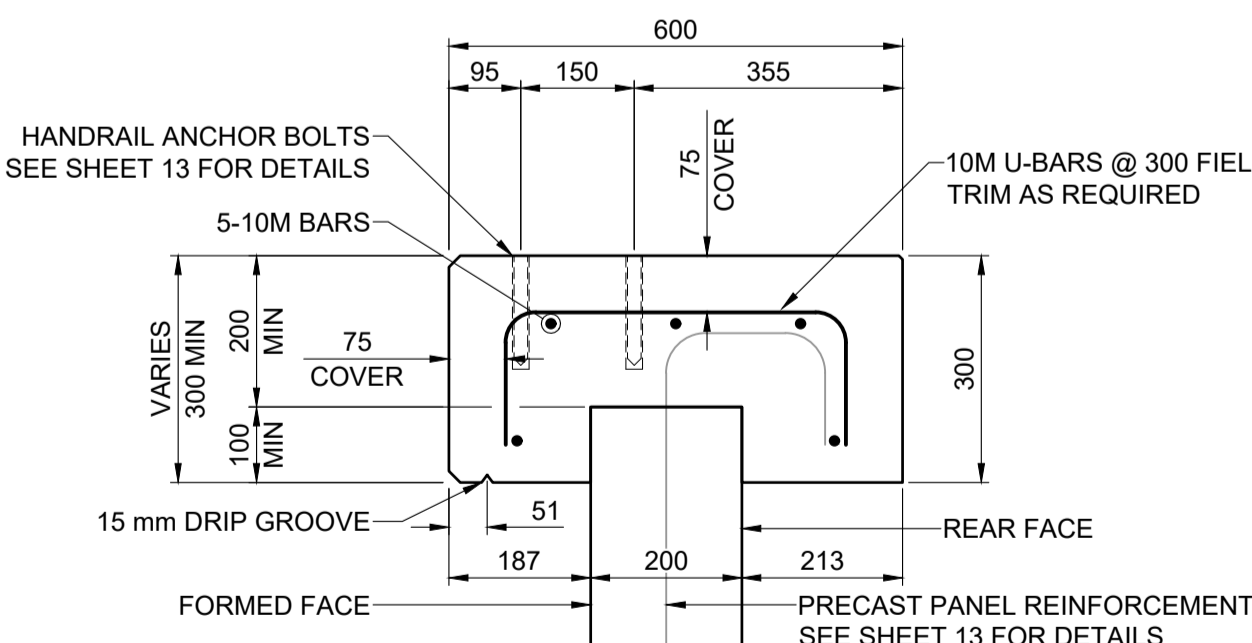
A SECTION
SCALE: 1:15



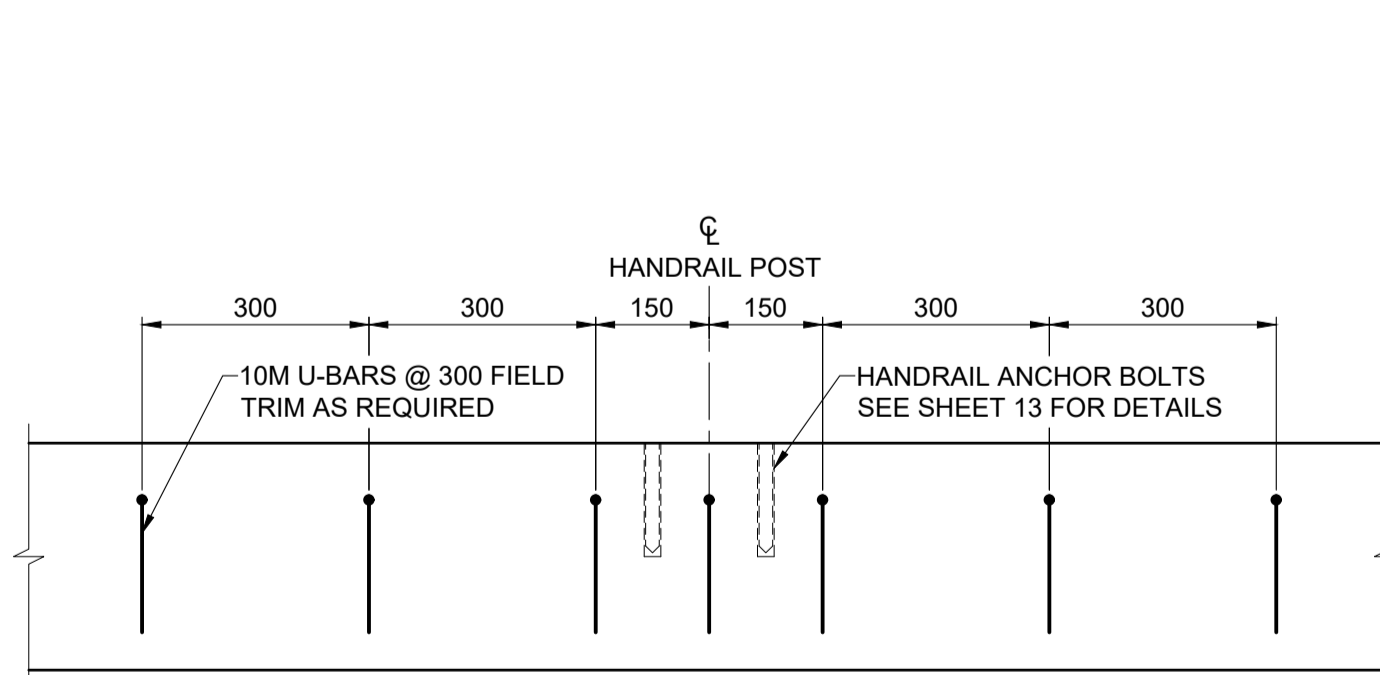
B SECTION
SCALE: 1:15



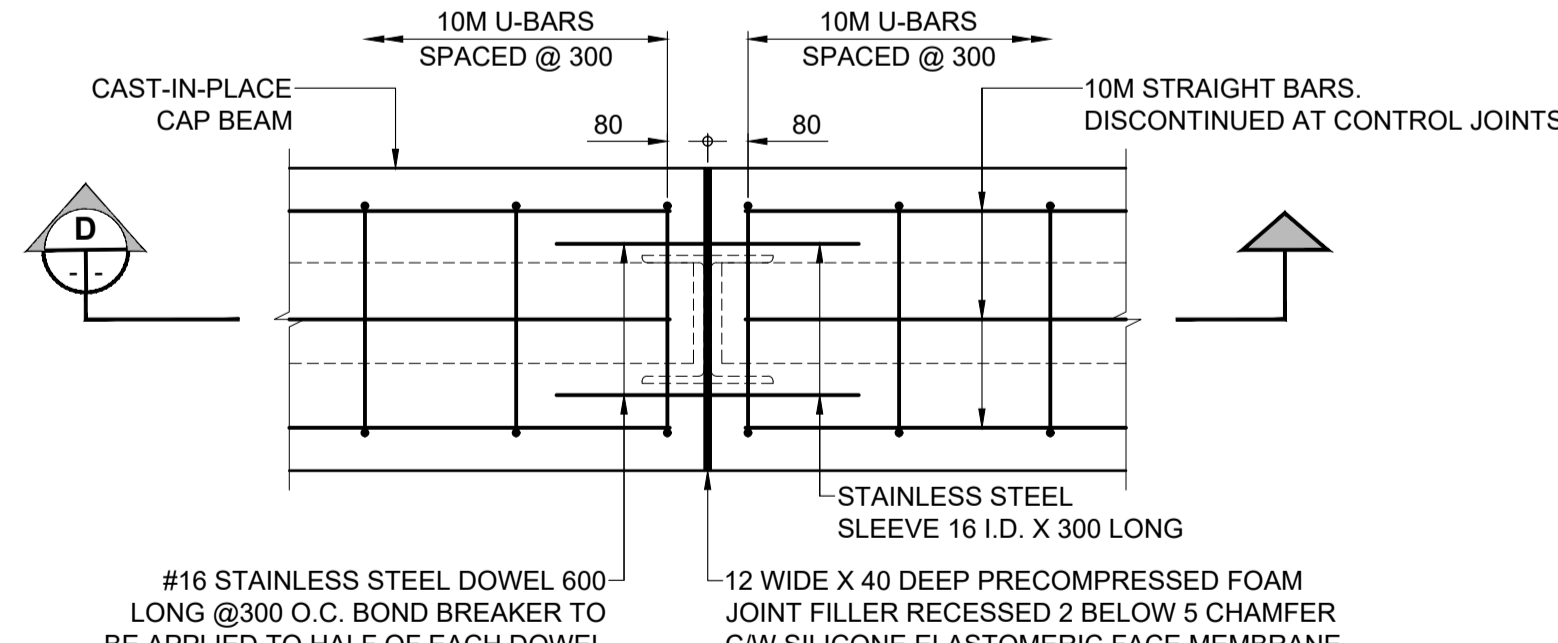
DOWEL LOCATIONS
SCALE: 1:10



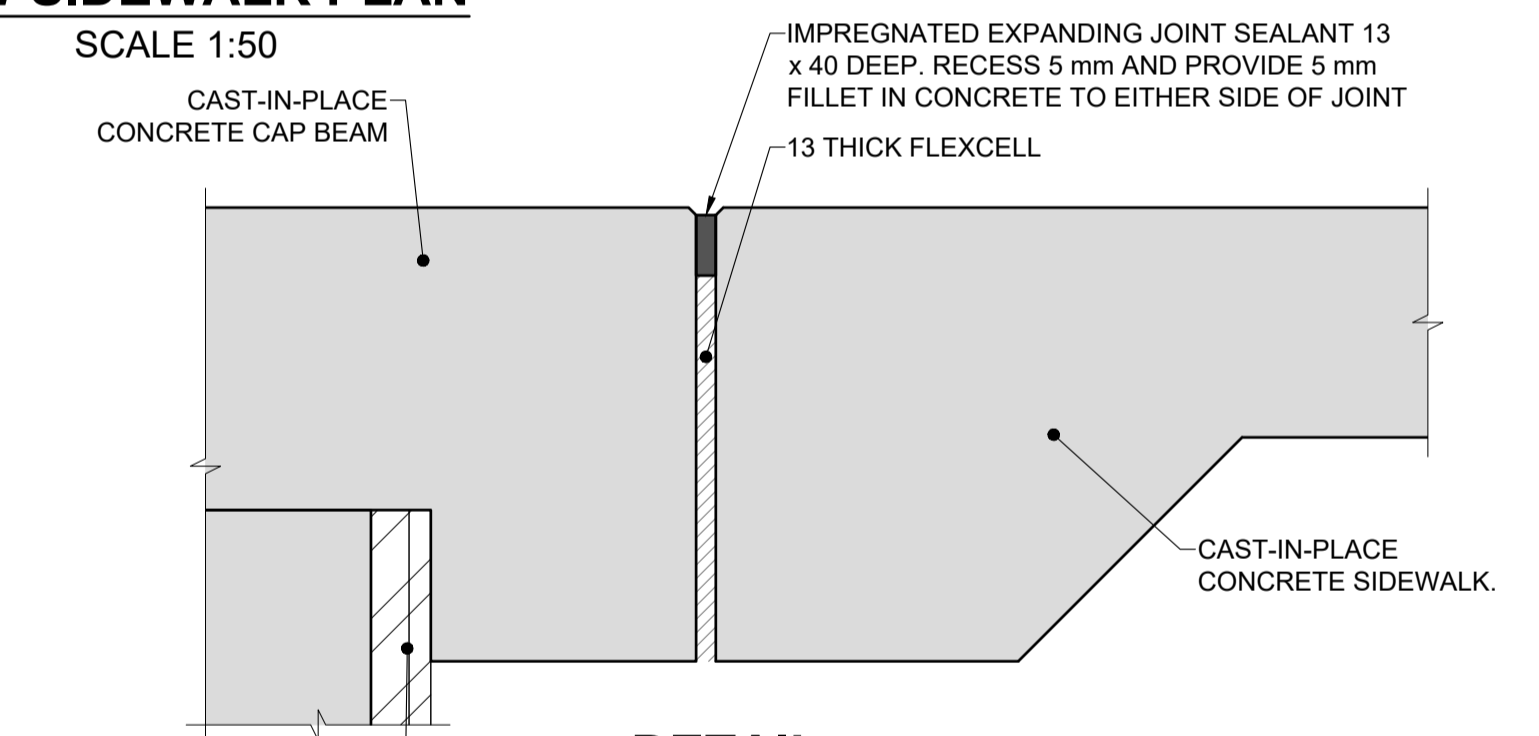
C SECTION
SCALE: 1:10



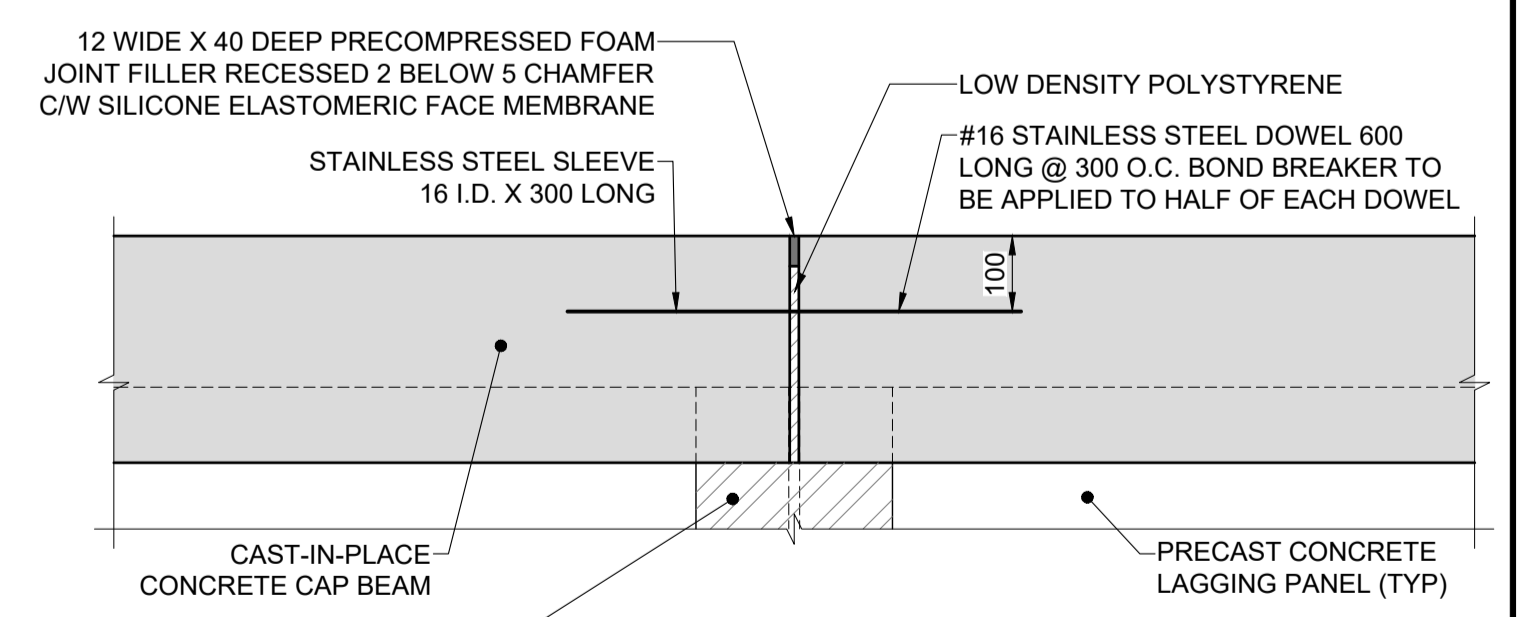
CAP BEAM ELEVATION
REINFORCEMENT AT RAILING ANCHORS
SCALE: 1:10



CAP BEAM PLAN
REINFORCEMENT AT CONTROL JOINTS
SCALE: 1:15



1 DETAIL
CAP BEAM & SIDEWALK JOINT
SCALE: 1:5



D SECTION
SCALE: 1:10

- NOTES:**
- SIDEWALK REMOVALS AND EXCAVATION SHALL BE KEPT TO THE MINIMUM REQUIRED FOR LAGGING PANEL INSTALLATION AND SHALL NOT EXCEED THE LIMITS AS SHOWN ON THIS DRAWING. THE CONTRACTOR SHALL EXCAVATE ONLY MATERIAL THAT IS NECESSARY FOR THE EXPEDITIOUS CONSTRUCTION OF THE STRUCTURE OR AS SET OUT BY THE CONTRACT ADMINISTRATOR IN THE FIELD.
 - EXISTING BAR SPACING ESTIMATED FROM ORIGINAL DRAWINGS. CONTRACTOR TO CONFIRM BAR SPACING AND NUMBER OF 10M DOWELS AFTER SIDEWALK REMOVALS.
 - ALL 90° HOOKS ARE THE "A" OR "G" DIMENSIONS FOR A STANDARD 90° HOOK REFERENCED FROM THE RSIC "MANUAL OF STANDARD PRACTICE".
 - ALL REINFORCEMENT STEEL SHALL CONFORM TO THE LATEST EDITION OF CAN/CSA G30.18 "CARBON STEEL BARS FOR CONCRETE REINFORCEMENT" GRADE 400W, UNLESS NOTED OTHERWISE.

LOCATION APPROVED UNDERGROUND STRUCTURES	
SUPR. U/G STRUCTURES	DATE

NOTE: LOCATION OF UNDERGROUND STRUCTURES AS SHOWN ARE BASED ON THE BEST INFORMATION AVAILABLE BUT NO GUARANTEE IS GIVEN THAT ALL EXISTING UTILITIES ARE SHOWN OR THAT THE GIVEN LOCATIONS ARE EXACT. CONFIRMATION OF EXISTENCE AND EXACT LOCATION OF ALL SERVICES MUST BE OBTAINED FROM THE INDIVIDUAL UTILITIES BEFORE PROCEEDING WITH CONSTRUCTION.

BM ELEV			

		DESIGNED BY ALP		CHECKED BY BAP	
		DRAWN BY ALP		APPROVED BY BE	
		HOR SCALE AS SHOWN		RELEASED FOR CONSTRUCTION N/A	
A ISSUED FOR TENDER		19/05/17		BAP	
No. REVISIONS		YYMMDD		BY DATE	

PROFESSIONAL'S SEAL PROVINCE OF MANITOBA B.A.F. PHILLIPS Member 32723 REGISTERED PROFESSIONAL ENGINEER	CONSULTANT FILE NAME W170041 - THEBRICK WALL - SIDEWALK.DWG
---	---

THE CITY OF WINNIPEG PUBLIC WORKS DEPARTMENT ENGINEERING DIVISION		CITY DRAWING NUMBER P-3508-12 SHEET OF 16
2018 REGIONAL STREET RENEWAL PROGRAM ST. JAMES STREET RECONSTRUCTION 50 m N OF ELLICE AVE TO 150 m N OF SARGENT AVE		DRAWING No. 12
RETAINING WALL AT THE BRICK SIDEWALK & CAP BEAM DETAILS		DRAWING No. 12

TENDER 266-2019