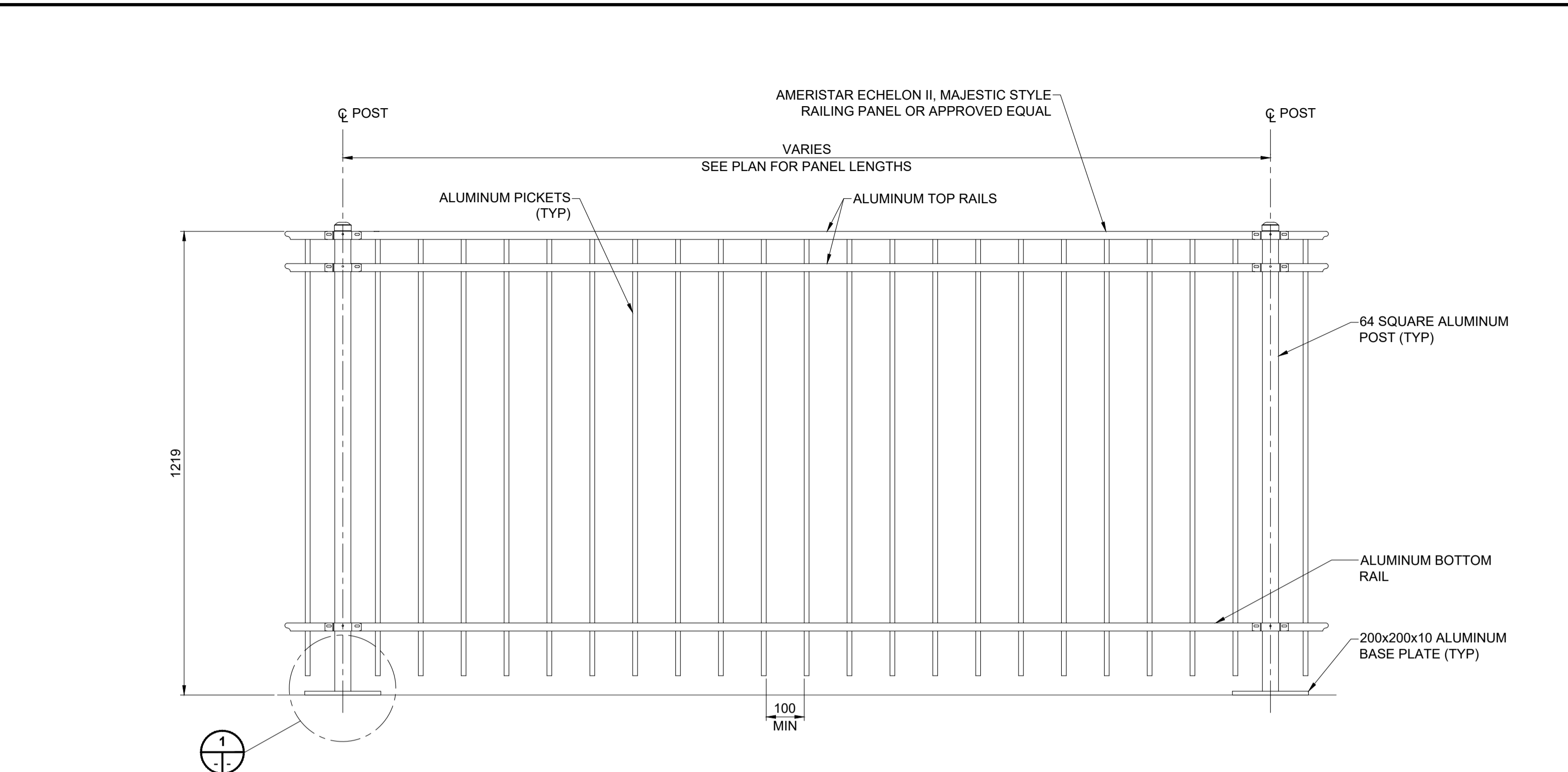
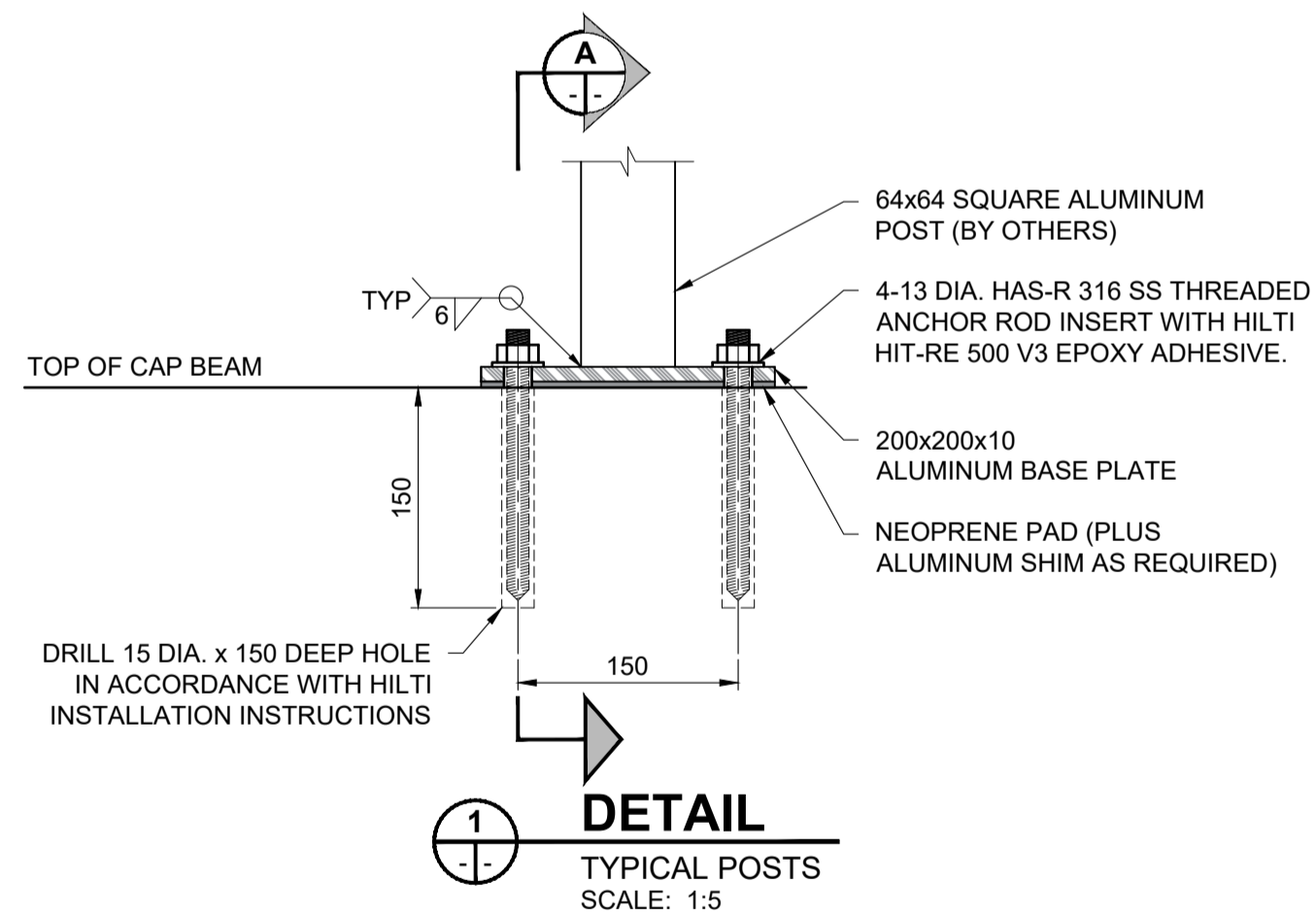


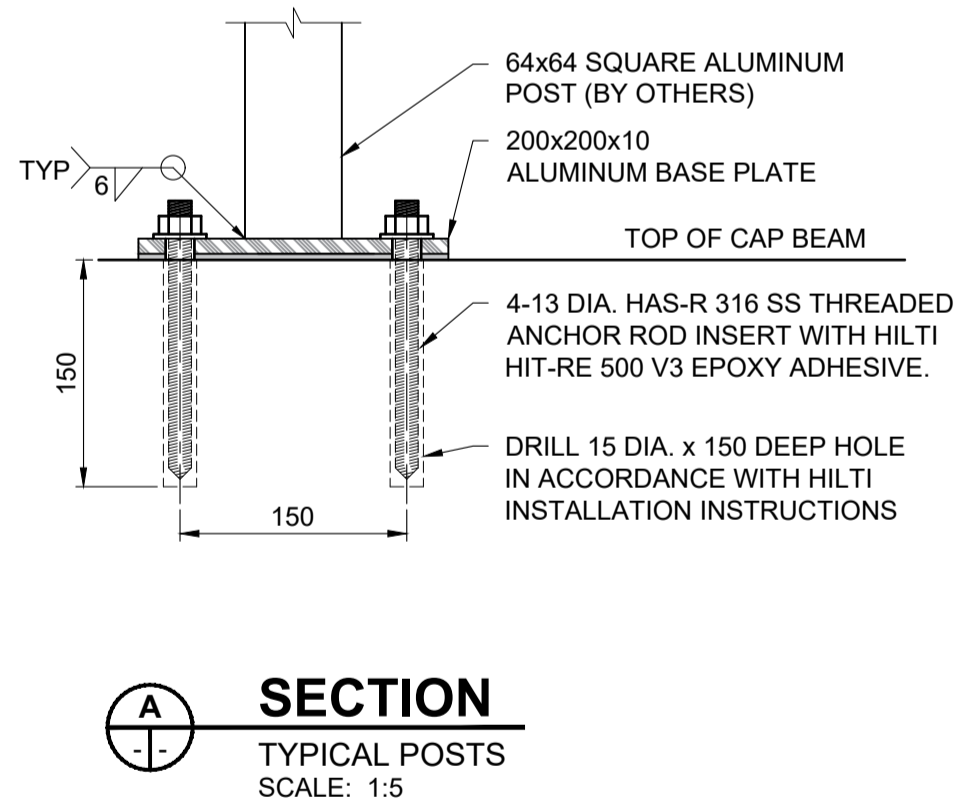
RAILING LAYOUT
SCALE: 1:50



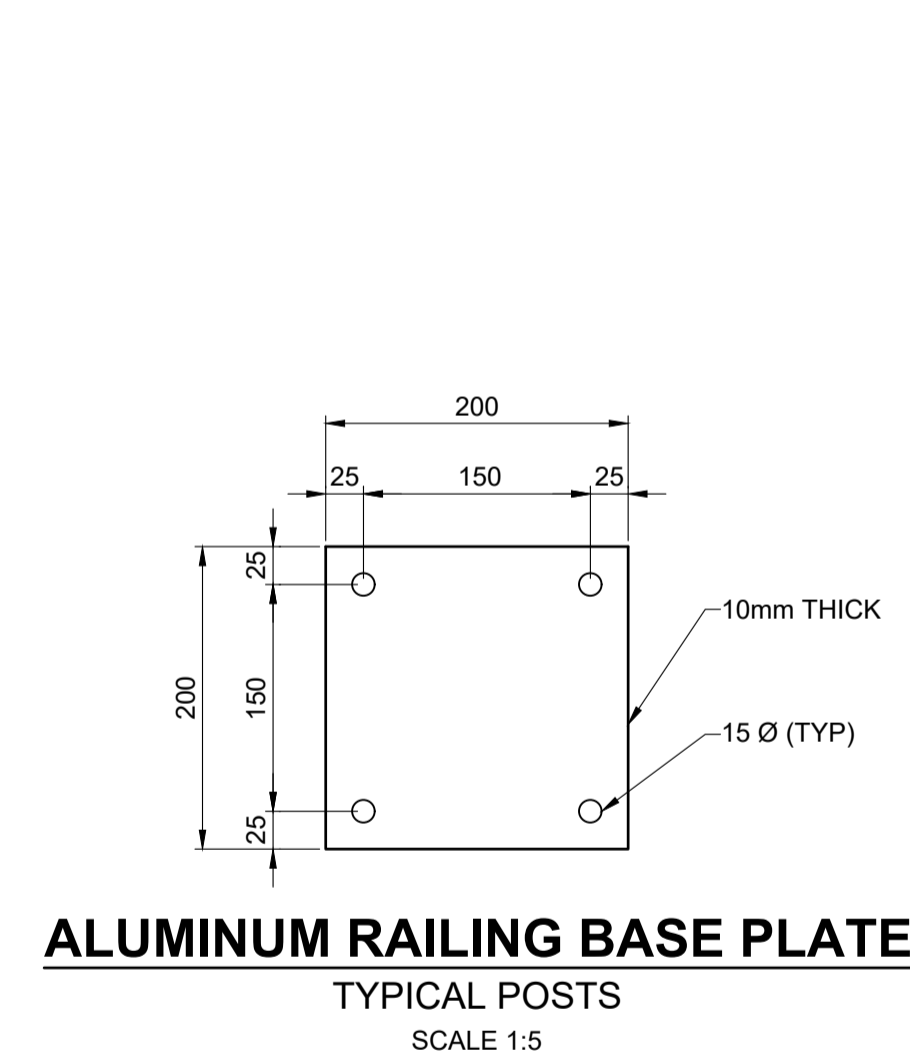
TYPICAL RAILING PANEL
SCALE: 1:10
REFER TO NOTE 1



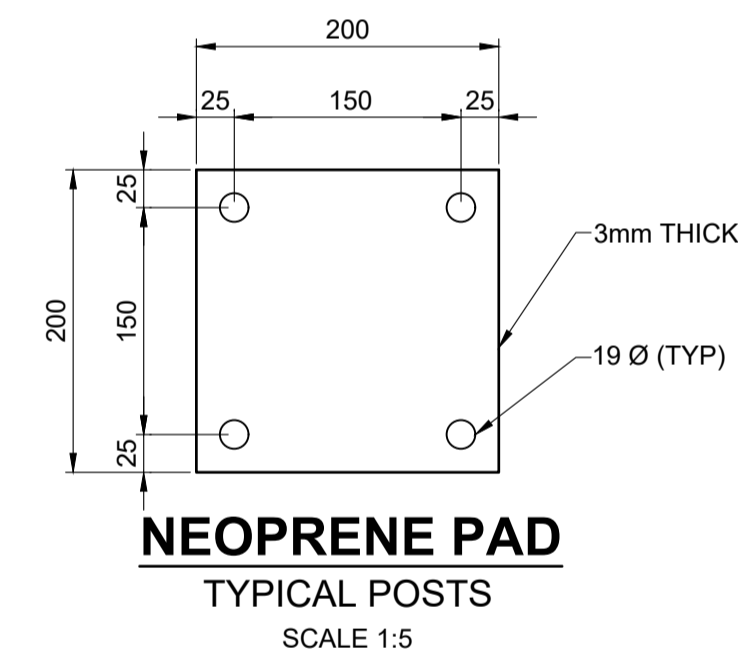
DETAIL
TYPICAL POSTS
SCALE: 1:5



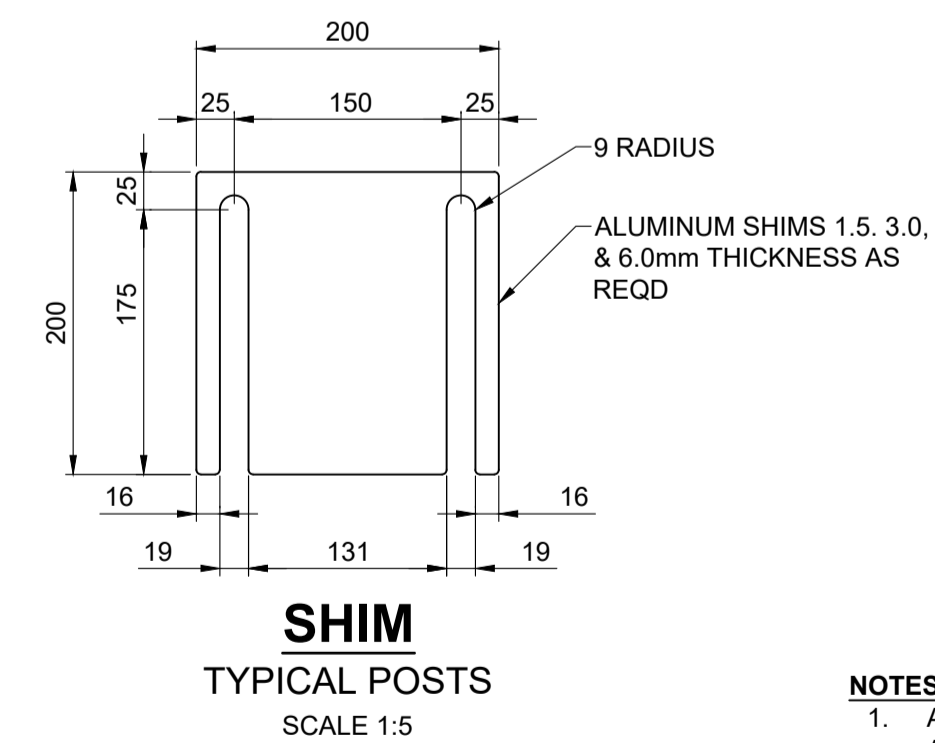
SECTION
TYPICAL POSTS
SCALE: 1:5



ALUMINUM RAILING BASE PLATE
TYPICAL POSTS
SCALE: 1:5



NEOPRENE PAD
TYPICAL POSTS
SCALE: 1:5



SHIM
TYPICAL POSTS
SCALE: 1:5

- NOTES:**
1. ALUMINUM RAILING PANELS SHALL BE AMERISTAR FENCE ECHELON II MAJESTIC STYLE, OR APPROVED EQUAL.
 2. RAIL POSTS AND PICKETS SHALL BE SET PLUMB.
 3. PLACE NEOPRENE PAD UNDER EACH POST BETWEEN BASE PLATE OR SHIM AND CONCRETE SURFACE. ALUMINUM SHIMS MAY BE REQUIRED FOR VERTICAL ALIGNMENT.

TENDER 266-2019



METRIC
WHOLE NUMBERS INDICATE MILLIMETRES
DECIMALIZED NUMBERS INDICATE METRES

LOCATION APPROVED UNDERGROUND STRUCTURES			
SUPR. U/G STRUCTURES	DATE	COMMITTEE	
NOTE: LOCATION OF UNDERGROUND STRUCTURES AS SHOWN ARE BASED ON THE BEST INFORMATION AVAILABLE BUT NO GUARANTEE IS GIVEN THAT ALL EXISTING UTILITIES ARE SHOWN OR THAT THE GIVEN LOCATIONS ARE EXACT. CONFIRMATION OF EXISTENCE AND EXACT LOCATION OF ALL SERVICES MUST BE OBTAINED FROM THE INDIVIDUAL UTILITIES BEFORE PROCEEDING WITH CONSTRUCTION.			

ISSUED FOR TENDER			
No.	REVISIONS	DATE	BY
A	ISSUED FOR TENDER	19/05/17	BAP

MORRISON HERSHFIELD			
DESIGNED BY	ALP	CHECKED BY	BAP
DRAWN BY	ALP	APPROVED BY	BE
HOR SCALE	AS SHOWN	RELEASED FOR CONSTRUCTION	N/A
VERT SCALE			

PROFESSIONAL'S SEAL
 PROVINCE OF MANITOBA
B.A.F. PHILLIPS
 Member
 32723
 REGISTERED PROFESSIONAL ENGINEER
 CONSULTANT FILE NAME
 W170041 - THEBRICK WALL - HANDRAIL.DWG

THE CITY OF WINNIPEG
 PUBLIC WORKS DEPARTMENT
 ENGINEERING DIVISION

2018 REGIONAL STREET RENEWAL PROGRAM
ST. JAMES STREET RECONSTRUCTION
 50 m N OF ELLICE AVE TO 150 m N OF SARGENT AVE

RETAINING WALL AT THE BRICK
 PEDESTRIAN RAILING DETAILS

CITY DRAWING NUMBER
 P-3508-13
 SHEET 13 OF 16
 DRAWING No.
 13