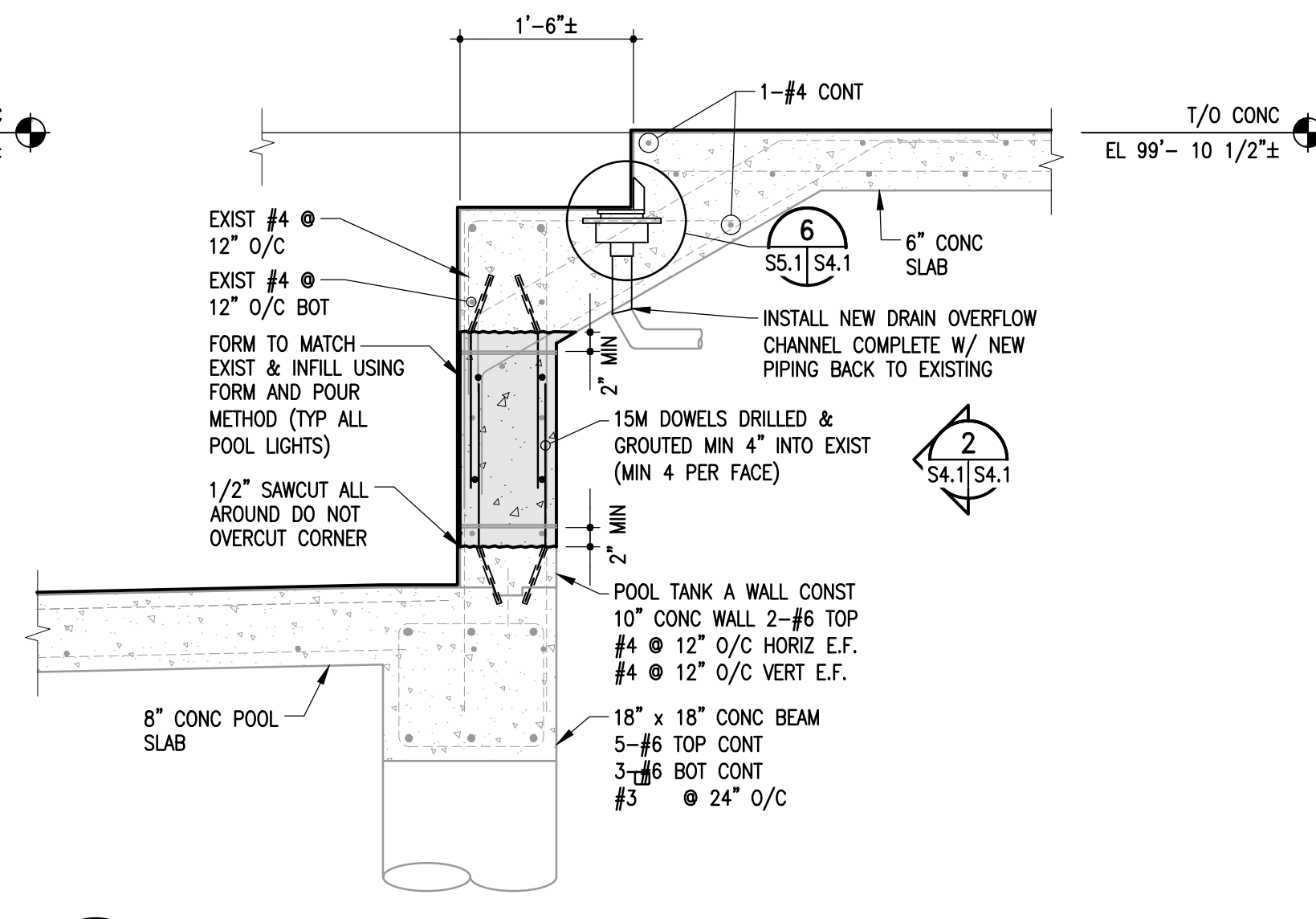
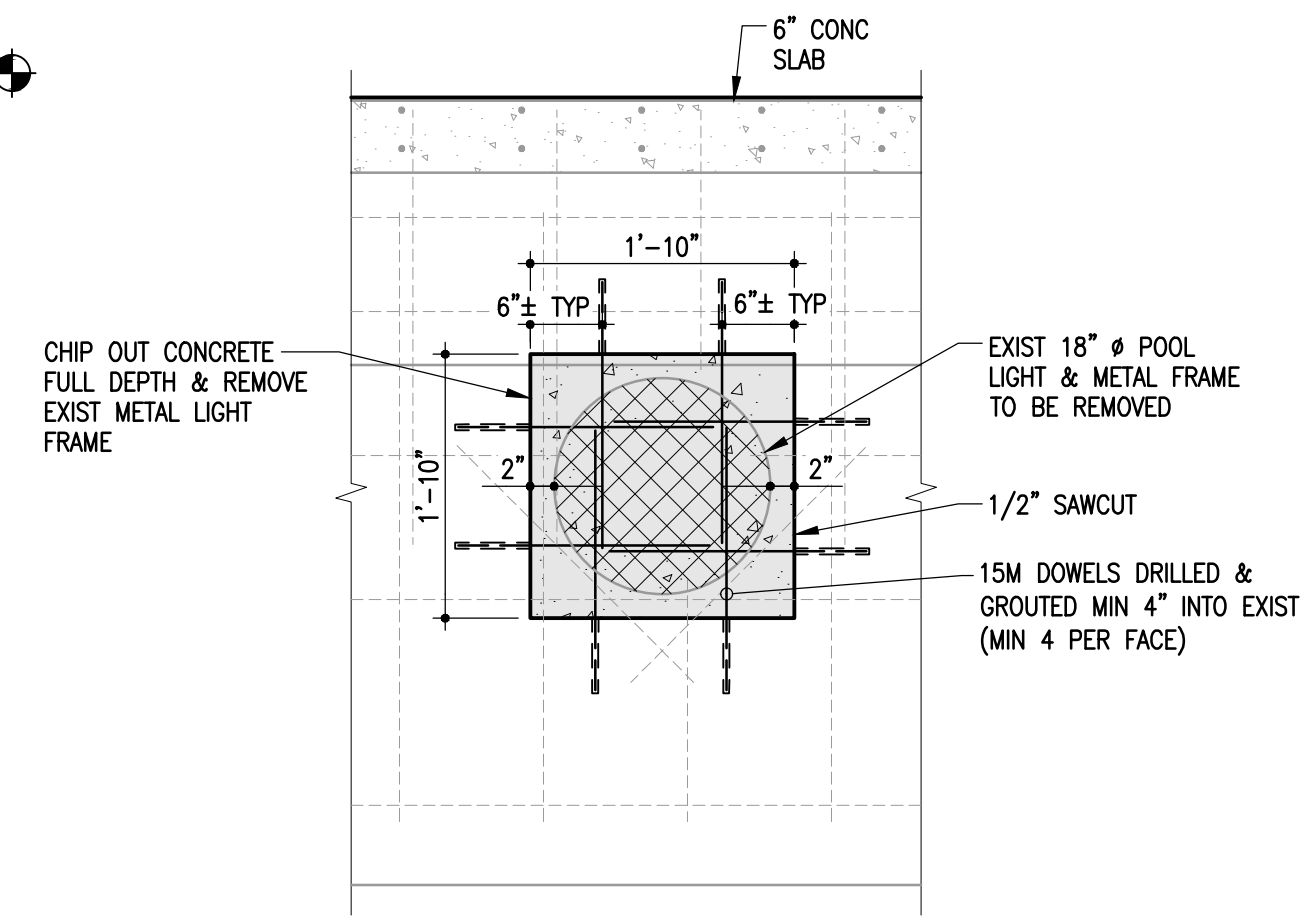


1A EXISTING SECTION AT LIGHT INFILL
S2.2 | S4.1 | 3/4" = 1'-0"



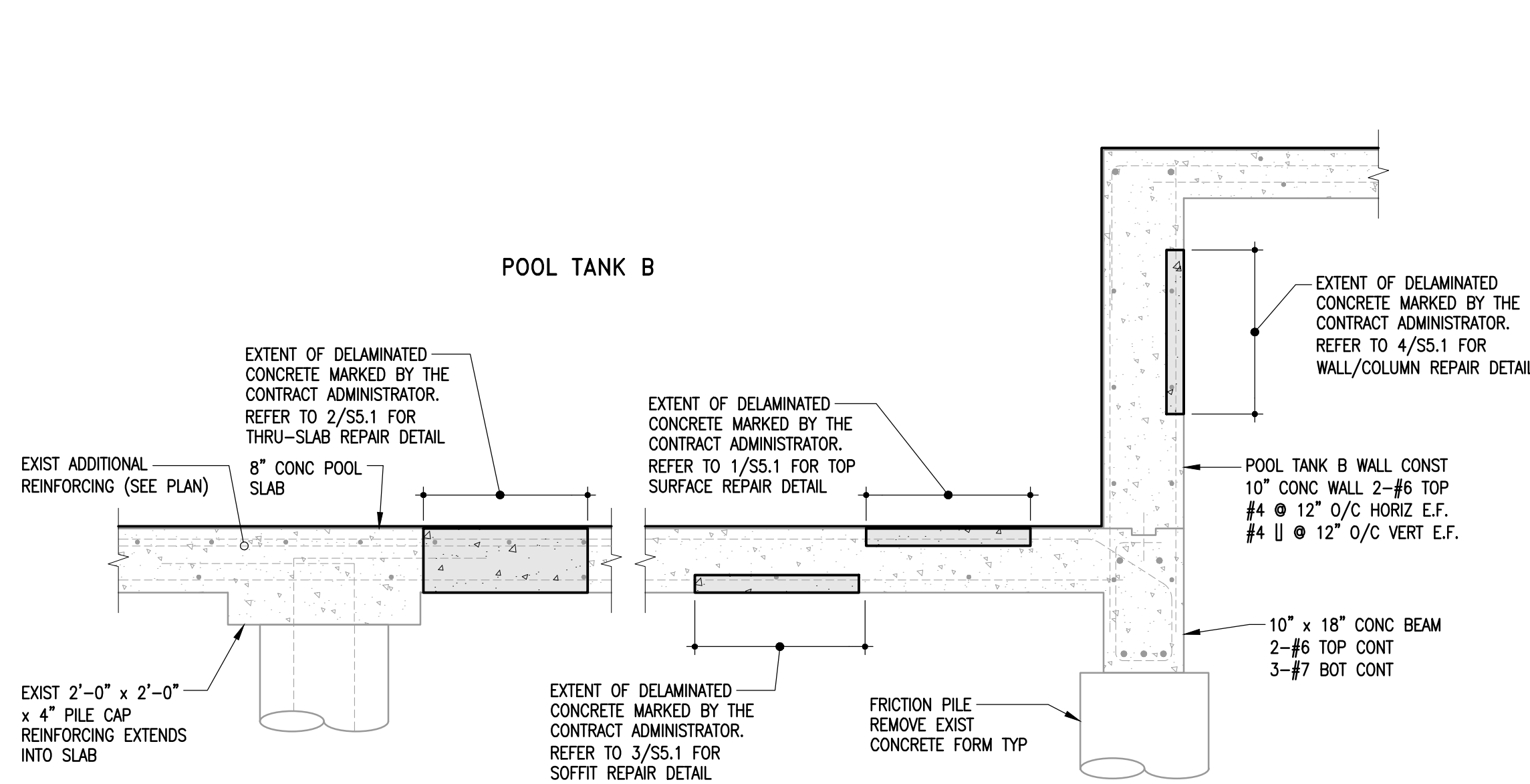
1B SECTION AT LIGHT INFILL
S2.2 | S4.1 | 3/4" = 1'-0"



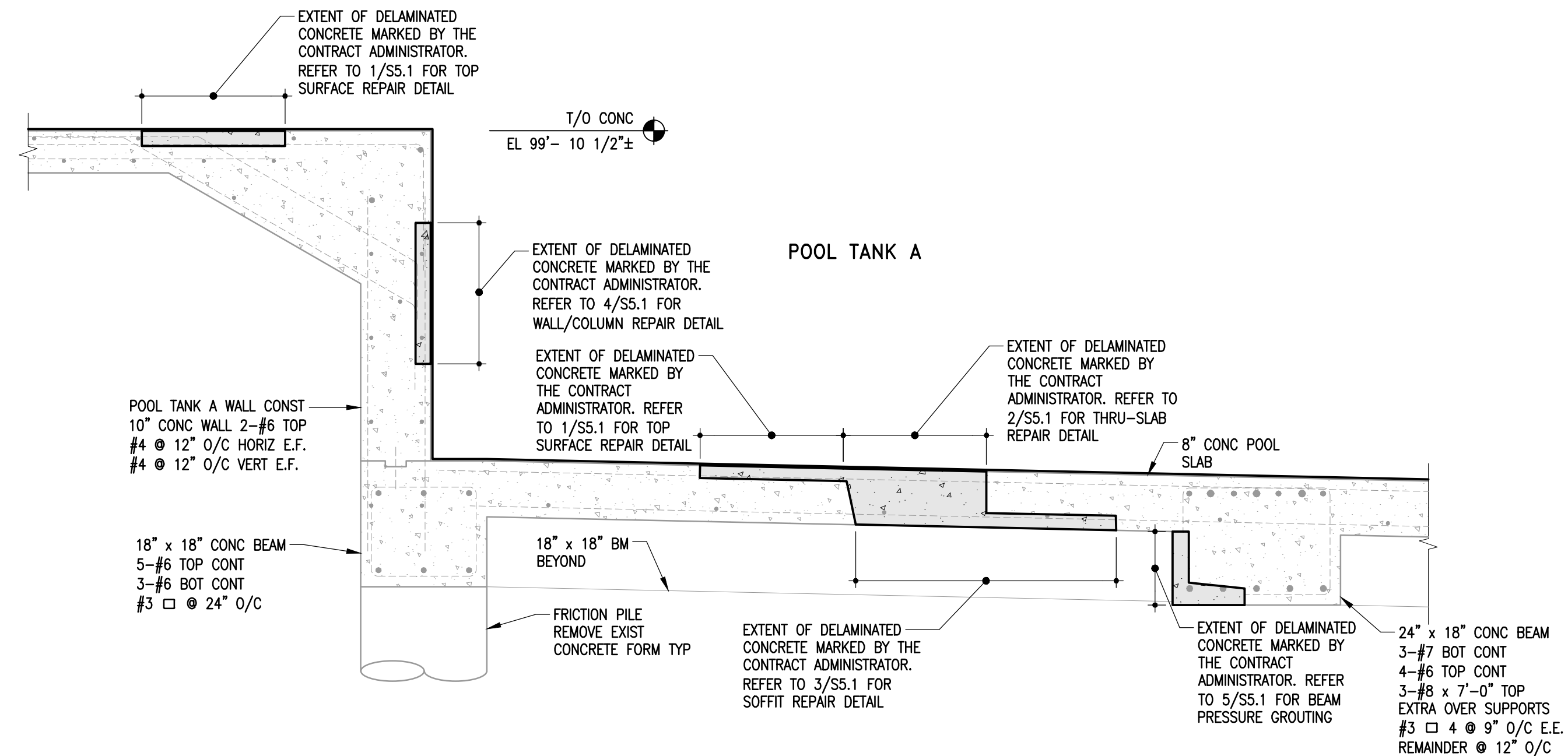
2 LIGHT INFILL ELEVATION
S4.1 | S4.1 | 3/4" = 1'-0"

The General Contractor shall check & verify all dimensions and report any errors or omissions to the designers.

No.	Date	Issue/Revision	By
0	2019-08-07	ISSUED FOR TENDER	DJM



3 POOL EDGE SECTION - POOL B
S2.2 | S4.1 | 3/4" = 1'-0"



4 POOL EDGE SECTION - POOL A
S2.2 | S4.1 | 3/4" = 1'-0"

NOTE:
PRELIMINARY
DRAWING
DO NOT USE FOR
CONSTRUCTION



300-275 Carlton Street
Winnipeg, Manitoba R3C 5R6
T 204-943-7501
F 204-943-7507



Crosier Kilgour
& Partners Ltd.
CONSULTING STRUCTURAL ENGINEERS

Project
BONIVITAL POOL
POOL DECK AND TANKS RESTORATION
TENDER NO. : 286-2019
1215 ARCHIBALD STREET
WINNIPEG, MANITOBA

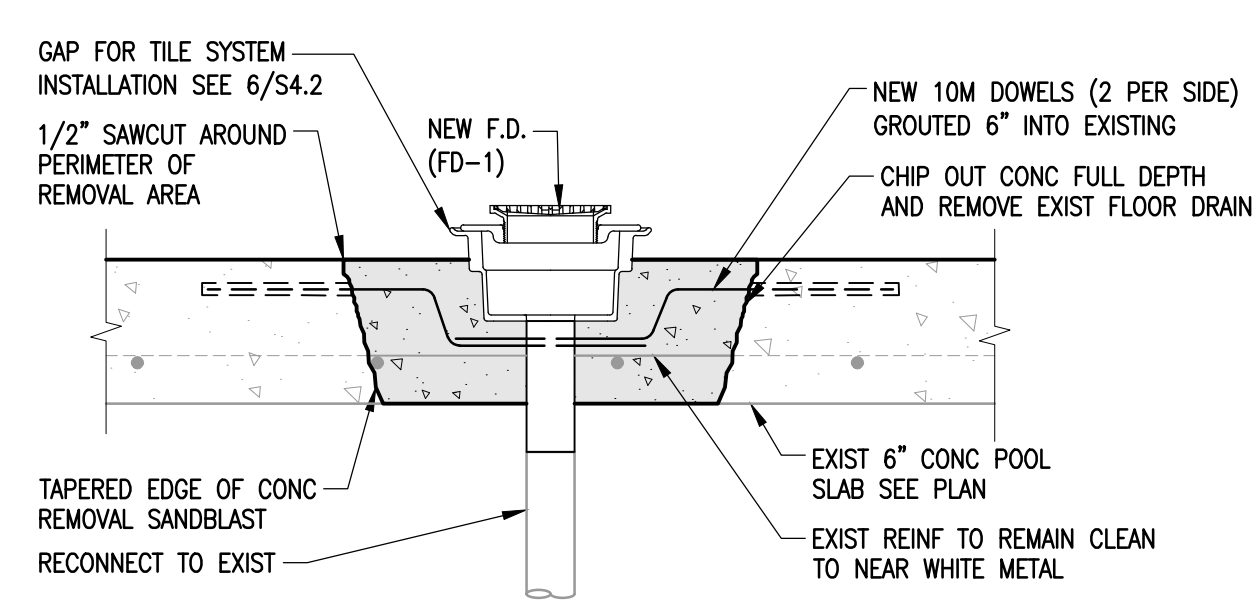
Sheet Title
**STRUCTURAL REPAIR
SECTIONS AND DETAILS**

File 2018-1471 Date 2019-08-07

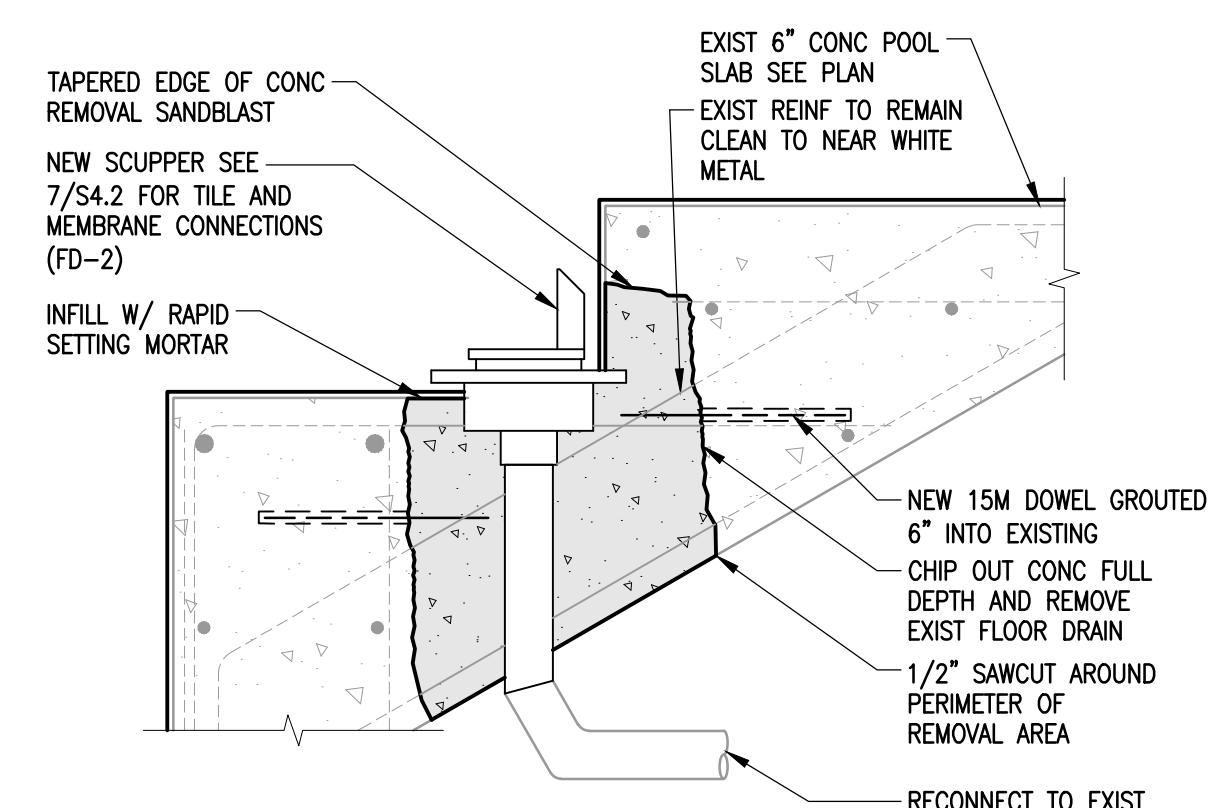
Design DJM Drawn MAH

Revision Sheet No.

0 S4.1



5 NEW FLOOR DRAIN DETAIL
S2.2 | S4.1 | 1 1/2" = 1'-0"



6 SCUPPER DETAIL
S4.1 | S4.1 | 1 1/2" = 1'-0"