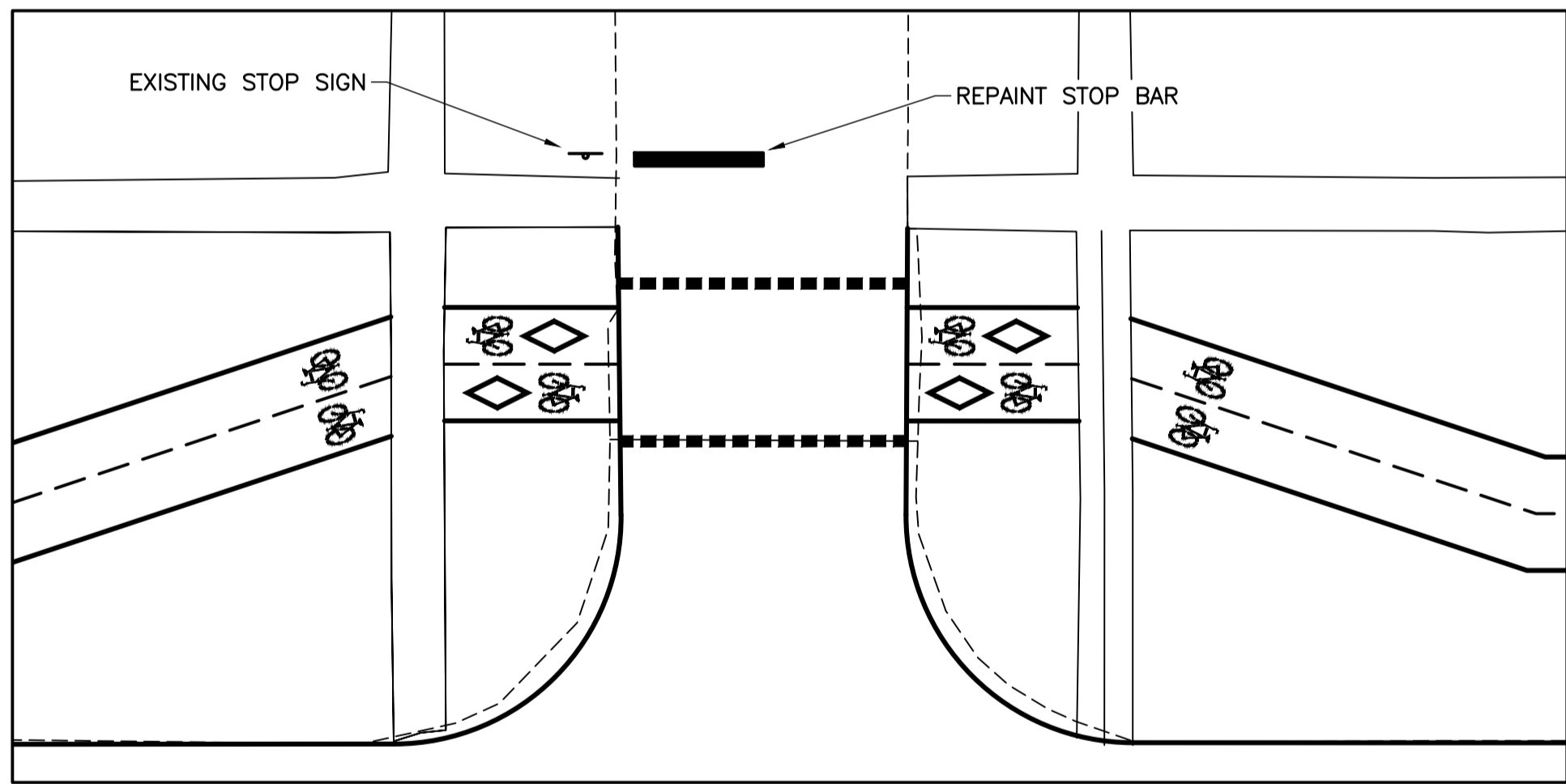
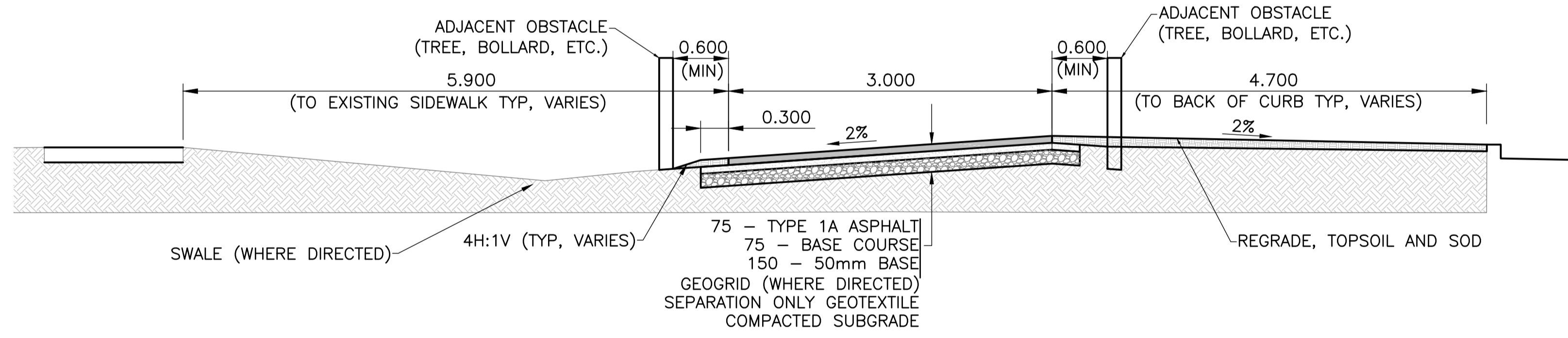


SIGN PLACEMENT PLAN



TYPICAL MINOR INTERSECTION PAINT PLAN



TYPICAL PATH CROSS-SECTION

- NOTES:**
1. STATION IN CENTRE OF RIGHT-OF-WAY UNLESS OTHERWISE NOTED.
 2. SOUTH PROPERTY LINE OF KILDARE AVENUE IS STA 1+00
 3. ALL MEASUREMENTS TO BACK OF CURB.
 4. ALL EXISTING TREES TO BE PROTECTED AND MAINTAINED THROUGHOUT CONSTRUCTION UNLESS NOTED OTHERWISE.
 5. HAND OR SOFT DIG METHODS REQUIRED OVER GAS UTILITIES AT INTERVALS DETERMINED BY THE ENGINEER TO DETERMINE DEPTH OF COVER.
 6. NO WORKS, INCLUDING CONCRETE CUTTING OR BREAKING, TO BE UNDERTAKEN NEAR GAS LINES UNTIL DEPTH OF COVER IS DETERMINED AND A MANITOBA HYDRO SAFETY WATCH REPRESENTATIVE IS ON SITE.
 7. NO VIBRATORY COMPACTION PERMITTED WITHIN 1.0M OF GAS MAINS.
 8. INSTALL MODIFIED BARRIER CURB AT ALL INTERSECTION RADII, ALLEY RADII, AND BULLNOSES.
 9. CONSTRUCT NEW MONOLITHIC CURB RAMP (10mm HEIGHT INTEGRAL)
 10. INSTALL DETECTABLE WARNING SURFACE TILE AT STREET INTERSECTIONS.
 11. REMOVE EXISTING CURB AND CONSTRUCT NEW BARRIER CURB 150mm REVEAL, DOWELED.
 12. INSTALL CATCH PIT AND BARRIER CURB AND GUTTER INLET FRAME (SD-023). INSTALL NEW 250 LEAD @ 2% MINIMUM GRADE
 13. INSTALL NEW CATCH BASIN AND STANDARD FRAME (SD-024). INSTALL NEW 250 LEAD @ 2% MINIMUM GRADE
 14. CONCRETE REPAIRS SHOWN BASED ON VISUAL INSPECTION PRIOR TO REMOVAL OF ASPHALT OVERLAY. FINAL REPAIR LIMITS AND DIMENSIONS MAY VARY FROM THOSE SHOWN.
 15. ADJUST ALL WATER VALVES, WATER SERVICE VALVES, MANHOLES AND CATCH BASINS TO GRADE.

LOCATIONS OF UNDERGROUND STRUCTURES AS SHOWN ARE BASED ON THE BEST INFORMATION AVAILABLE. BUT NO GUARANTEE IS GIVEN THAT ALL EXISTING UTILITIES ARE SHOWN OR THAT THE GIVEN LOCATIONS ARE EXACT. CONFIRMATION OF THE EXISTENCE AND EXACT LOCATION OF ALL SERVICES MUST BE OBTAINED FROM INDIVIDUAL UTILITIES BEFORE PROCEEDING WITH CONSTRUCTION.

PROPERTY LIMITS DELINEATION
DELINEATION OF PROPERTY LIMITS AS SHOWN ON THIS DWG DOES NOT REPRESENT A "LEGAL SURVEY". KGS GROUP MAKES NO REPRESENTATION OR WARRANTY AS TO THE ACCURACY OF PROPERTY LIMITS DELINEATED ON THIS DWG, NOR ON THE DIMENSIONAL ACCURACY OF DWG FEATURES RELATIVE TO THOSE PROPERTY LIMITS.

WARNING
NOTIFY THE GAS COMPANY OF THE PROPOSED LOCATION OF EXCAVATION.
TAKE PRECAUTION TO AVOID DAMAGE TO GAS COMPANY INSTALLATIONS.
SEE PROVINCIAL REGULATION 210/72 FOR DETAILS.

METRIC
WHOLE NUMBERS INDICATE MILLIMETRES
DECIMALIZED NUMBERS INDICATE METRES

PRELIMINARY
NOT TO BE USED FOR CONSTRUCTION

300 LBS	LAND DRAINAGE SEWER	300 LBS	•	TEST HOLE				
250 WWS	WASTE WATER SEWER	250 WWS	—	GUY WIRE				
---	GAS	---	---	LIGHT STANDARD				
---	HYDRO	---	---	BACK OF CURB				
---	M.T.S.	---	---	PARTIAL DEPTH REPAIR				
150 WM	WATERMAIN	150 WM	---	CONCRETE				
+	HYDRANT	+	+	ASPHALT				
⊗	VALVE	⊗	⊗	SIDEWALK				
⊙	MANHOLE	⊙	⊙	PROPERTY LINE				
□	CATCH BASIN	□	□	SURVEY BAR				
▽	CURB INLET	▽	▽	GEODETIC BENCHMARK				
•	POLES	•	•	ELEVATION				
•	LEGEND-PLAN	•	•	(32.231)				
•	PROPOSED	•	•	T T T T				
•	EXISTING	•	•	LEGEND-PROFILE				

LOCATION APPROVED UNDERGROUND STRUCTURES

SUPV. U/G STRUCTURES COMMITTEE DATE

NOTE:
LOCATION OF UNDERGROUND STRUCTURES AS SHOWN ARE BASED ON THE BEST INFORMATION AVAILABLE BUT NO GUARANTEE IS GIVEN THAT ALL EXISTING UTILITIES ARE SHOWN OR THAT THE GIVEN LOCATIONS ARE EXACT. CONFIRMATION OF EXISTENCE AND EXACT LOCATION OF ALL SERVICES MUST BE OBTAINED FROM THE INDIVIDUAL UTILITIES BEFORE PROCEEDING WITH CONSTRUCTION.

B.M.	KGS_BASE	COORDINATE SYSTEM:	CGVD28
ELEV.	249.221		
B	ISSUED FOR TENDER	19/05/02	
A	ISSUED FOR REVIEW	19/03/05	
NO.	REVISIONS	DATE	BY

		ENGINEER'S SEAL	
		DESIGNED BY: MH	CHECKED BY:
DRAWN BY: MH		APPROVED BY:	
HOR. SCALE: 2019/01/24		RELEASED FOR CONSTRUCTION: DATE	

CONSULTANT DRAWING NO. **C121**

THE CITY OF WINNIPEG
PUBLIC WORKS DEPARTMENT
ENGINEERING DIVISION

2019 LOCAL STREET PACKAGE
DAY STREET
BICYCLE PATH PAINT, SIGNAGE AND DETAILS

SHEET 21 OF 21
COMPUTER FILE NAME: 18-0107-016_35 DAY.DWG
CITY DRAWING NUMBER: -