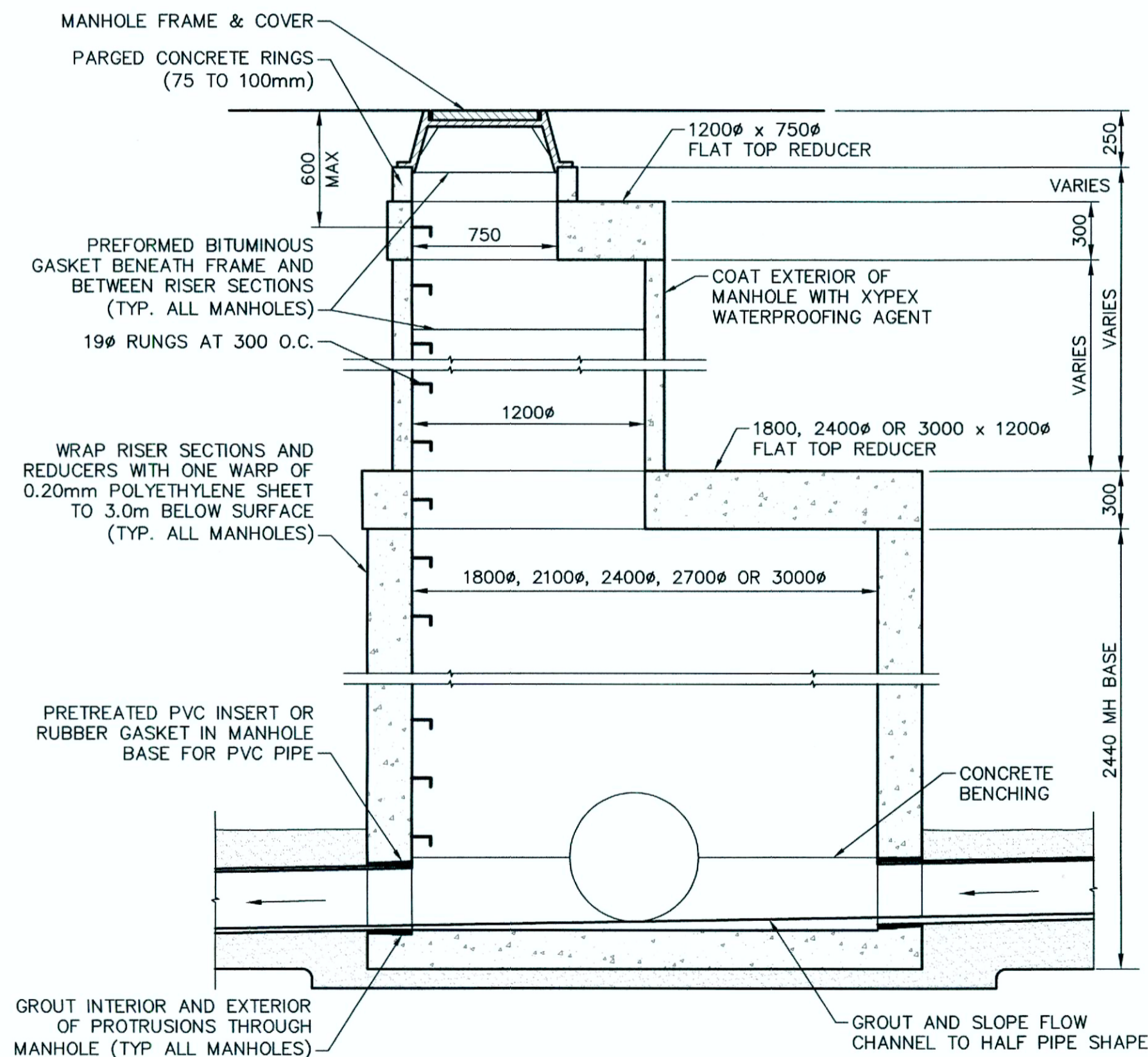
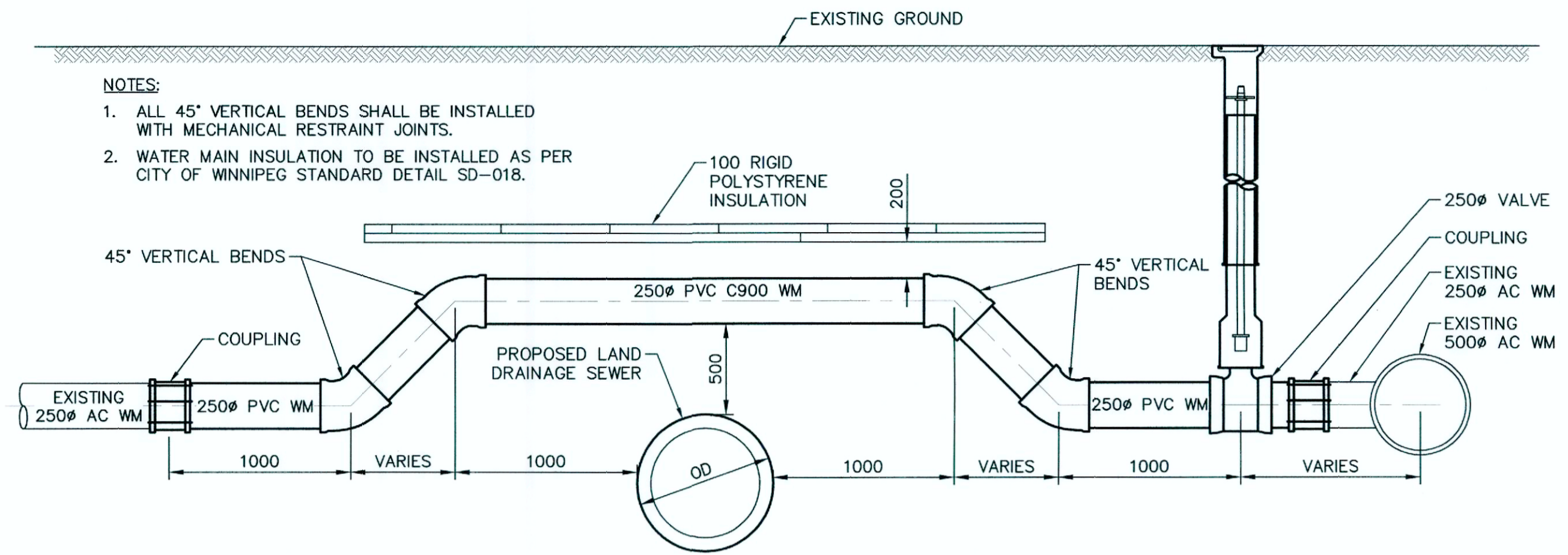


TYPICAL 1200 ϕ - 1500 ϕ MANHOLE DETAIL
SCALE 1:25

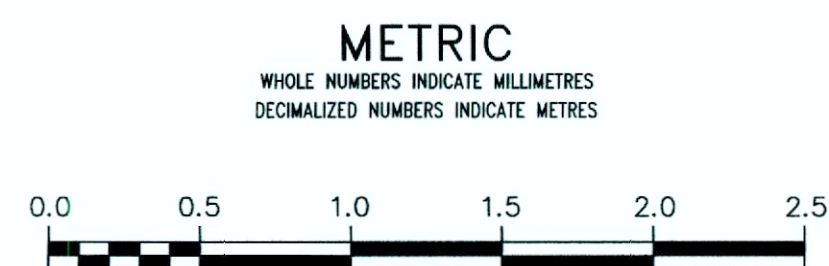


TYPICAL LARGE DIAMETER MANHOLE DETAIL
SCALE 1:25



250 ϕ WATER MAIN CROSSING DETAIL
SCALE 1:25

- NOTES:**
1. ALL 45° VERTICAL BENDS SHALL BE INSTALLED WITH MECHANICAL RESTRAINT JOINTS.
 2. WATER MAIN INSULATION TO BE INSTALLED AS PER CITY OF WINNIPEG STANDARD DETAIL SD-018.



WARNING

IF POWER EQUIPMENT OR EXPLOSIVES ARE TO BE USED FOR EXCAVATION ON THIS PROJECT THE CONTRACTOR MUST:

- 1) NOTIFY THE GAS COMPANY OF THE PROPOSED LOCATION OF EXCAVATION.
- 2) TAKE PRECAUTION TO AVOID DAMAGE TO GAS COMPANY INSTALLATIONS.

SEE PROVINCIAL REGULATION 210/72 FOR DETAILS

LOCATION APPROVED
UNDERGROUND STRUCTURES

SUPV. U/G STRUCTURES COMMITTEE DATE

NOTE:

LOCATION OF UNDERGROUND STRUCTURES AS SHOWN ARE BASED ON THE BEST INFORMATION AVAILABLE BUT NO GUARANTEE IS GIVEN THAT ALL EXISTING UTILITIES ARE SHOWN OR THAT THE GIVEN LOCATIONS ARE EXACT. CONFIRMATION OF EXISTENCE AND EXACT LOCATION OF ALL SERVICES MUST BE OBTAINED FROM THE INDIVIDUAL UTILITIES BEFORE PROCEEDING WITH CONSTRUCTION.

NO.	REVISIONS	DATE	BY
1	ISSUED FOR ADDENDUM 2	2019/05/02	MID
0	ISSUED FOR CONSTRUCTION	2019/04/17	MID

		DESIGNED BY	MID	CHECKED BY	JMM
		DRAWN BY	GEL	APPROVED BY	RBO
SCALE:		RELEASED FOR CONSTRUCTION			
HORIZONTAL		1: 250			
VERTICAL		1: 50			
DATE		2019 05 02			
PLOT DATE:		2019 05 02			

ENGINEERS GEOSCIENTISTS MANITOBA

Certificate of Authorization
KGS Group
No. 245

ENGINEER'S SEAL

CONSULTANT DRAWING NUMBER
11-0107-18-C12_LD-8954

THE CITY OF WINNIPEG
WATER AND WASTE DEPARTMENT
ENGINEERING DIVISION

COCKBURN & CALROSSIE SEWER RELIEF WORKS

CONTRACT 12

MISCELLANEOUS DETAILS

SHEET 12 OF 12
CITY DRAWING NUMBER
LD-8954