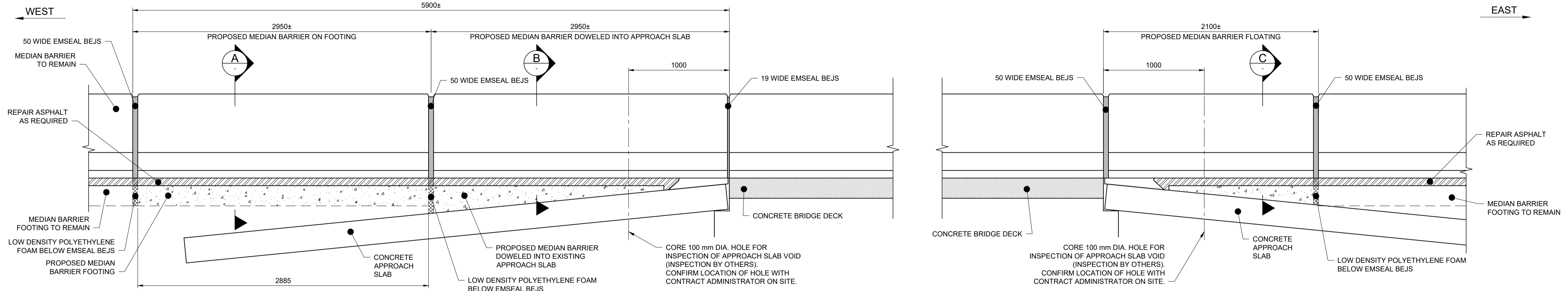
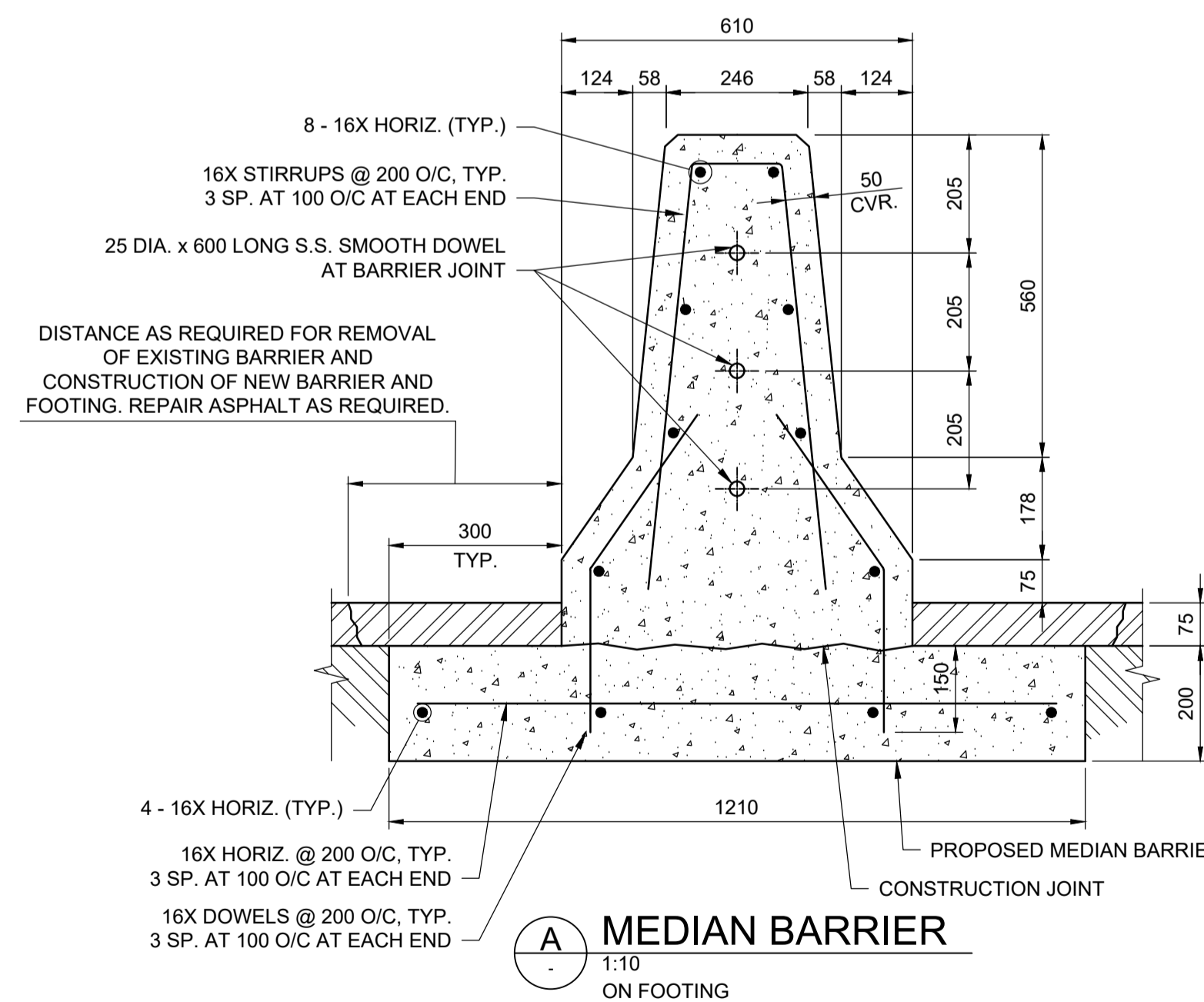


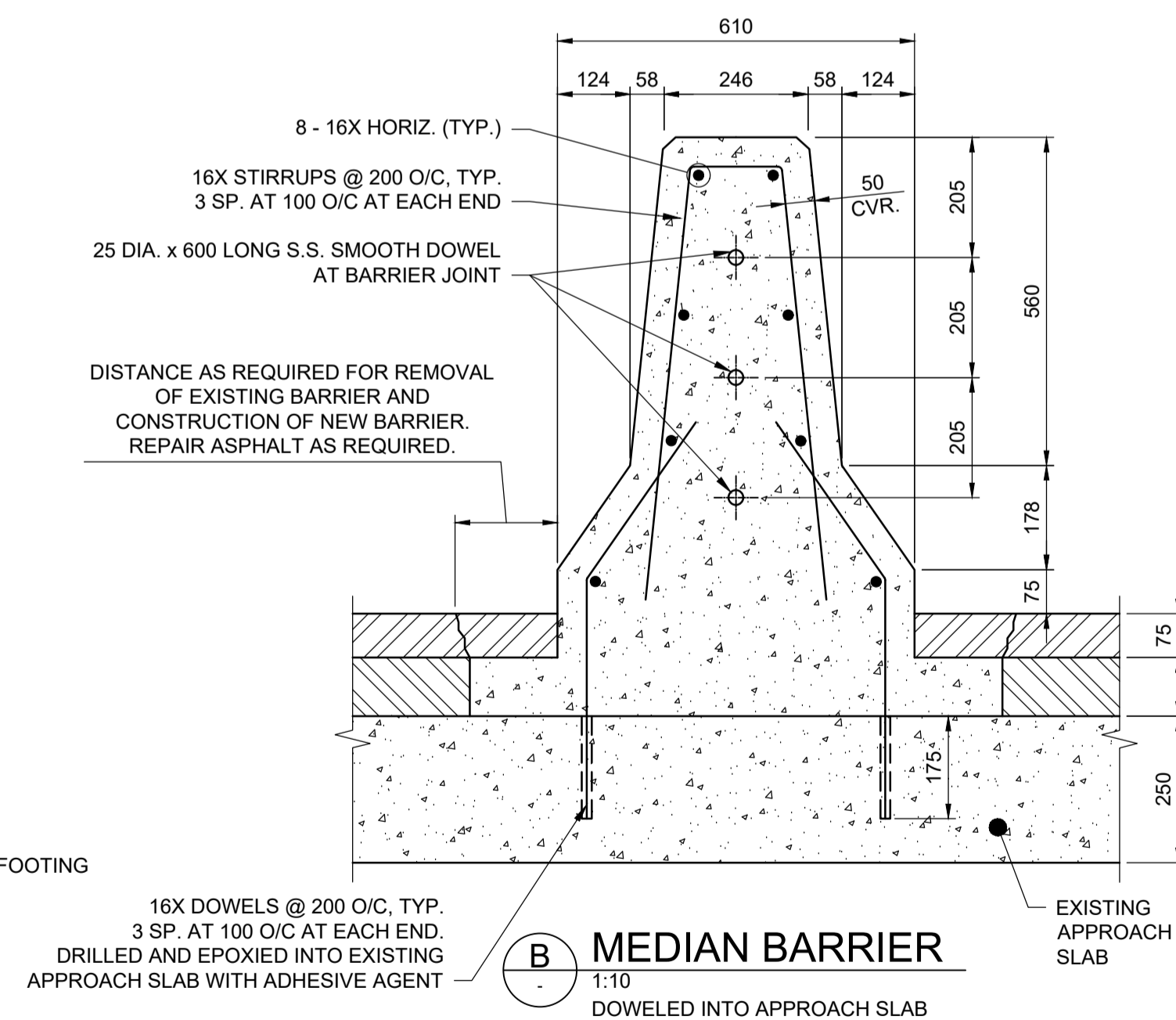
**MEDIAN BARRIER PLAN (EXISTING)**  
1:20



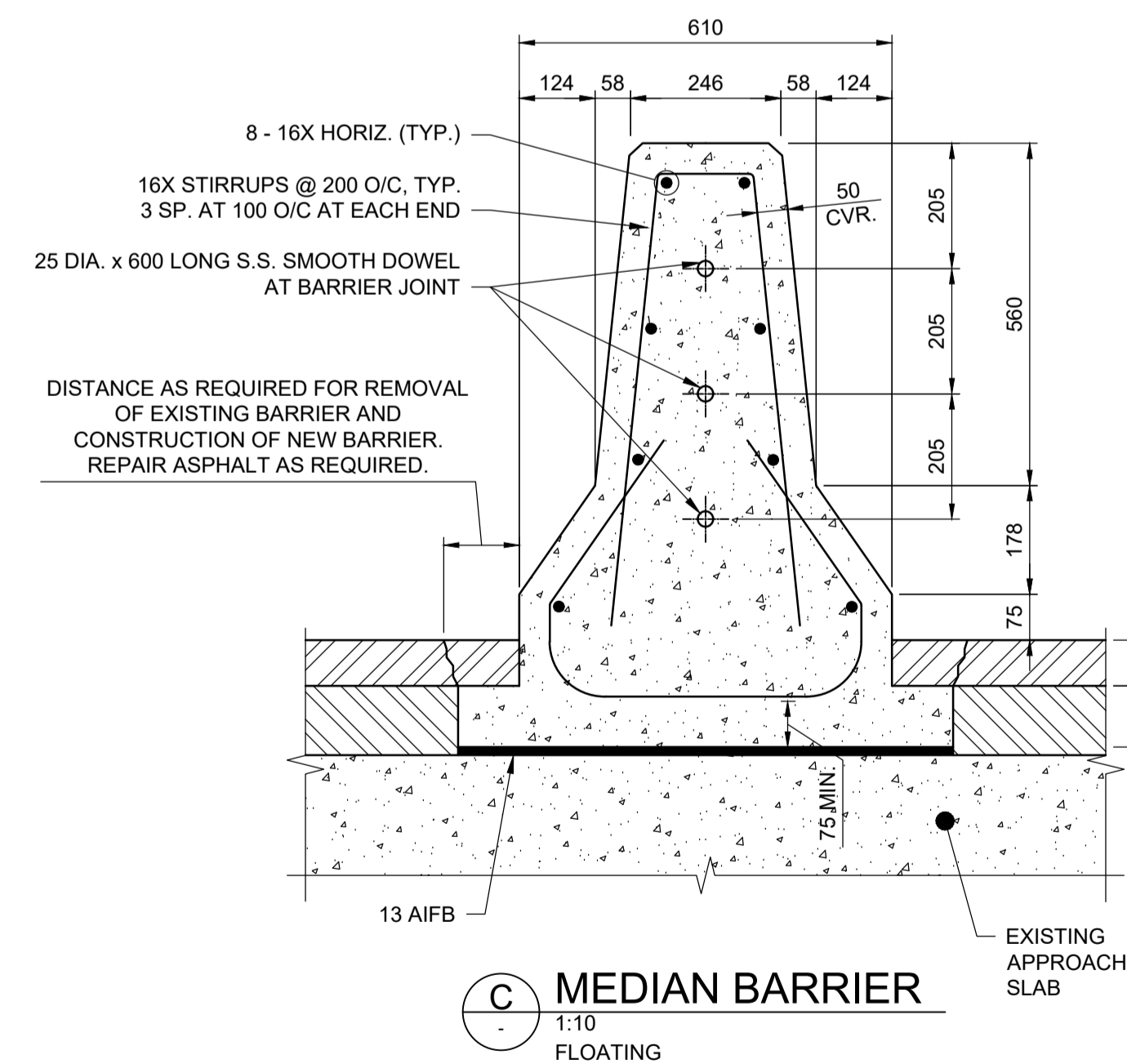
**MEDIAN BARRIER ELEVATION (PROPOSED)**  
1:20  
LOOKING NORTH



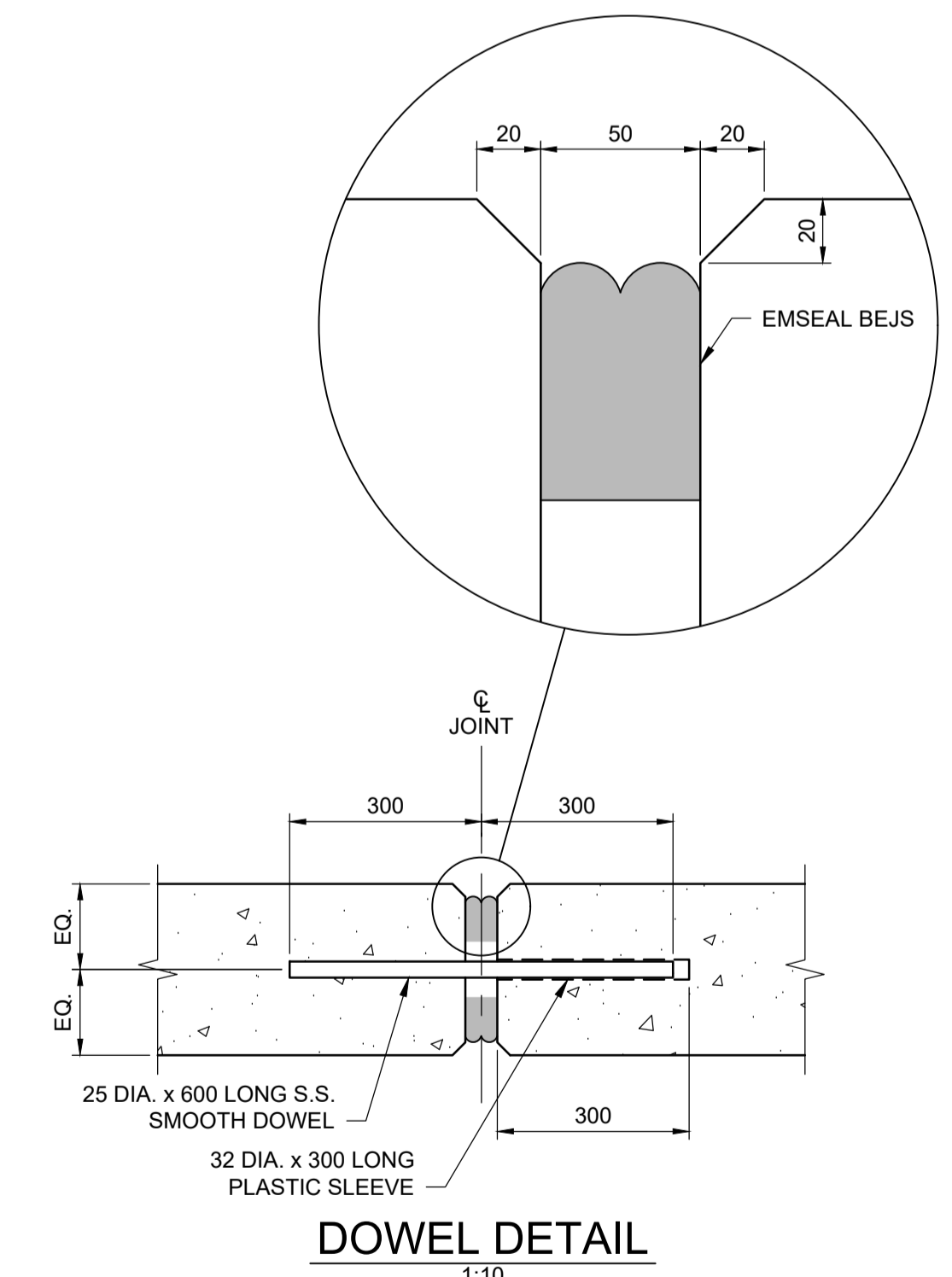
**A MEDIAN BARRIER**  
1:10  
ON FOOTING



**B MEDIAN BARRIER**  
1:10  
DOWELED INTO APPROACH SLAB



**C MEDIAN BARRIER**  
1:10  
FLOATING



**DOWEL DETAIL**  
1:10

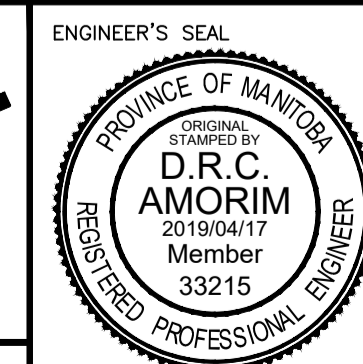
- NOTES:
- DIMENSIONS SHOWN OF EXISTING BARRIERS ARE APPROXIMATE.
  - DIMENSIONS SHOWN OF PROPOSED BARRIERS ARE APPROXIMATE. LAYOUT ACTUAL DIMENSIONS WITH CONTRACT ADMINISTRATOR ON SITE.
  - SEE SPECIFICATION FOR BARRIER REPLACEMENT DETAILS.
  - ALL REINFORCING BARS MARKED WITH 'X' FOR CONCRETE REPAIR WORKS SHALL CONFORM TO THE REQUIREMENTS OF ASTM A1035 CS GRADE 100 LOW-CARBON CHROMIUM STEEL.

**METRIC**

WHOLE NUMBERS INDICATE MILLIMETRES  
DECIMALIZED NUMBERS INDICATE METRES



B.M. ELEV.	DESIGNED BY	KB
	DRAWN BY	MDG
	CHECKED BY	DRA
	APPROVED BY	RJT
	HOR. SCALE	—
	VERTICAL	—
	DATE	2019/04/17
1 ISSUED FOR CONSTRUCTION	19/04/17	KB
NO. REVISIONS	DATE	BY



**THE CITY OF WINNIPEG**  
PUBLIC WORKS DEPARTMENT

2019 BRIDGE MAINTENANCE  
B117 DUGALD BRIDGE

2019 BRIDGE MAINTENANCE  
B117 DUGALD BRIDGE

CITY DRAWING NUMBER  
B117-19-02

SHEET 04 OF 07

CONSULTANT PROJECT NUMBER  
19-9109

CONSULTANT DRAWING NUMBER  
—