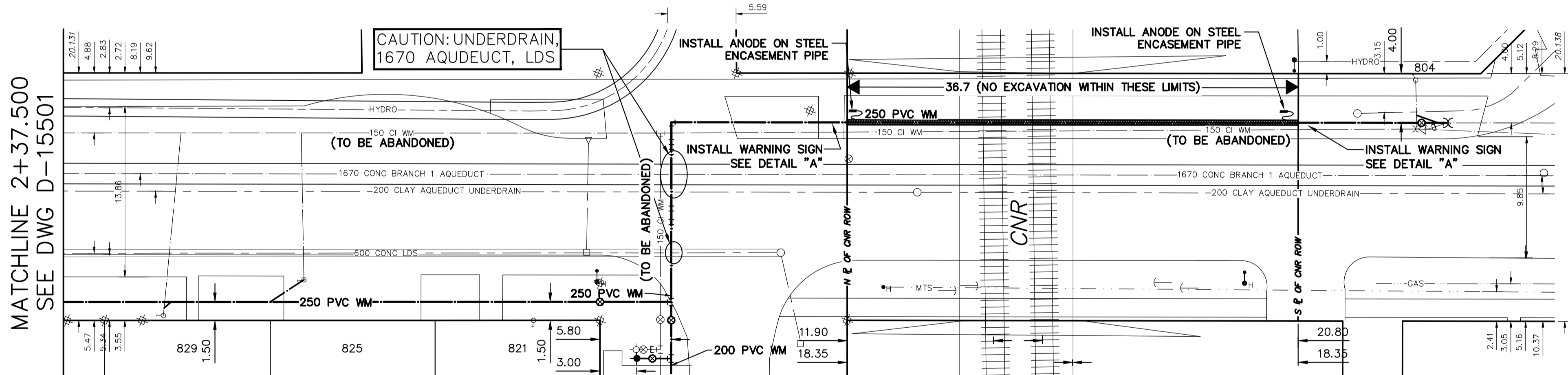


NOTE: CHAINAGES SHOWN ARE ALONG E. R. OF RUE ST JOSEPH

RUE ST JOSEPH

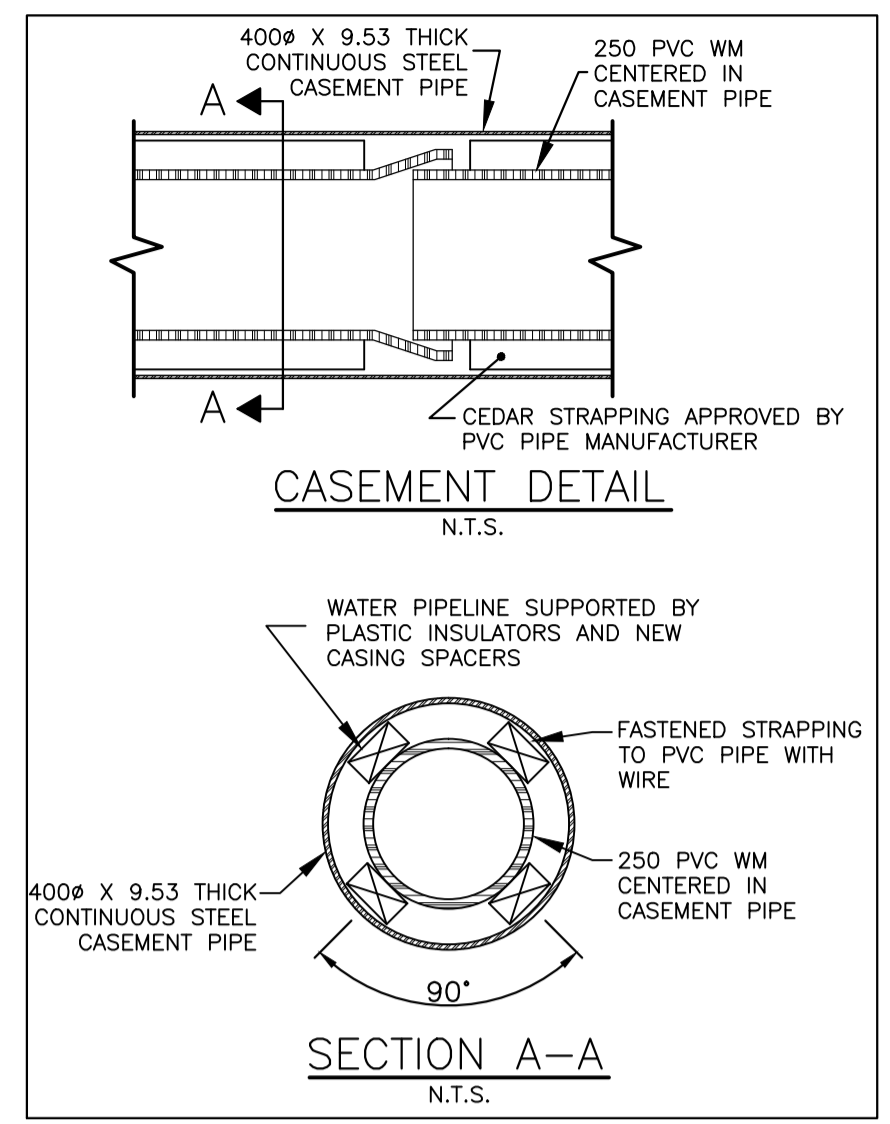


WATER SERVICE INFORMATION

ADDRESS	SIZE (mm) MATERIAL (STREET)	SIZE (mm) MATERIAL (PROP.)	SHORT & LONG MEASUREMENT	CORP. LOCATION	REMARKS
829 ST JOSEPH ST RESIDENTIAL	20 CU	20 CU	0.89m SNL HSE	1.4 S OF S/C	RECONNECT SERVICE
825 ST JOSEPH ST RESIDENTIAL	20 CU	20 CU	35.529m NSL RUE DAREAU	0.2 N OF S/C	RECONNECT SERVICE
821 ST JOSEPH ST RESIDENTIAL	20 CU	20 CU	24.085m NSL RUE DAREAU	-	RECONNECT SERVICE
804 ST JOSEPH ST RESIDENTIAL	20 CU	20 CU	5.423m NSL RUE DAREAU	-	RECONNECT SERVICE
800 ST JOSEPH ST RESIDENTIAL	20 CU	20 CU	4.16m SNL HSE	0.1 S OF S/C	RECONNECT SERVICE
796 ST JOSEPH ST RESIDENTIAL	20 CU	20 CU	34.270m NSL RUE DAREAU	5.6 S OF S/C	RECONNECT SERVICE
792 ST JOSEPH ST RESIDENTIAL	20 CU	20 CU	19.303m NSL RUE DAREAU	5.6 N OF S/C	RECONNECT SERVICE
788 ST JOSEPH ST RESIDENTIAL	20 CU	20 CU	3.35m SNL HSE	5.4 S OF S/C	RECONNECT SERVICE
784 ST JOSEPH ST RESIDENTIAL	20 CU	20 CU	6.240m SNL RUE DAREAU	5.0 N OF S/C	RECONNECT SERVICE
	20 CU	20 CU	2.67m SSL HSE	-	-
	20 CU	20 CU	18.014m SNL RUE DAREAU	7.1 S OF S/C	RECONNECT SERVICE
	20 CU	20 CU	3.40m SNL HSE	-	-
	20 CU	20 CU	8.648m SSL RUE DAREAU	-	-

* SERVICES TO BE RENEWED TO R. ALL OTHERS TO BE RECONNECTED

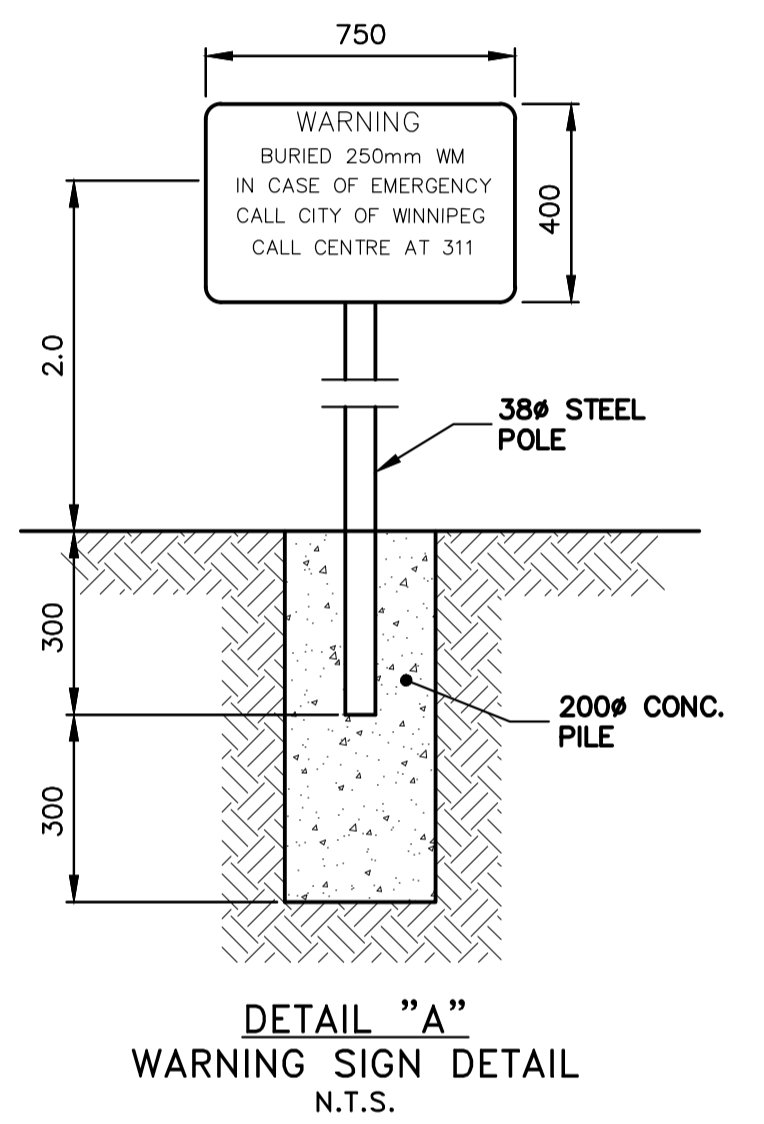
FOR CONTINUATION SEE DWG D-15496



WATER CARRIER PIPE INFORMATION
 DIAMETER - 250mm (282mm O.D.)
 MATERIAL - PVC
 WALL THICKNESS - 17.5mm
 LENGTH - 36.7m
 PIPE CLASS - AWWA C900 DR18
 SURGE PRESSURE - 300 PSI (2.0MPa)
 OPERATING PRESSURE - 60 PSI (0.4 MPa)
 TEST PRESSURE - 150 PSI (1.0 MPa)
 YIELD TEST - 104 MPA
 TYPE OF JOINT - BELL AND SPIGOT

ENCASEMENT PIPE INFORMATION
 DIAMETER (O.D.) - 406.4mm
 DIAMETER (I.D.) - 387.35mm
 MATERIAL - STEEL - ASTM A53
 WALL THICKNESS - 9.53mm MIN.
 YIELD STRENGTH - 241 MPa
 TYPE OF JOINT - WELDED
 LENGTH: 36.7m
 PROTECTION: NONE (SINCE WALL THICKNESS IS > 6.4mm)

NEAREST VALVE LOCATIONS:
 STATION - 0+79.81
 STATION - 1+83.69



INSTALLATION EQUIPMENT FOR THE PROPOSED WORKS SHALL NOT CROSS OR TRAVEL ALONG EITHER SIDE OF THE AQUEDUCT WITHIN A LATERAL DISTANCE OF 5.0 METERS FROM THE CENTERLINE OF THE AQUEDUCT AND/OR FEEDERMAN.

CONCRETE REMOVAL AND REMOVAL WITHIN 3 METERS HORIZONTALLY OF THE AQUEDUCT AND/OR FEEDERMAN SHALL BE COMPLETED BY SAWCUTTING AND REMOVAL, OR BY THE USE OF HAND HELD JACKHAMMERS. USE OF MACHINE MOUNTED CONCRETE BREAKERS ABOVE THE AQUEDUCT AND/OR FEEDERMAN SHALL NOT BE PERMITTED.

DO NOT OPERATE VIBRATORY EQUIPMENT OVER OR WITHIN 3.0 METERS OF THE AQUEDUCT AND/OR FEEDERMAN.

A MINIMUM CLEARANCE OF 1.0 METER MUST BE PROVIDED BETWEEN THE UNDERSIDE OF ANY EXISTING AQUEDUCT OR FEEDERMAN AND THE TOP OF THE PROPOSED WORKS. THIS INSTALLATION BY TRENCHLESS METHOD ONLY.

A MINIMUM CLEARANCE OF 0.5 METER MUST BE PROVIDED BETWEEN THE UNDERSIDE OF THE PROPOSED WORKS AND THE TOP OF ANY EXISTING AQUEDUCT OR FEEDERMAN BY TRENCHLESS OR OPEN TRENCH.

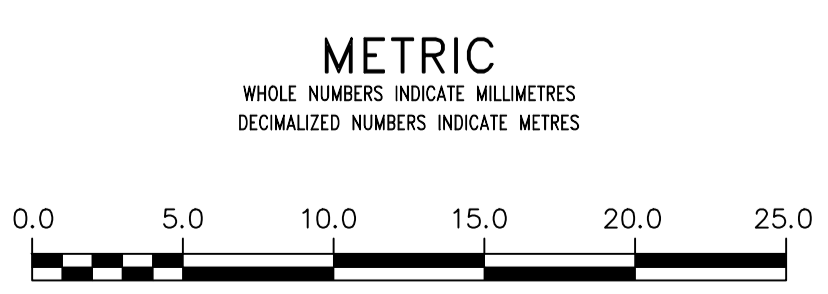
A SHAFT MUST BE EXCAVATED BY SOFT DIG METHODS 4.0 METERS FROM THE CENTERLINE OF THE AQUEDUCT AND/OR FEEDERMAN TO CONFIRM THE ALIGNMENT AND ELEVATION OF THE DRILLING ROD BEFORE IT CROSSES OVER OR UNDER THE AQUEDUCT AND/OR FEEDERMAN. THIS CONFIRMATION MUST BE WITNESSED BY A CITY REPRESENTATIVE.

RAILWAYS NOTES

- SOFT DIG TO CONFIRM DEPTH AND LOCATION OF EXISTING UTILITIES PRIOR TO CONSTRUCTION.
- ENDS OF CASEMENTS WILL NOT BE SEALED.
- CONSTRUCTION AND MAINTENANCE TO BE IN ACCORDANCE WITH THE CANADIAN TRANSPORTATION AGENCY DOCUMENT TC-E-10, AND THE LATEST EDITION OF APPLICABLE CSA STANDARD 2662.
- INSTALLATION METHOD: PIPE ADVANCING WITH CORING, CORING HEAD TO BE MIN 0.5m FROM CASING END IN CASING.
- A GEOTECHNICAL ENGINEER HAS REVIEWED THE PROPOSED INSTALLATION WORK, AND VERIFIED THAT THERE ARE NO STABILITY ISSUES WITH THE PROPOSED INSTALLATION. THE GEOTECHNICAL ENGINEER WILL BE ON SITE DURING INSTALLATION.
- EXISTING 150 CI WM IN THE CN RIGHT OF WAY TO BE ABANDONED MUST BE CUT CAPPED AND FILLED WITH GROUT.

FOR INDEX SEE D-15494

NOTE: ALL VALVES TO BE INSTALLED CLOCKWISE TO CLOSE



WARNING
 IF POWER EQUIPMENT OR EXPLOSIVES ARE TO BE USED FOR EXCAVATION ON THIS PROJECT THE CONTRACTOR MUST:
 1) NOTIFY THE GAS COMPANY OF THE PROPOSED LOCATION OF EXCAVATION.
 2) TAKE PRECAUTION TO AVOID DAMAGE TO GAS COMPANY INSTALLATIONS.
 SEE PROVINCIAL REGULATION 210/72 FOR DETAILS

LOCATION APPROVED UNDERGROUND STRUCTURES
 SUPV. U/G STRUCTURES COMMITTEE DATE
 NOTE: LOCATION OF UNDERGROUND STRUCTURES AS SHOWN ARE BASED ON THE BEST INFORMATION AVAILABLE BUT NO GUARANTEE IS GIVEN THAT ALL EXISTING UTILITIES ARE SHOWN OR THAT THE GIVEN LOCATIONS ARE EXACT. CONFIRMATION OF EXISTENCE AND EXACT LOCATION OF ALL SERVICES MUST BE OBTAINED FROM THE INDIVIDUAL UTILITIES BEFORE PROCEEDING WITH CONSTRUCTION.

B.M. ELEV.	NO.	ADDENDUM	DATE	BY
	1	ADDENDUM	2019/04/30	RS
		REVISIONS		

DESIGNED BY	JF	CHECKED BY	SC
DRAWN BY	RS	APPROVED BY	KZ
SCALE:	HORIZONTAL 1:250 VERTICAL 1:50		
DATE	2019 04 30	RELEASED FOR CONSTRUCTION	K.ZUREK

ENGINEER'S SEAL
 ORIGINAL SIGNED BY
 S.R.J. COURNOYER
 19/04/12
 CONSULTANT DRAWING NUMBER

THE CITY OF WINNIPEG
 WATER AND WASTE DEPARTMENT
 ENGINEERING DIVISION

2018 WATER MAIN RENEWALS
 CONTRACT 2
 RUE ST JOSEPH
 37 N OF RUE HEBERT TO
 11 S OF RUE GRANDIN

SHEET 10 OF 12
 CITY DRAWING NUMBER
 D-15502