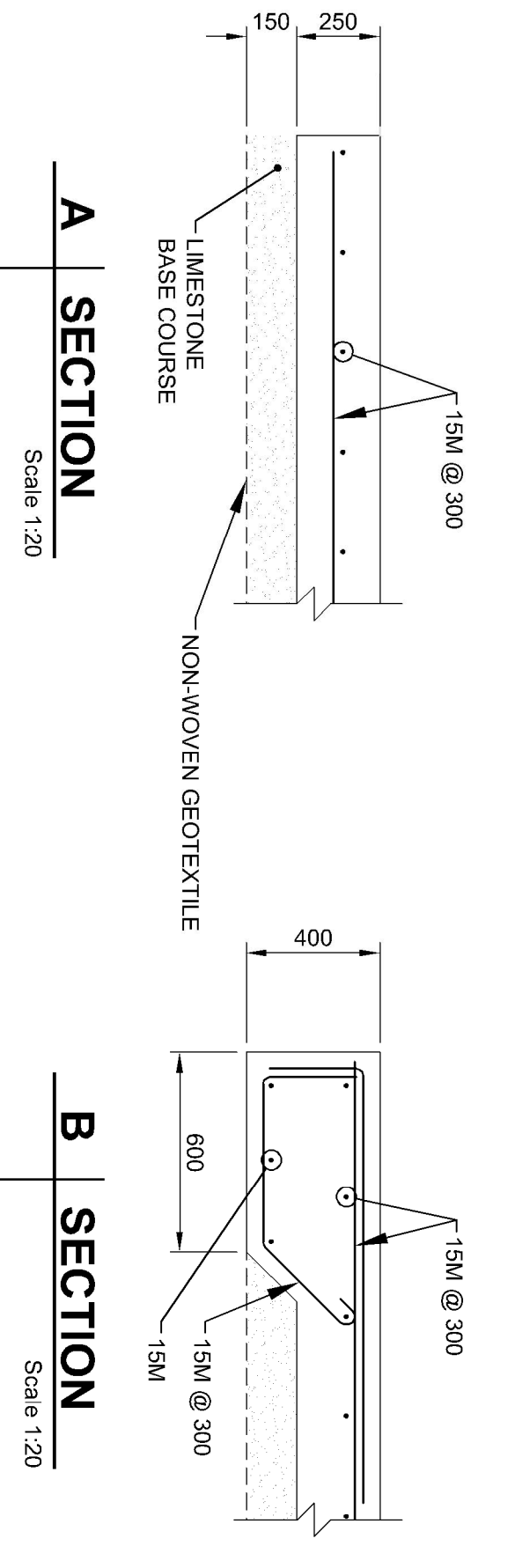


NOTE:
 - SLAB CONTROL PARALLEL TO Q OF TANKS
 - JOINTS TO MATCH EXISTING
 - SLAB CONTROL JOINTS PERPENDICULAR TO Q
 - OF TANKS TO MATCH PUMP ISLAND CORNERS.

PLAN
 Scale 1:75

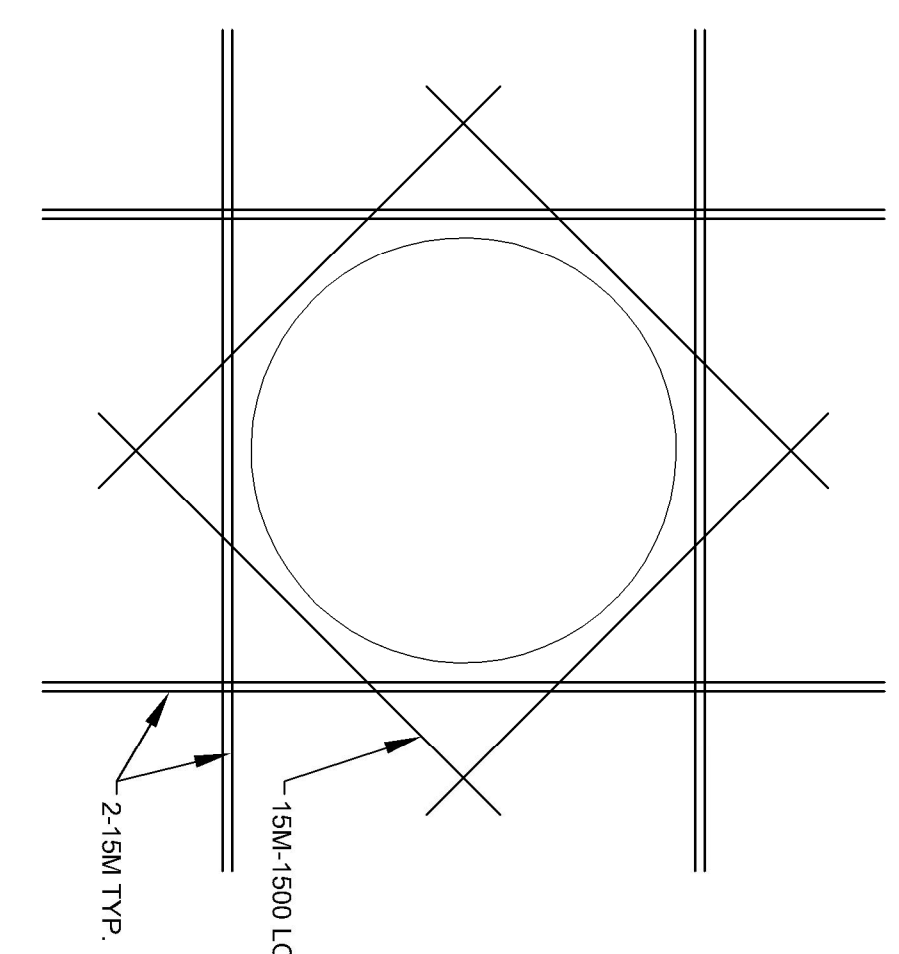
- LEGEND
- PROBE ACCESS MANHOLE FRAME AND COVER (20UR1ATG)
 - COMPOSITE MANHOLE FRAME AND COVER (44CD-VT10)
 - SPILL CONTAINMENT MANHOLE FRAME AND COVER (TC-2100 DEVR)
 - SUMP



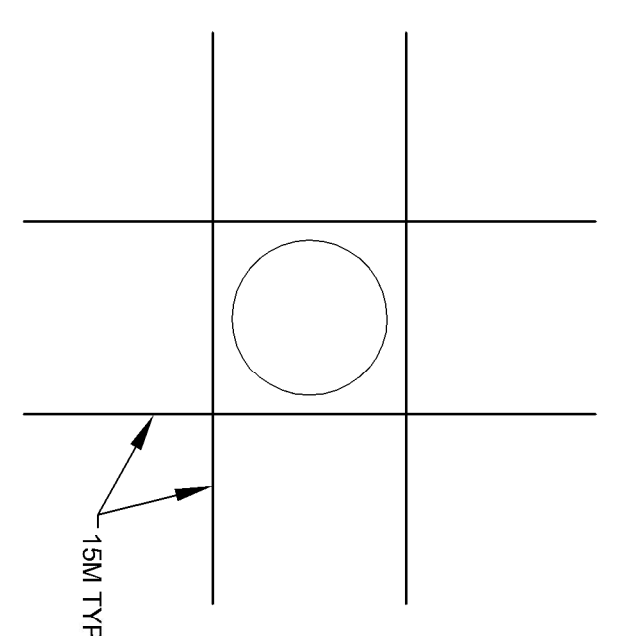
A SECTION
 Scale 1:20

B SECTION
 Scale 1:20

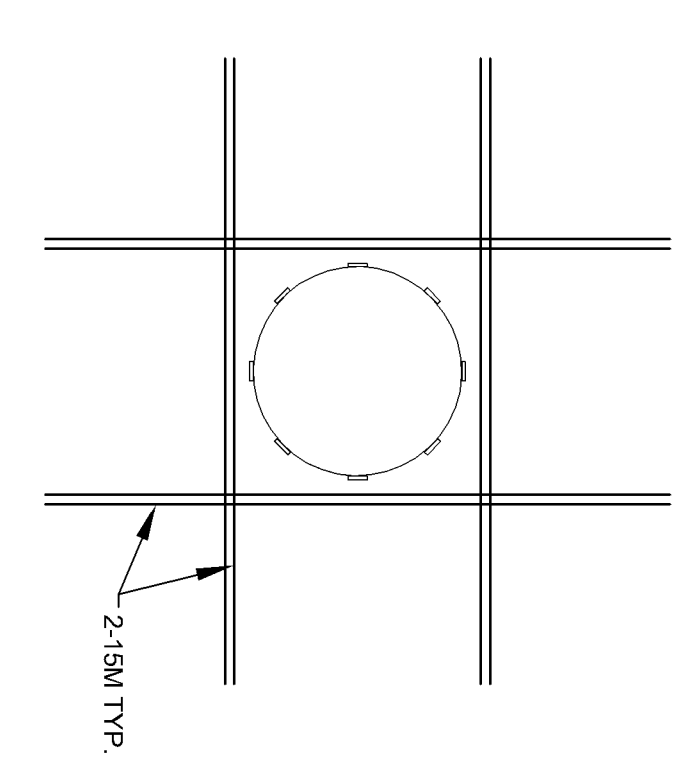
ENGINEERS
REGISTERED PROFESSIONAL
 Certificate of Authorization
 AECOM Canada Ltd.
 No. 4671 Date: *April 18, 2019*



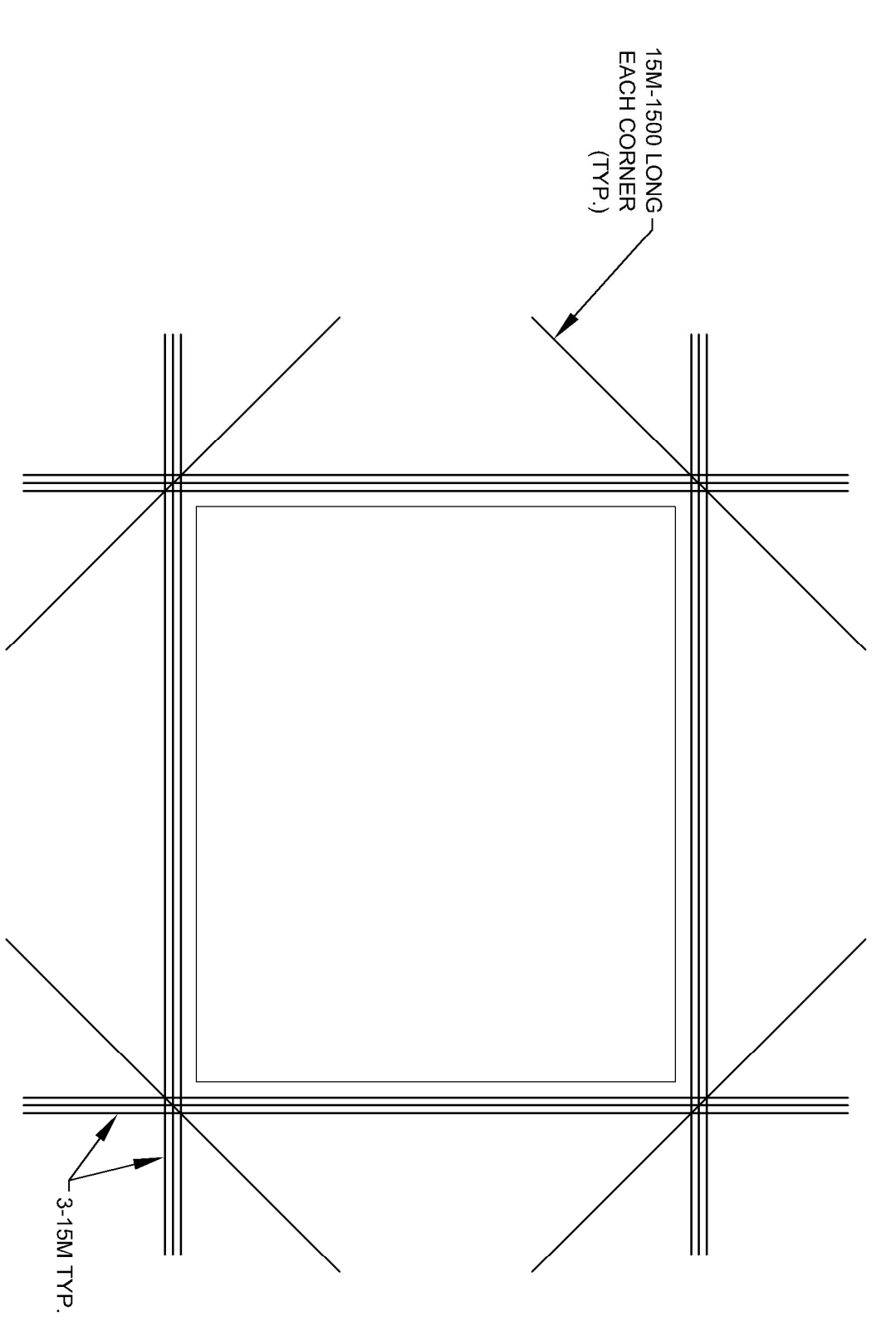
TYPICAL COMPOSITE MANHOLE
 Scale 1:20



TYPICAL SPILL CONTAINMENT MANHOLE
 Scale 1:20



TYPICAL PROBE ACCESS
 Scale 1:20



SLAB OPENING FOR PUMP ISLAND
 Scale 1:20

DESIGNED BY: FT	CHECKED BY:	DATE: 2019/04/05	DATE:
DRAWN BY: KC	APPROVED BY:	DATE:	DATE:
HOR. SCALE: AS NOTED	RELEASED FOR CONSTRUCTION BY:	DATE:	DATE:
VERTICAL:			
NO. ISSUED FOR TENDER	DATE	BY	
A	18/04/19	KC	
NO. REVISIONS			
		CITY DRAWING NUMBER SHEET 01 OF 01	
552 PLINGUET STREET REFUELLING STATION PAVEMENT AND EQUIPMENT REHABILITATION CONCRETE SLAB FOR FUELING FACILITY WINNIPEG FLEET AGENCY 552 PLINGUET ST.			

METRIC
 WHOLE NUMBERS INDICATE MILLIMETRES
 DECIMALIZED NUMBERS INDICATE METRES