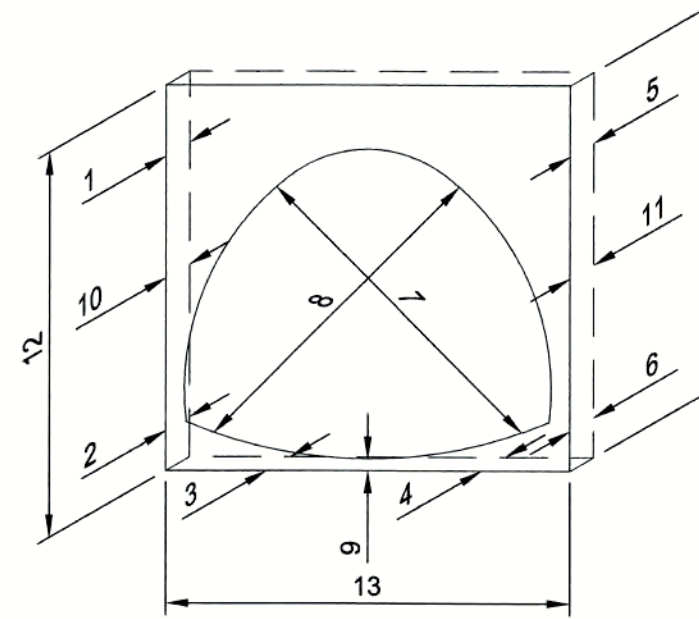
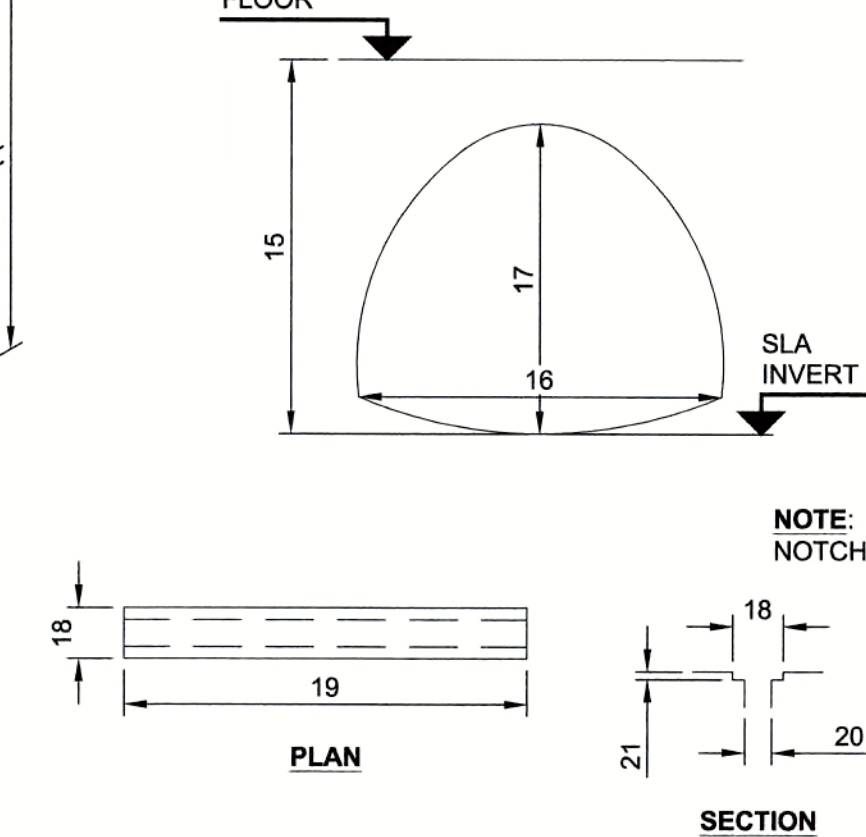


LOOKING DOWNSTREAM (WEST)



BOATHOUSE FLOOR



BOATHOUSE FLOOR OPENING

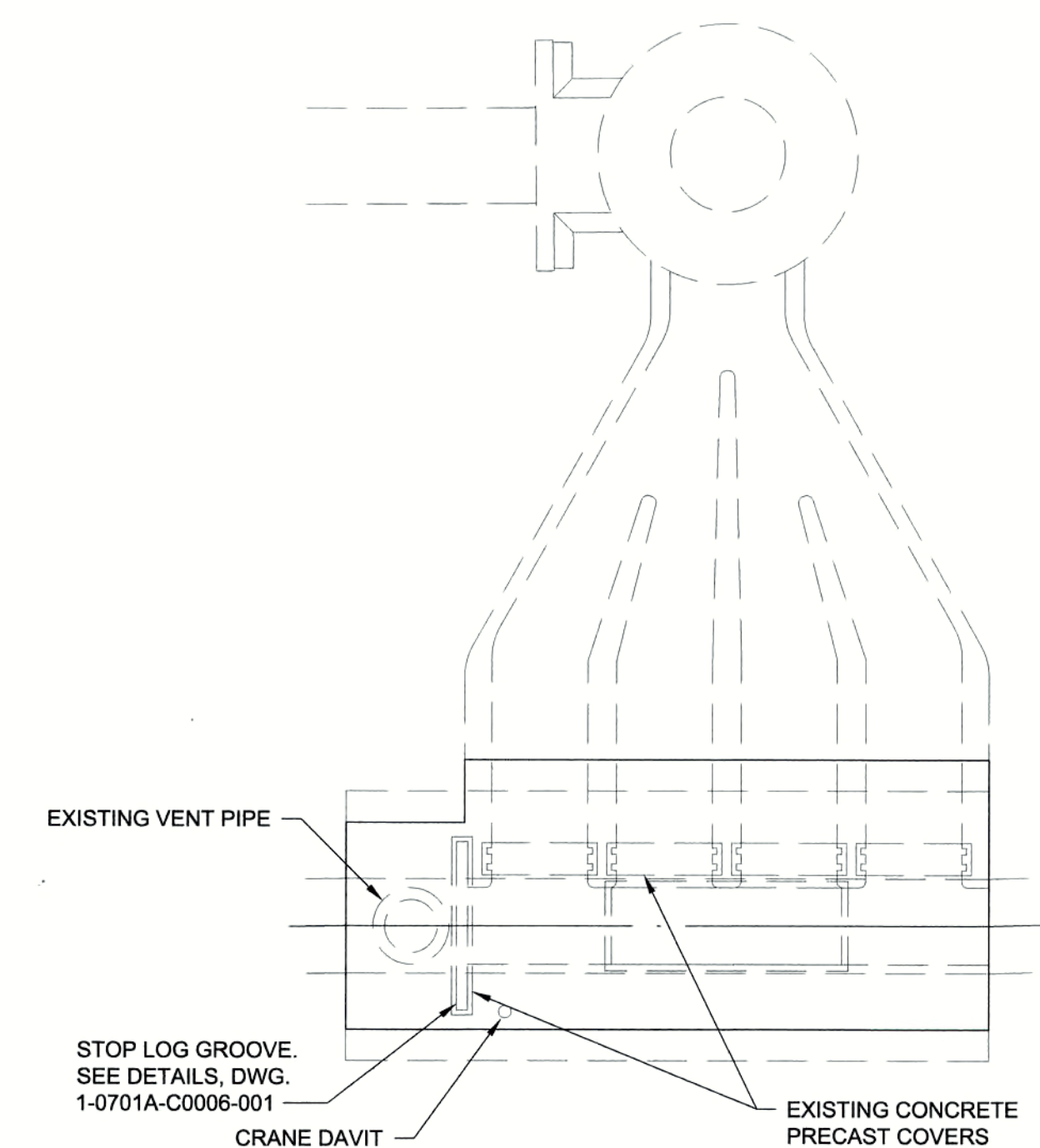
**STOP LOG MEASUREMENTS**

1 : SLOT WIDTH TOP LEFT	181
2 : SLOT WIDTH BOT. LEFT	184
3 : SLOT WIDTH LEFT BOT.	184
4 : SLOT WIDTH RIGHT BOT.	184
5 : SLOT WIDTH TOP RIGHT	184
6 : SLOT WIDTH BOT. RIGHT	184
7 : DIAGONAL LEFT - RIGHT	3581
8 : DIAGONAL RIGHT - LEFT	3569
9 : SLOT DEPTH MIDDLE	51
10 : SLOT DEPTH LEFT	210
11 : SLOT DEPTH RIGHT	210
12 : HEIGHT LEFT	2400
13 : WIDTH BOT.	2673
14 : HEIGHT RIGHT	2419
15 : FLOOR TO INVERT	2356
16 : AQUEDUCT WIDTH	2248
17 : AQUEDUCT HEIGHT	1924
18 : FLOOR COVER WIDTH	N/A
19 : FLOOR COVER LENGTH	N/A
20 : SLOT WIDTH TOP FLOOR	N/A
21 : RECESS DEPTH	N/A

NOTE: DIMENSIONS IN MILLIMETRES

**EXISTING STOP LOG SLOT MEASUREMENTS**

N.T.S.



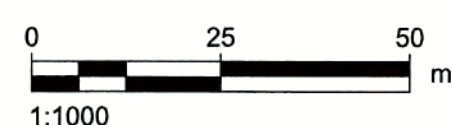
1 | DETAIL



**NOTES:**

- BOATHOUSE SUPERSTRUCTURE PREVIOUSLY REMOVED.
- CITY TO REMOVE PRECAST COVER SLABS TO ACCESS AQUEDUCT.
- CONTRACTOR TO PROVIDE TEMPORARY COVERS OVER OPENINGS, MINIMUM 20mm PLYWOOD, FASTENED WITH MINIMUM 4-12mm EXPANSION ANCHORS.
- COVER OPENINGS AT END OF SHIFT AND WHEN NOT ON SITE.
- CITY TO REPLACE SLABS AT END OF PROJECT.

**SITE PLAN**



METRIC  
WHOLE NUMBERS INDICATE MILLIMETRES  
DECIMALIZED NUMBERS INDICATE METRES

<p><b>WARNING</b></p> <p>IF POWER EQUIPMENT OR EXPLOSIVES ARE TO BE USED FOR EXCAVATION ON THIS PROJECT THE CONTRACTOR MUST:</p> <ol style="list-style-type: none"> <li>NOTIFY THE GAS COMPANY OF THE PROPOSED LOCATION OF EXCAVATION.</li> <li>TAKE PRECAUTION TO AVOID DAMAGE TO GAS COMPANY INSTALLATIONS.</li> </ol> <p>SEE PROVINCIAL REGULATION 210/72 FOR DETAILS</p>	<p>LOCATION APPROVED UNDERGROUND STRUCTURES</p> <p>SUPV. U/O STRUCTURES COMMITTEE DATE</p> <p>NOTE: LOCATION OF UNDERGROUND STRUCTURES AS SHOWN ARE BASED ON THE BEST INFORMATION AVAILABLE BUT NO GUARANTEE IS GIVEN THAT ALL EXISTING UTILITIES ARE SHOWN OR THAT THE GIVEN LOCATIONS ARE EXACT. CONFIRMATION OF EXISTENCE AND EXACT LOCATION OF ALL SERVICES MUST BE OBTAINED FROM THE INDIVIDUAL UTILITIES BEFORE PROCEEDING WITH CONSTRUCTION.</p>	<p>B.M. ELEV.</p> <p>CONSTRUCTION COMPLETION DATE: YYYY MM DD</p>		<p><b>AECOM</b></p>	<p>ENGINEER'S SEAL</p> <p>PROVINCE OF MANITOBA J.A. THOMPSON Member 30632 REGISTERED PROFESSIONAL ENGINEER</p>	<p><b>THE CITY OF WINNIPEG</b> WATER AND WASTE DEPARTMENT ENGINEERING DIVISION</p>	<p>SHOAL LAKE AQUEDUCT ASSET PRESERVATION SUPPLY &amp; INSTALLATION OF STOP LOGS MILE 64.14 SITE PLAN &amp; EXISTING CONDITIONS</p>	<p>SHEET 3 OF 5 CITY DRAWING NUMBER 1-0712A-C0001-001</p>
		<p>DESIGNED BY: JAT</p> <p>DRAWN BY: ADL</p> <p>SCALE: HORIZONTAL AS NOTED VERTICAL N/A</p> <p>DATE: 2019 04 11</p>	<p>CHECKED BY: [Signature]</p> <p>APPROVED BY: [Signature]</p> <p>RELEASED FOR CONSTRUCTION</p> <p>DATE: 2019 04 12</p>					