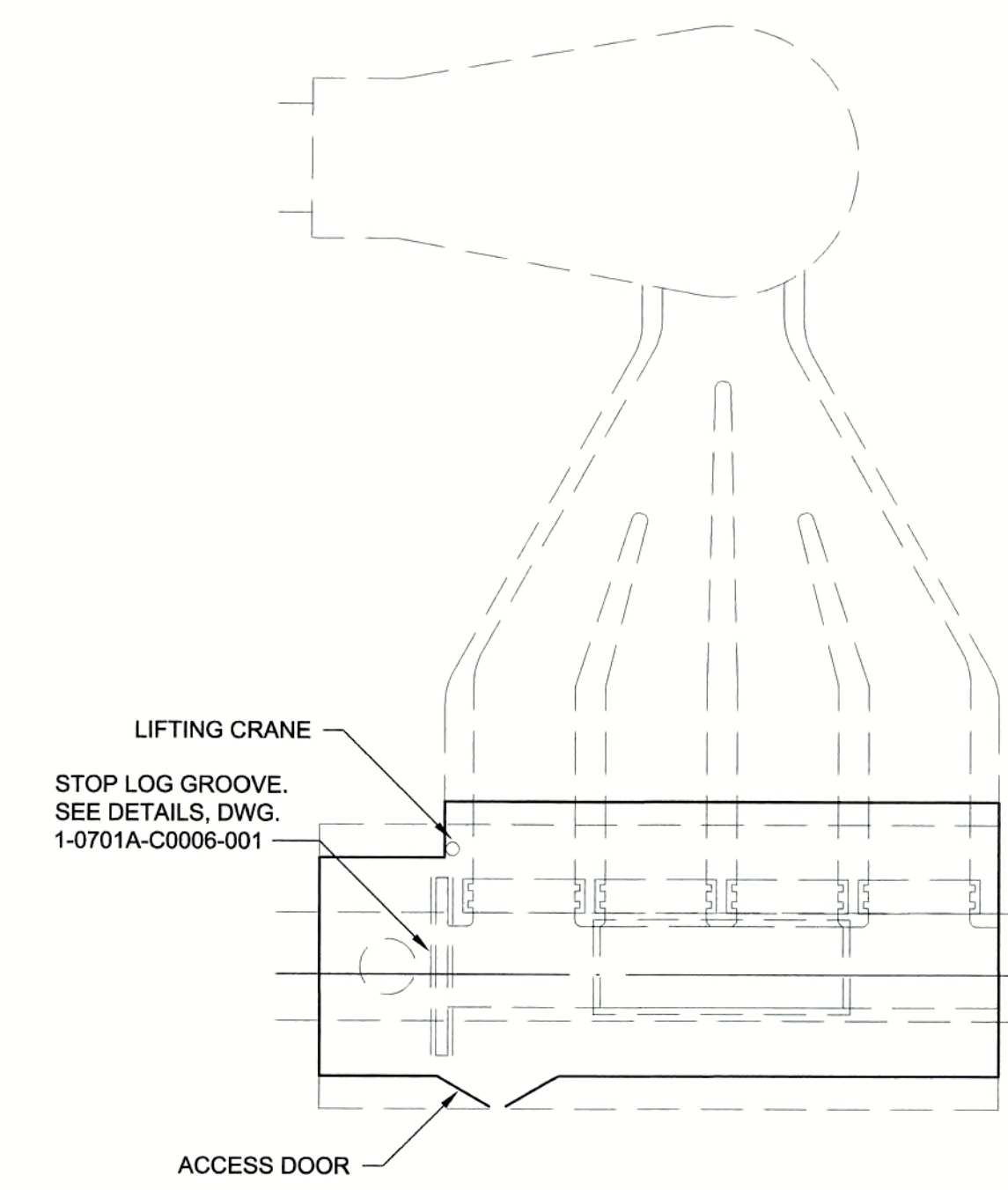
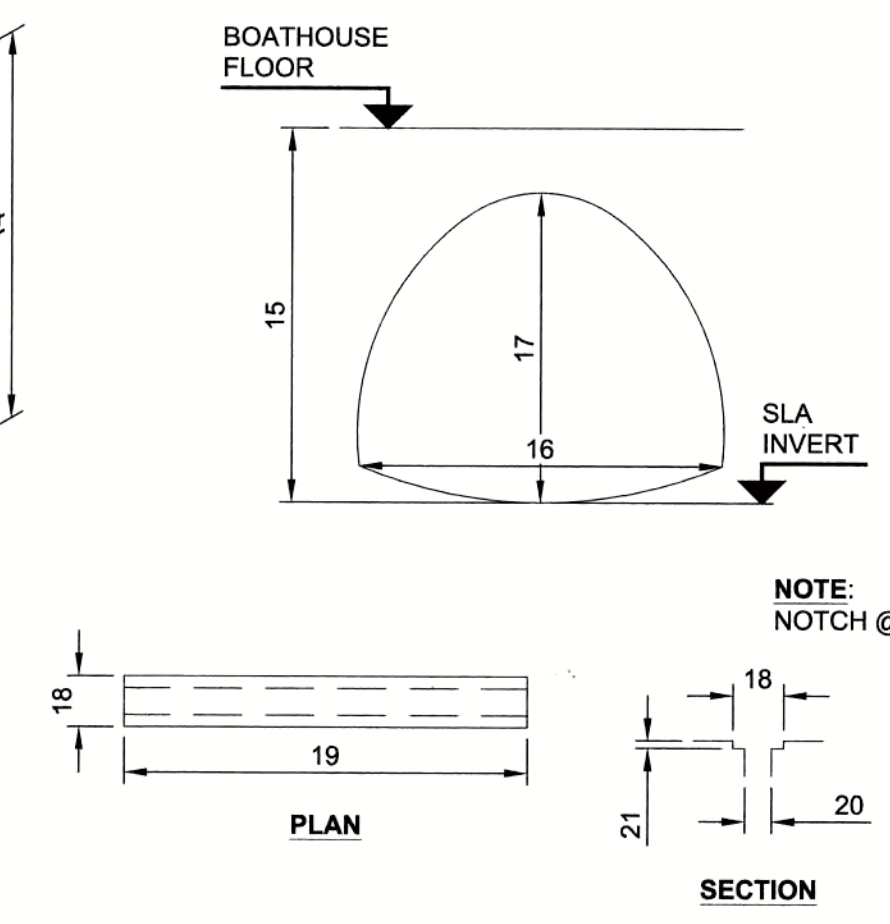
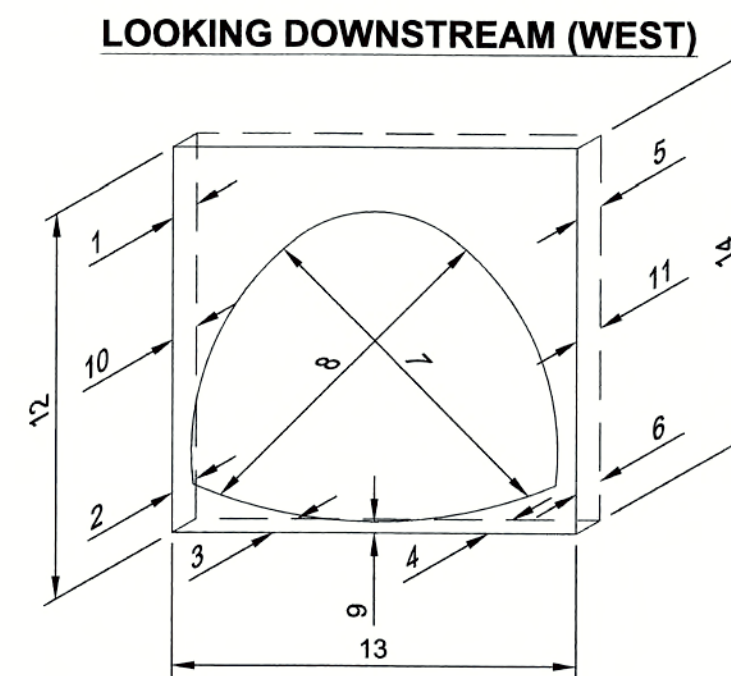


**NOTES:**  
 1. FIX MINIMUM 20mm PLYWOOD SHEETS BETWEEN INNER SAFETY RAILS ON BRIDGE FOR PERSONNEL ACCESS. REMOVE ON COMPLETION OF PROJECT.



**1 | DETAIL**  
 FLOOR PLAN  
 0 2500 5000 mm  
 1:100



**STOP LOG MEASUREMENTS**

1 : SLOT WIDTH TOP LEFT	181
2 : SLOT WIDTH BOT. LEFT	184
3 : SLOT WIDTH LEFT BOT.	216
4 : SLOT WIDTH RIGHT BOT.	210
5 : SLOT WIDTH TOP RIGHT	184
6 : SLOT WIDTH BOT. RIGHT	184
7 : DIAGONAL LEFT - RIGHT	3607
8 : DIAGONAL RIGHT - LEFT	3620
9 : SLOT DEPTH MIDDLE	76
10 : SLOT DEPTH LEFT	127
11 : SLOT DEPTH RIGHT	121
12 : HEIGHT LEFT	2543
13 : WIDTH BOT.	2673
14 : HEIGHT RIGHT	2543
15 : FLOOR TO INVERT	2515
16 : AQUEDUCT WIDTH	2381
17 : AQUEDUCT HEIGHT	2032
18 : FLOOR COVER WIDTH	337
19 : FLOOR COVER LENGTH	2667
20 : SLOT WIDTH TOP FLOOR	178
21 : RECESS DEPTH	51

NOTE: DIMENSIONS IN MILLIMETRES

**EXISTING STOP LOG SLOT MEASUREMENTS**

N.T.S.

**SITE PLAN**  
 0 25 50 m  
 1:1000

**ENGINEERS GEOSCIENTISTS MANITOBA**  
 Certificate of Authorization  
 AECOM Canada Ltd.  
 No. 4671 Date: April 12, 2019

**METRIC**  
 WHOLE NUMBERS INDICATE MILLIMETRES  
 DECIMALIZED NUMBERS INDICATE METRES

**WARNING**  
 IF POWER EQUIPMENT OR EXPLOSIVES ARE TO BE USED FOR EXCAVATION ON THIS PROJECT THE CONTRACTOR MUST:  
 1) NOTIFY THE GAS COMPANY OF THE PROPOSED LOCATION OF EXCAVATION.  
 2) TAKE PRECAUTION TO AVOID DAMAGE TO GAS COMPANY INSTALLATIONS.  
 SEE PROVINCIAL REGULATION 210/72 FOR DETAILS

**LOCATION APPROVED UNDERGROUND STRUCTURES**  
 SUPV. U/G STRUCTURES COMMITTEE DATE  
 NOTE:  
 LOCATION OF UNDERGROUND STRUCTURES AS SHOWN ARE BASED ON THE BEST INFORMATION AVAILABLE BUT NO GUARANTEE IS GIVEN THAT ALL EXISTING UTILITIES ARE SHOWN OR THAT THE GIVEN LOCATIONS ARE EXACT. CONFIRMATION OF EXISTENCE AND EXACT LOCATION OF ALL SERVICES MUST BE OBTAINED FROM THE INDIVIDUAL UTILITIES BEFORE PROCEEDING WITH CONSTRUCTION.

B.M. ELEV.			
CONSTRUCTION COMPLETION DATE: YYYY MM DD			
NO.	ISSUED FOR CONSTRUCTION	2019/04/11	ADL
NO.	REVISIONS	DATE	BY

**AECOM**

DESIGNED BY	JAT	CHECKED BY	[Signature]
DRAWN BY	ADL	APPROVED BY	[Signature]
SCALE:	HORIZONTAL AS NOTED	RELEASED FOR CONSTRUCTION	[Signature]
VERTICAL	N/A	DATE	2019 04 11
DATE	2019 04 11	DATE	2019 04 12

PLOT DATE: 2019 04 11

ENGINEER'S SEAL  
 PROVINCE OF MANITOBA  
**J.A. THOMPSON**  
 Member  
 30632  
 REGISTERED PROFESSIONAL ENGINEER  
 CONSULTANT DRAWING NUMBER  
 60532607-SHT-30-Task2-C-1004.dwg

**THE CITY OF WINNIPEG**  
 WATER AND WASTE DEPARTMENT  
 ENGINEERING DIVISION  
 SHOAL LAKE AQUEDUCT ASSET PRESERVATION  
 SUPPLY & INSTALLATION OF STOP LOGS  
 MILE 73.69  
 SITE PLAN & EXISTING CONDITIONS

SHEET 4 OF 5  
 CITY DRAWING NUMBER  
 1-0714A-C0001-001