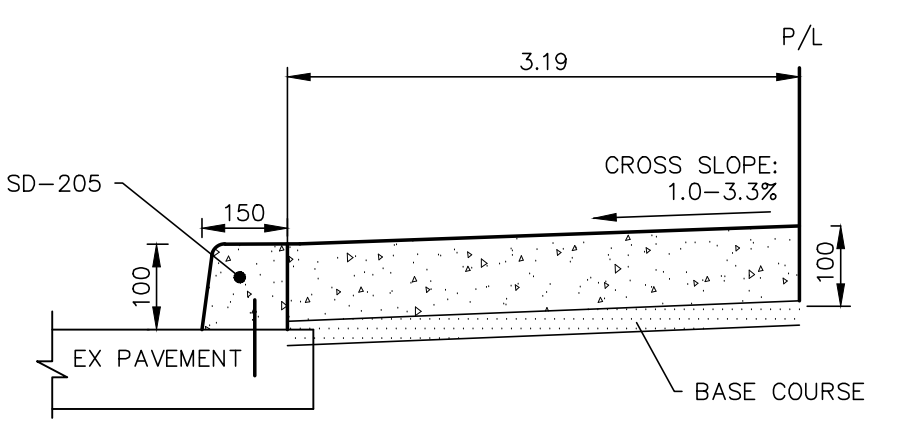
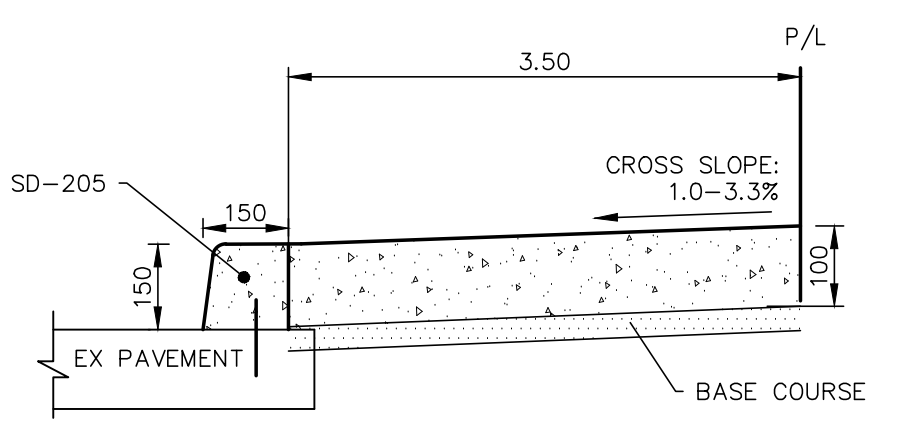


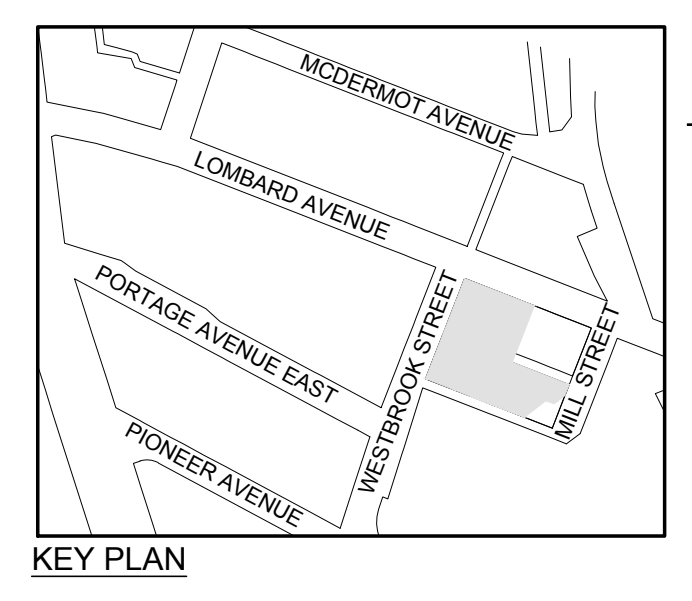
- NOTES:**
1. ALL WORK AND MATERIALS TO BE IN ACCORDANCE WITH THE LATEST REVISION OF THE CITY OF WINNIPEG STANDARD CONSTRUCTION SPECIFICATIONS.
 2. THE INFORMATION SHOWN FOR EXISTING UTILITIES IS THE BEST INFORMATION AVAILABLE BUT NO GUARANTEE IS GIVEN THAT ALL EXISTING UTILITIES ARE SHOWN OR THAT GIVEN UTILITIES ARE EXACT. THE CONTRACTOR IS RESPONSIBLE FOR LOCATING AND PROTECTING ALL UTILITIES DURING CONSTRUCTION. ALL EXISTING UTILITIES MUST BE LOCATED AND VERIFIED PRIOR TO COMMENCEMENT OF WORK. LOST TIME DUE TO FAILURE OF THE CONTRACTOR TO CONFIRM UTILITY LOCATIONS AND NOTIFY THE ENGINEER OF POSSIBLE CONFLICTS PRIOR TO CONSTRUCTION WILL BE AT THE CONTRACTOR'S EXPENSE.
 3. ALL ROADWAY DIMENSIONS SHOWN ARE TO BACK OF CURB.
 4. ADD 200.00 TO ABBREVIATED ELEVATIONS TO OBTAIN GEODETIC ELEVATION.
 5. ALL SURFACES TO BE MAINTAINED OR RESTORED TO PREVIOUS CONDITION OR BETTER.
 6. RENEW CURB AND SIDEWALK AS DIRECTED BY THE CONTRACT ADMINISTRATOR.
 7. CURB 100mm REVEAL ON WESTBROOK STREET AND 150mm REVEAL ON LOMBARD AVENUE UNLESS OTHERWISE SHOWN.
 8. MODIFIED BARRIER CURB TO BE CONSTRUCTED AT ALL INTERSECTION AND APPROACH RADII.
 9. FOR TREES AND STREETSCAPING DETAILS SEE LANDSCAPING DRAWINGS.
 10. ADJUST ALL WATER VALVES, HYDRANTS, MANHOLES, AND CATCH BASINS AFFECTED BY PROPOSED WORK TO GRADE.



CROSS SECTION A-A
SEE STREETSCAPING DRAWINGS FOR DETAILS
NTS



CROSS SECTION B-B
SEE STREETSCAPING DRAWINGS FOR DETAILS
NTS



NOTE:
These design documents are prepared solely for the use by the party with whom the design professional has entered into a contract and there are no representations of any kind made by the design professional to any party with whom the design professional has not entered into a contract.

| EXISTING | LEGEND-PLAN | PROPOSED | EXISTING | LEGEND-PROFILE | PROPOSED |
|----------|---------------------|----------|----------|----------------|----------------------------------|
| — | WATER MAIN | — | — | — | HYDRO POLE & LIGHT STANDARD |
| — | LAND DRAINAGE SEWER | — | — | — | LIGHT STANDARD OR TRAFFIC SIGNAL |
| — | WASTE WATER SEWER | — | — | — | HYDRO POLE |
| — | HYDRO | — | — | — | CURB RAMP |
| — | M.T.S. | — | — | — | DETECTABLE WARNING SURFACE TILE |
| — | GAS | — | — | — | EDGE OF SIDEWALK |
| — | SIGNALS | — | — | — | EDGE OF ASPHALT |
| ○ | MANHOLE | ● | — | — | EDGE OF CONCRETE |
| □ | CATCH BASIN | ■ | — | — | MODIFIED BARRIER CURB |
| △ | CURB INLET | ▽ | — | — | BARRIER CURB |
| ∩ | UTILITIES ADJUSTED | △ □ ○ | — | — | CURB AND GUTTER REPAIR |
| ∩ | PLUG | ∩ | — | — | MODIFIED BARRIER CURB AND GUTTER |
| ◇ | HYDRANT | ◆ | — | — | CONC. SIDEWALK WITH BLOCKOUTS |
| ⊗ | VALVE | ⊗ | — | — | CONCRETE REPAIR |
| ♣ | CURB STOP | ♣ | — | — | ASPHALT OVERLAY |
| 230.99 | GROUND GRADE | — | — | — | PAVING STONE |
| (31.00) | PAVEMENT GRADE | (31.00) | — | — | ASPHALT MILLING |
| — | ANCHOR | — | — | — | |
| #111 | CIVIC ADDRESS | — | — | — | |
| — | IRON BAR | — | — | — | |

LOCATIONS APPROVED UNDERGROUND STRUCTURES

SIGNED BY: _____ DATE: _____

SPUV U/G STRUCTURES

LOCATION OF UNDERGROUND STRUCTURES AS SHOWN ARE BASED ON THE BEST INFORMATION AVAILABLE BUT NO GUARANTEE IS GIVEN THAT ALL EXISTING UTILITIES ARE SHOWN OR THAT THE GIVEN LOCATIONS ARE EXACT CONFIRMATION OF EXISTENCE AND EXACT LOCATION OF ALL SERVICES MUST BE OBTAINED FROM THE INDIVIDUAL UTILITIES BEFORE PROCEEDING

| NO. | REVISIONS | DATE | BY |
|-----|-----------------------------------|------------|----|
| H | | | |
| G | | | |
| F | | | |
| E | | | |
| D | | | |
| C | ISSUED FOR TENDER | 15-05-2019 | MV |
| B | ISSUED FOR UNDERGROUND STRUCTURES | 16-04-2019 | MV |
| A | ISSUED FOR CLIENT REVIEW | 18-01-2019 | MV |

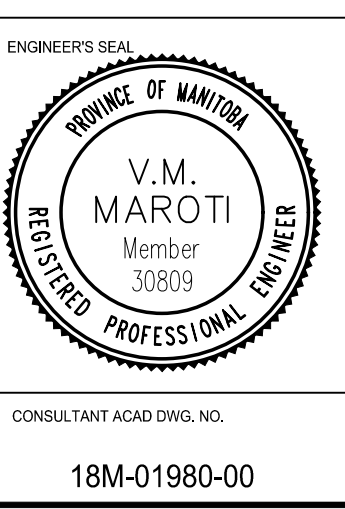
wsp

WSP Canada Group Limited
Suite 111 - 93 Lombard Ave
Winnipeg, MB R3B 3B1
t. 204.943.3178
f. 204.943.4948
www.wsp.com

DESIGNED BY: MV
CHECKED BY: VM
DRAWN BY: TW
APPROVED BY: VM

HOR. SCALE: 1:250
RELEASED FOR CONSTRUCTION

DATE: 18-JAN-2019



THE CITY OF WINNIPEG
PUBLIC WORKS DEPARTMENT
ENGINEERING DIVISION

EXCHANGE DISTRICT
CURB & SIDEWALK RENEWALS

CIVIL PLAN
C-01

CITY DRAWING NUMBER
SHEET 1 OF 4
BID NO. 455-2019

METRIC

WHOLE NUMBERS INDICATE MILLIMETRES
DECIMALIZED NUMBERS INDICATE METRES

ENGINEERS
GEOLOGICIST
MANITOBA
Certificate of Authorization
WSP Canada Group Limited
No. 6657

May 23, 2019 - 12:36pm
 C:\Users\lbar\OneDrive\00 - Lombard Avenue Sidewalk Renewal\WSP Drawings\LOMBARD AVENUE CIVIL.dwg sub-C101