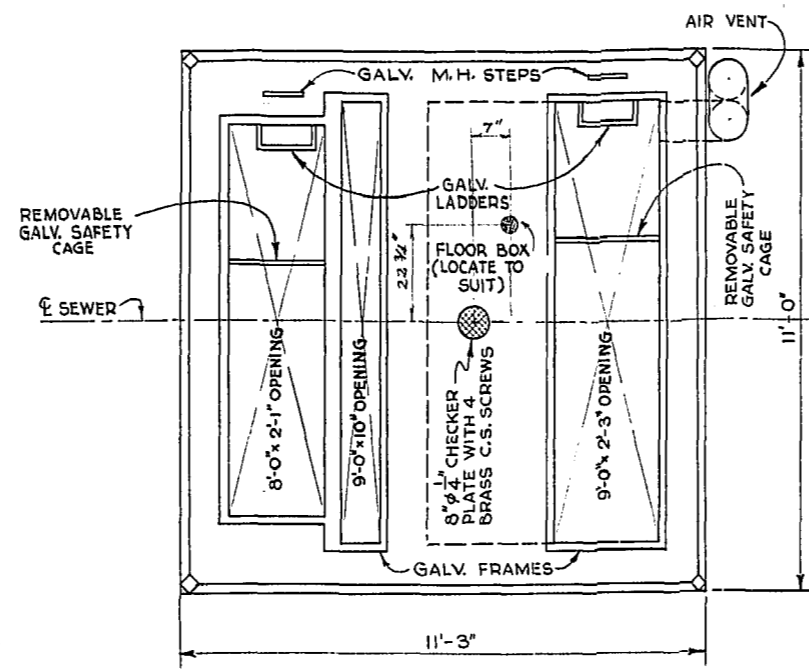
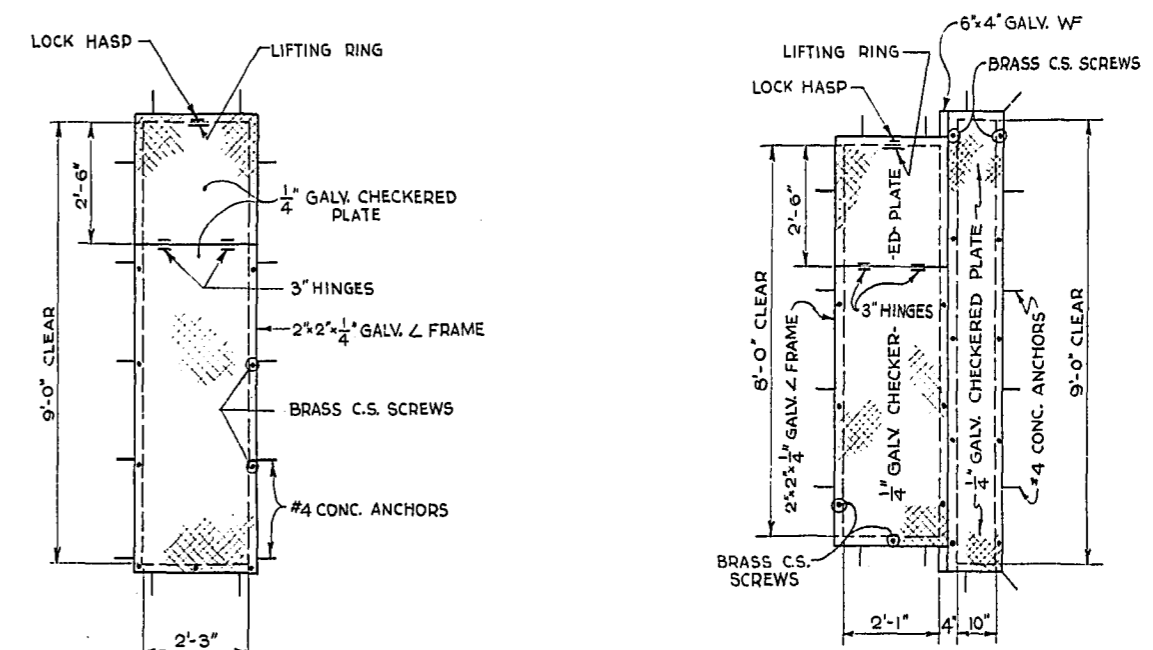


SECTION "C-C"

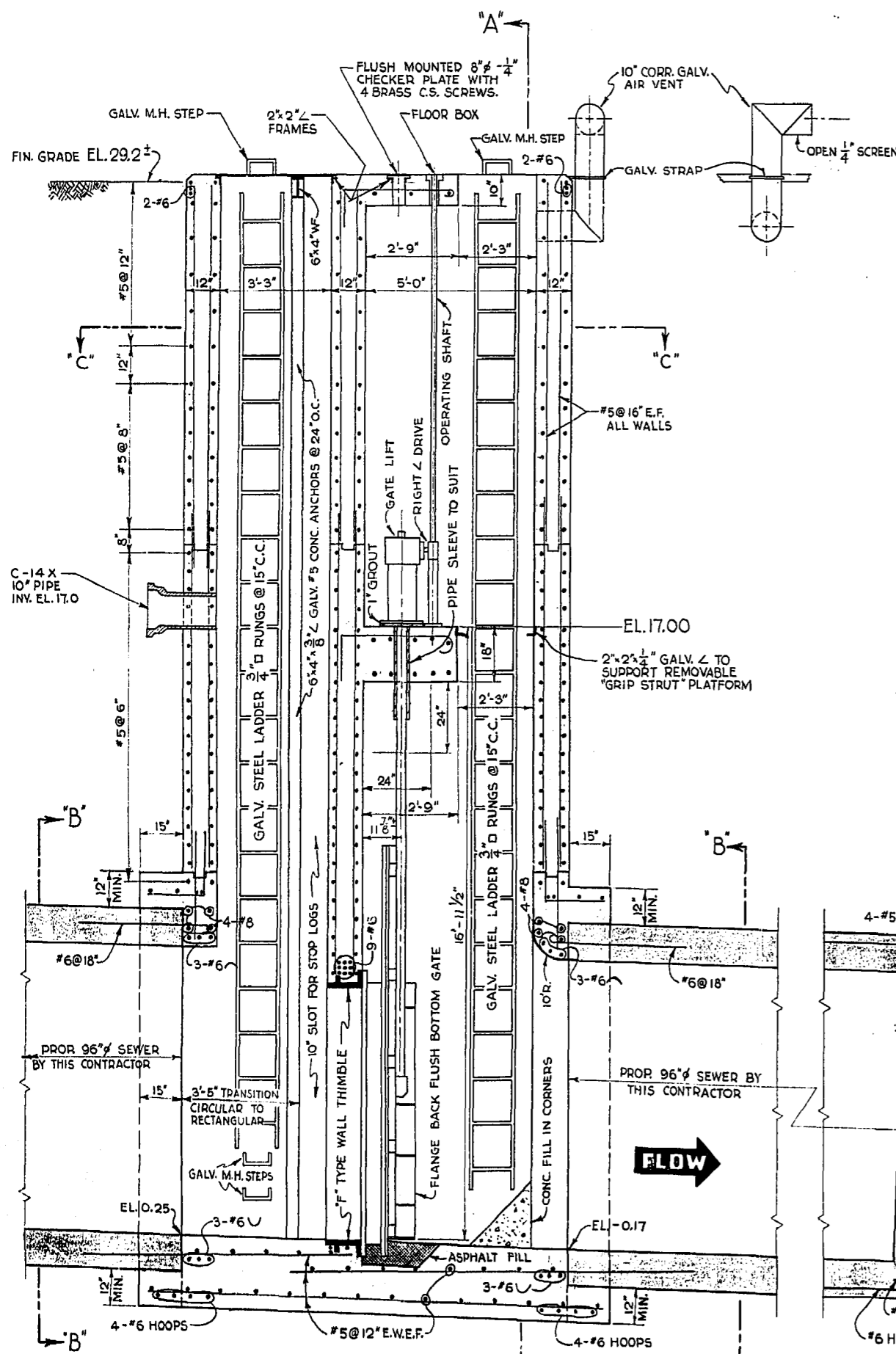


TOP PLAN

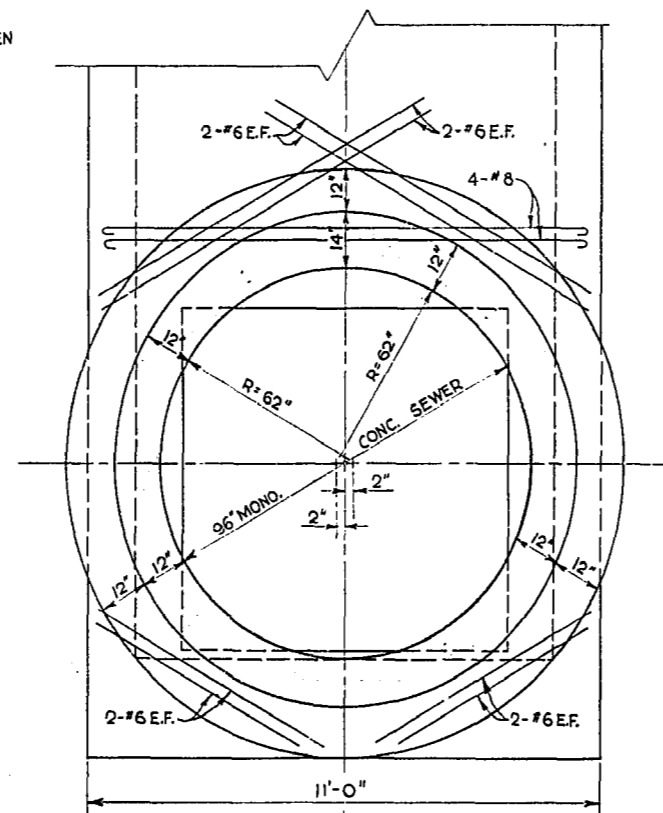


HATCH COVERS & FRAMES

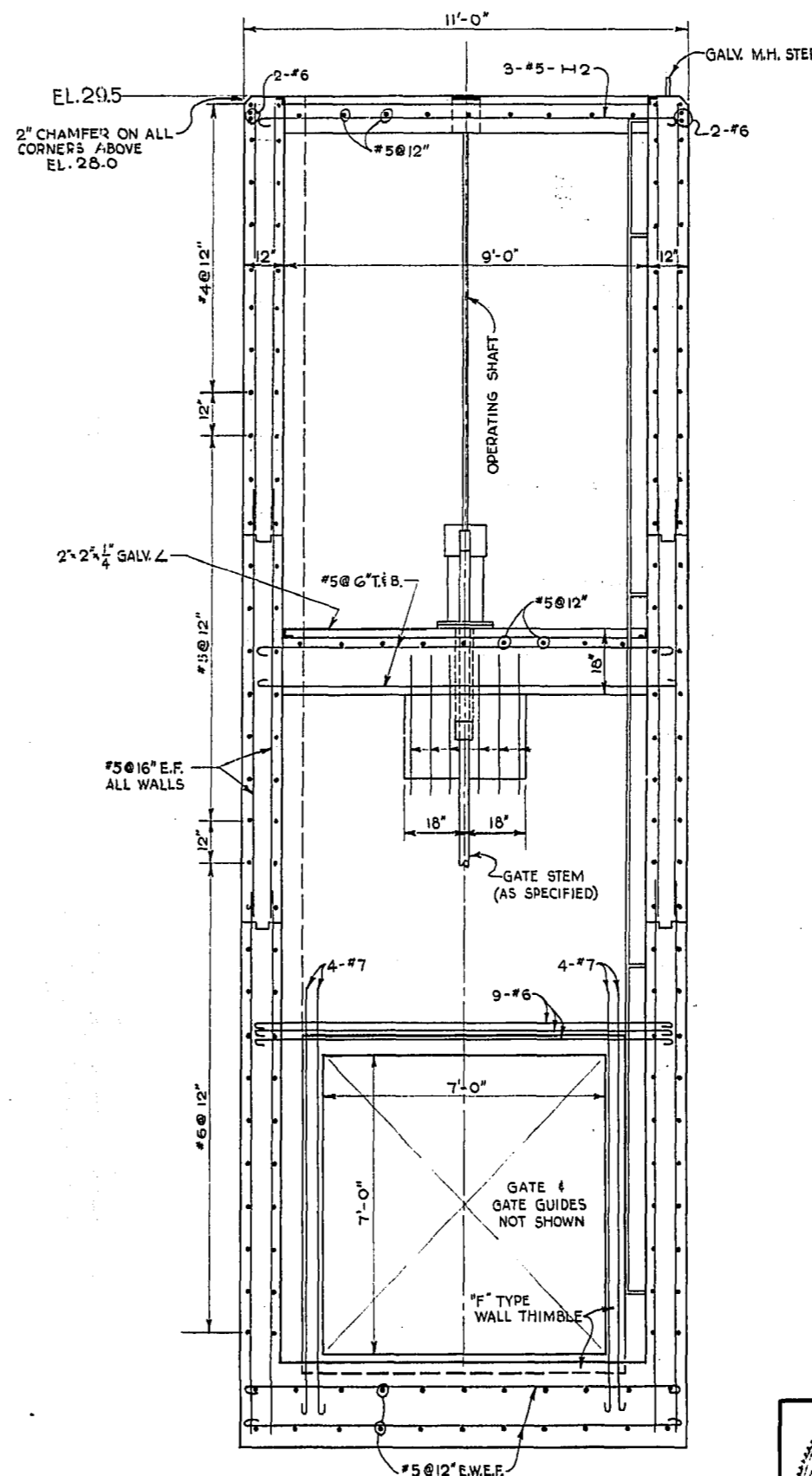
NOTE: ALL COVERS TO BE FLUSH WITH TOP OF CONCRETE AT EL. 29.50



SECTIONAL ELEVATION



SECTION "B-B"



SECTION "A-A"

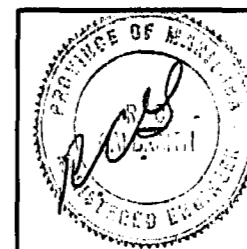
NOTES

1. ALL MISC. METAL TO BE HOT DIPPED GALVANIZED AFTER FABRICATION.
2. ALL STEEL 2 1/2" CLEAR
3. FOR LOCATION SEE DWG. SC15926

REVISED AS CONSTRUCTED  
 BY DATE  
 CHECKED BY DATE

**METRO APPROVAL REC'D.**  
 APPROVED UNDER BY LAW 15 NOV 5/71  
 STREETS & TRAFFIC NOV 5/71  
 DATE

FILE B-13-K



DETAILS OF BURROWS AV. STORM RELIEF GATE CHAMBER

CITY OF WINNIPEG  
 ENGINEERING DEPARTMENT  
 W. D. HURST, CITY ENGINEER  
 J. B. STRIOWSKI, DEPUTY CITY ENGINEER

DRAWN BY DATE OCT 20/71  
 TRACED BY  
 CHECKED BY  
 APPROVED BY  
 SCALE 3/8" = 1'-0"  
 DRAWING NO. SC15925