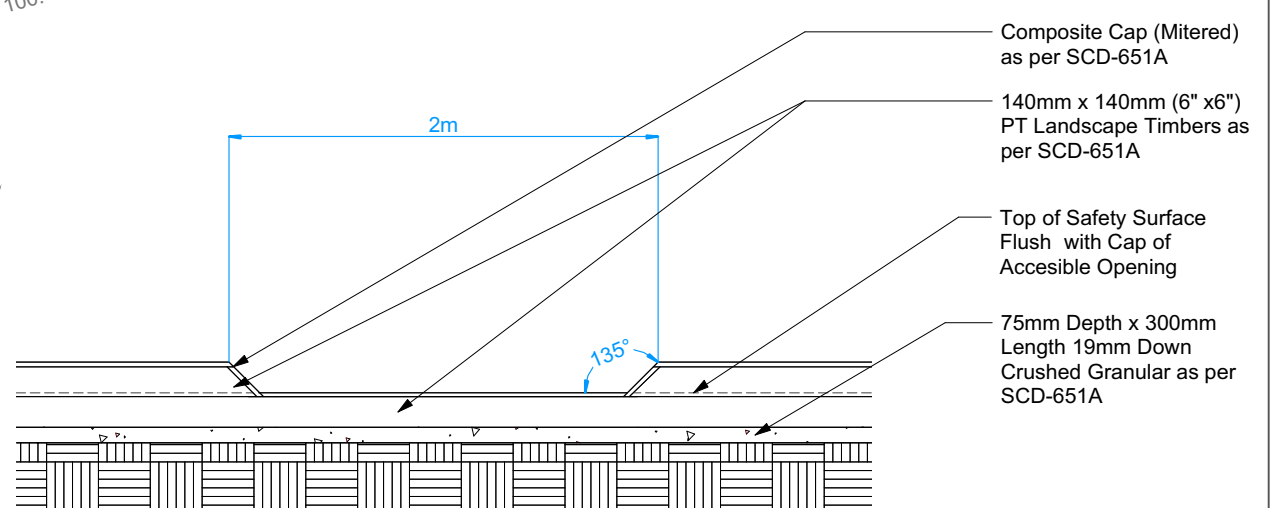


NOTES

- ELEVATIONS ARE IN METRES
- GRADES TO BE STAKED OUT FOR APPROVAL BY CONTRACT ADMINISTRATOR
- EXISTING GRADE
- PROPOSED GRADE
- TOSS: TOP OF SAFETY SURFACE
- TOT (1): TOP OF SINGLE TIER TIMBER EDGING
- TOT (2): TOP OF TWO TIER TIMBER EDGING
- GB: GRADE BREAK
- SLOPE SUBGRADE OF PLAY AREA TOWARDS SUBSURFACE DRAINAGE (MIN 1%)



ACCESSIBLE OPENING TO PLAY AREA DETAIL (NTS)

CONTRACTOR TO CONFIRM ALL DIMENSIONS AND REPORT ANY DISCREPANCIES TO CONTRACT ADMINISTRATOR PRIOR TO CONSTRUCTION. LOCATION OF UNDERGROUND STRUCTURES AS SHOWN ARE BASED ON THE BEST INFORMATION AVAILABLE BUT NO GUARANTEE IS GIVEN THAT ALL EXISTING UTILITIES ARE SHOWN OR THAT THE GIVEN LOCATIONS ARE EXACT. CONFIRMATION OF EXISTENCE AND EXACT LOCATION OF ALL SERVICES MUST BE OBTAINED FROM THE INDIVIDUAL UTILITIES BEFORE PROCEEDING WITH CONSTRUCTION.



THE CITY OF WINNIPEG
 Planning, Property and Development Department
 Planning and Land Use Division
 Unit 15 - 30 Fort Street, Winnipeg, MB, (R3C 4X5)

DESIGNED BY	IM	CHECKED BY	
DRAWN BY	IM	APPROVED BY	
HORIZ. SCALE	1:250		
VERT. SCALE			
DATE	MAY 2019		

MANAGER, PARK AND OPEN SPACES	DATE
MANAGER, PLANNING AND LAND USE DIVISION	DATE

DRAWING TITLE	DRAWING NO.
Montcalm Tot Lot Playground Redevelopment Grading Plan	M.81-A3
SITE ADDRESS 46 Montcalm Crescent	BID OPPORTUNITY NO. 484-2019