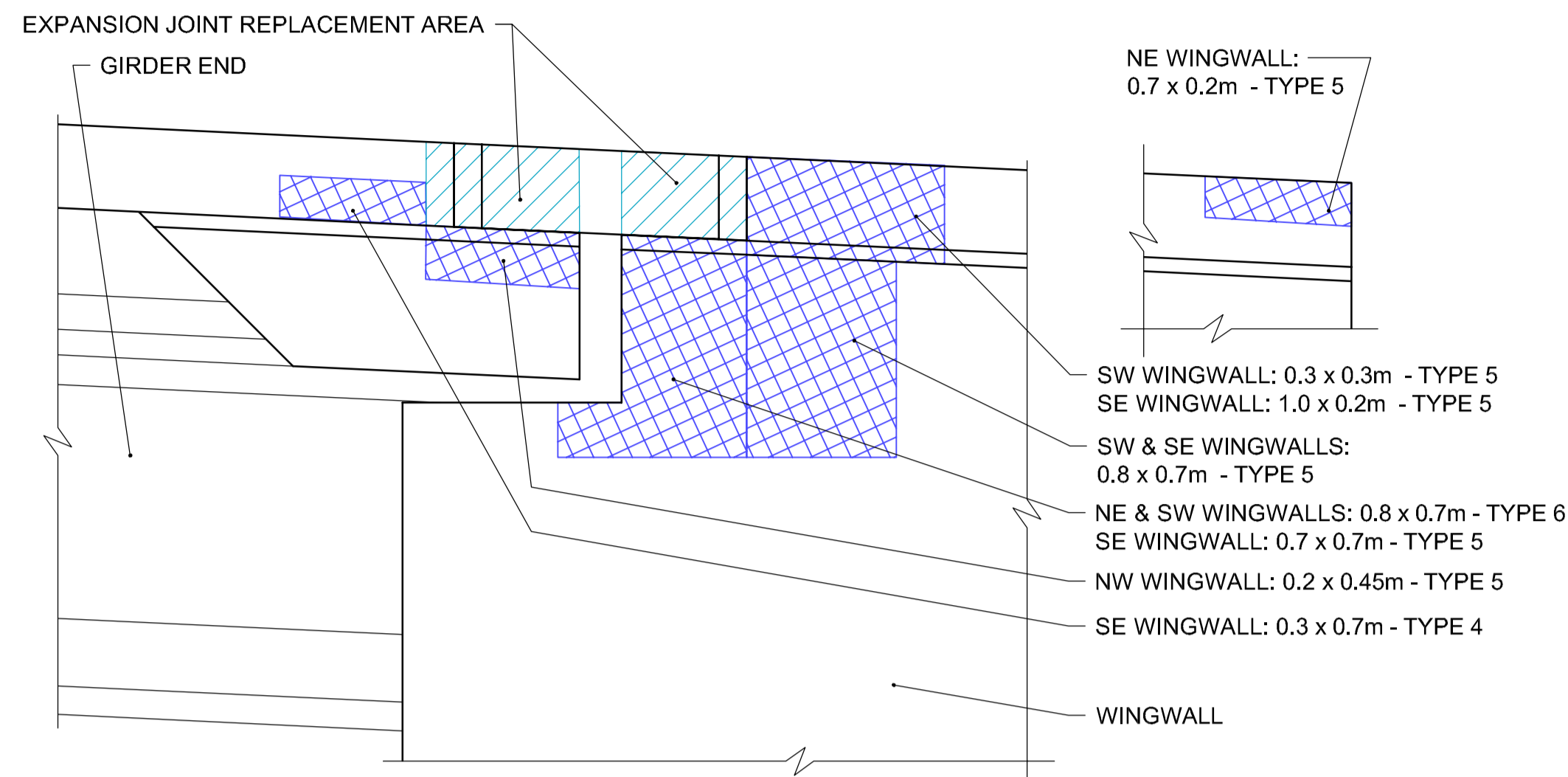
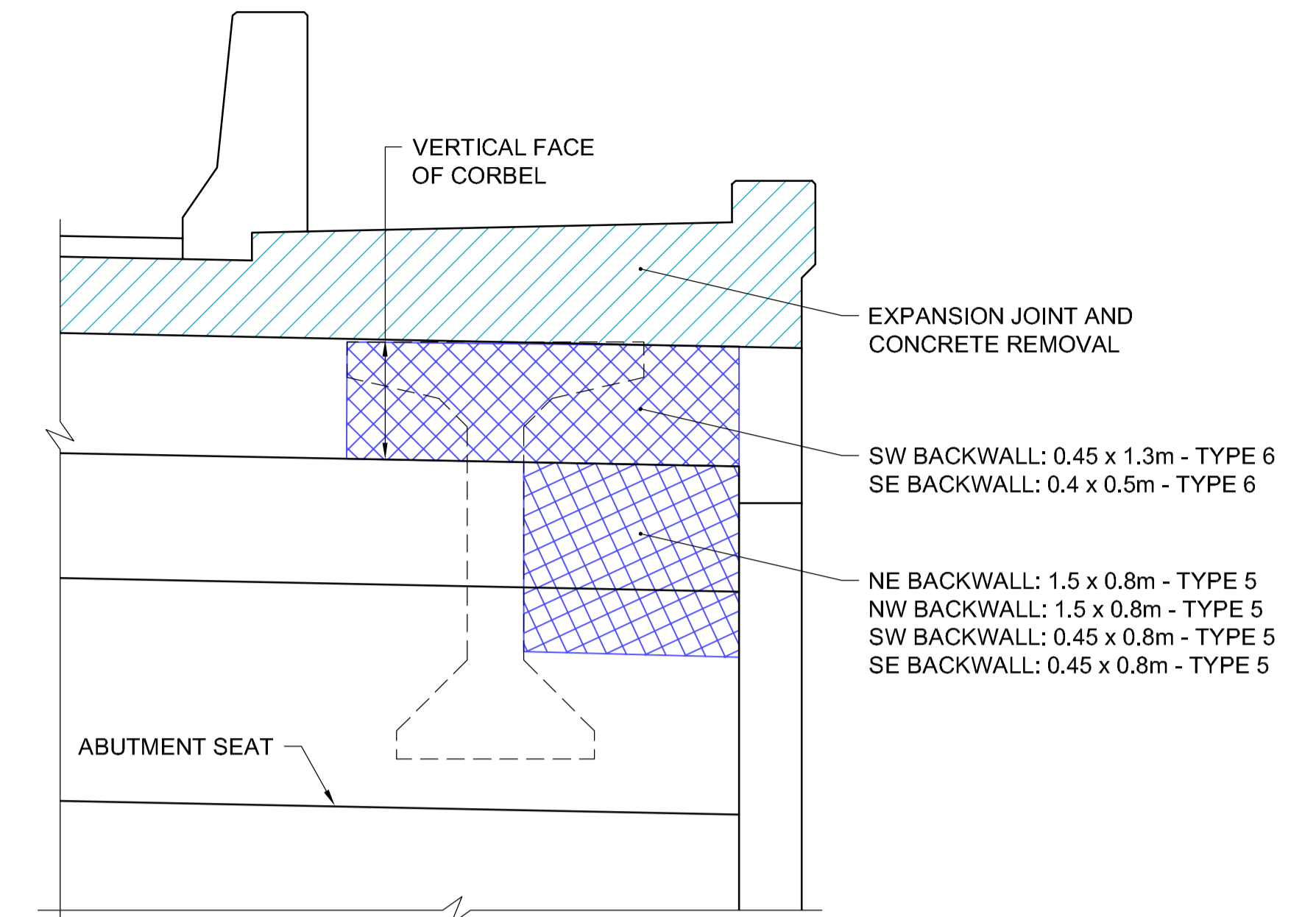


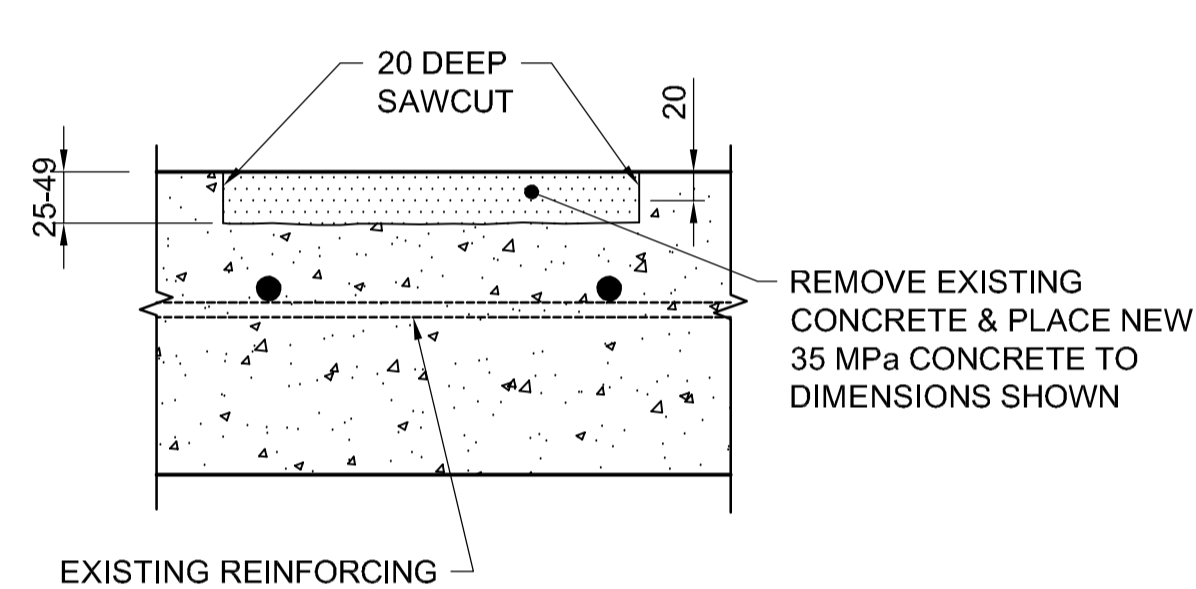
TYPICAL BARRIER REPAIRS
SCALE 1:10



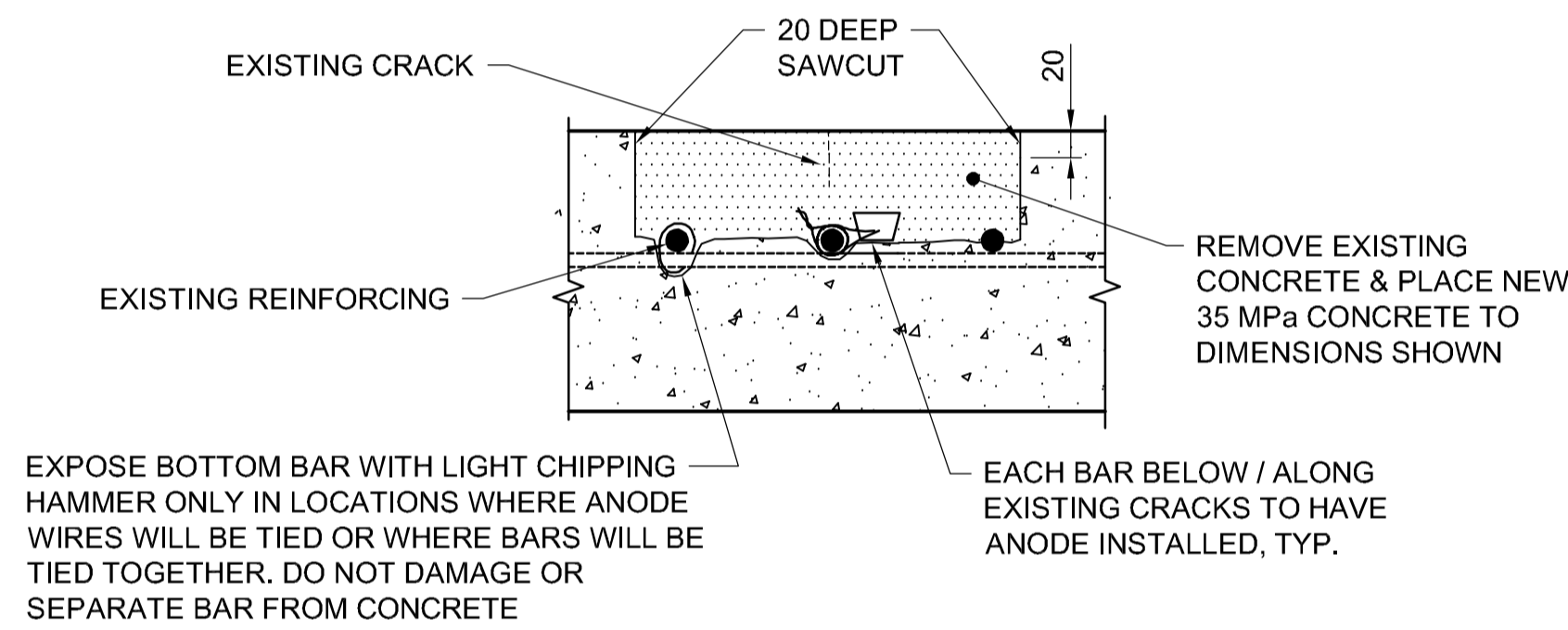
TYPICAL WINGWALL REPAIRS
SCALE 1:20



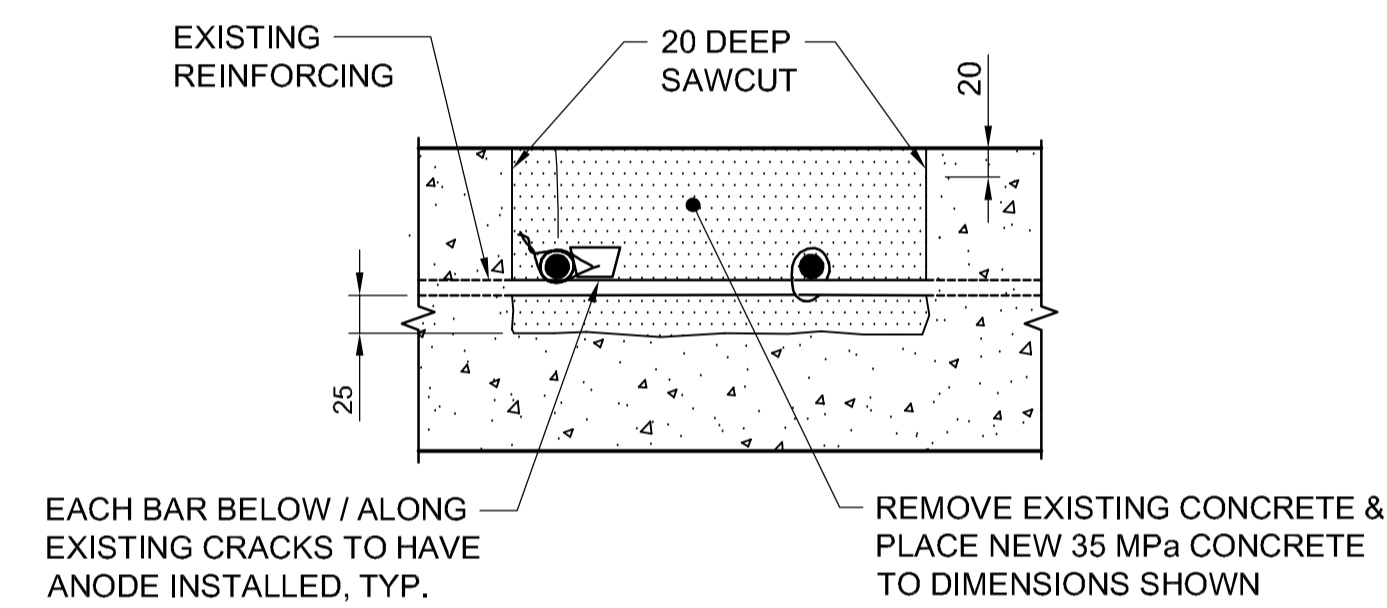
ABUTMENT BACKWALL REPAIRS
SCALE 1:20



TYPE 4 REPAIR SURFACE (25 - 49 mm)



TYPE 5 REPAIR PARTIAL DEPTH (50 - 89 mm)



TYPE 6 REPAIR FULL DEPTH (90 - 150 mm)

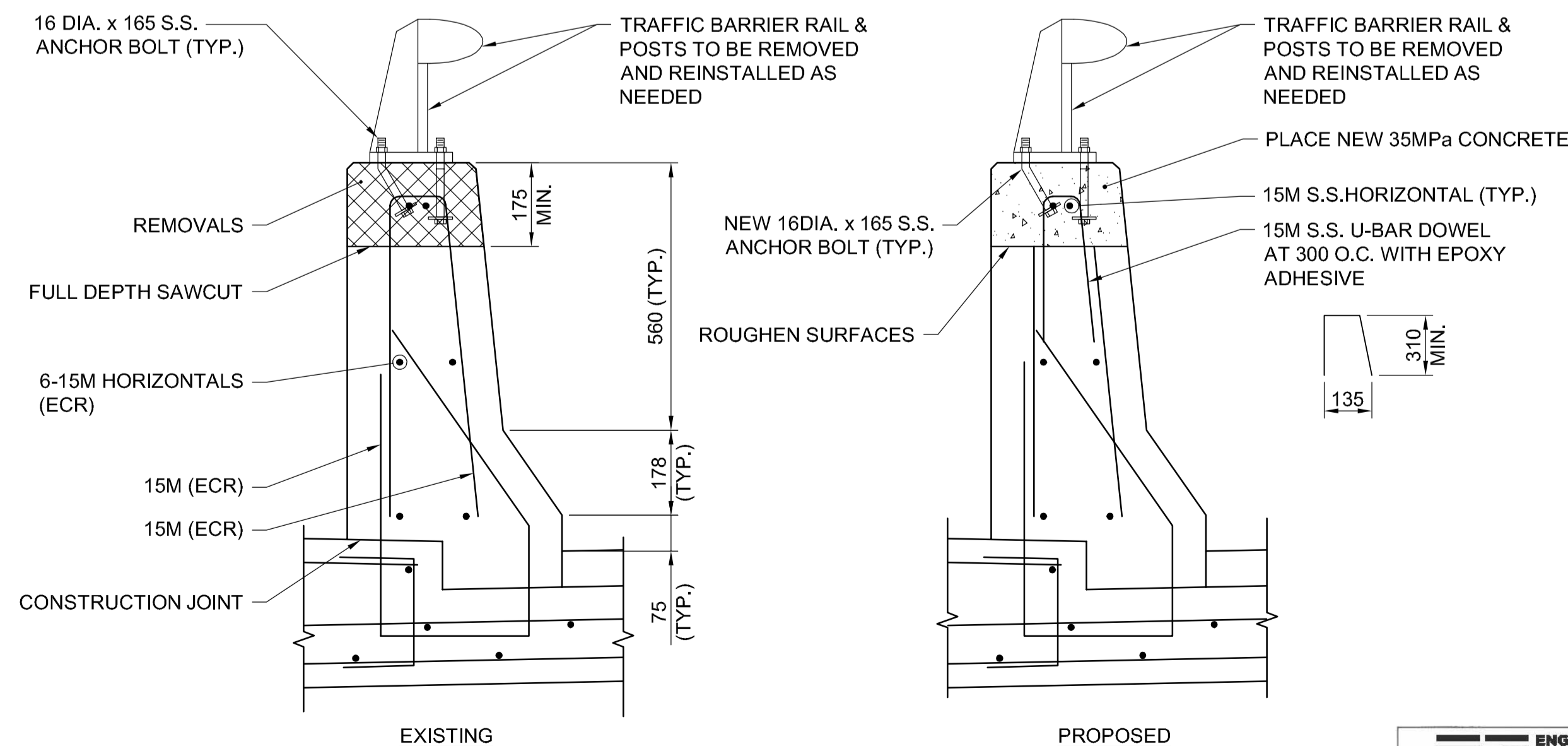
TYPICAL REPAIR DETAILS
SCALE N.T.S. (BARRIERS, WINGWALLS, APPROACH SLAB & ABUTMENT BACKWALL)

GUIDELINE FOR ANODE PLACEMENT	
REPAIR AREA (mm)	MINIMUM NUMBER OF ANODES
300 X 300	1
350 X 350	2
400 X 400	3
> 400 X 400	AT MAX. 500 SPACING AROUND PERIMETER
ALL SPOT REPAIR LOCATIONS	AT EACH BAR ALONG EXISTING CRACK

FINAL ANODE LAYOUT TO BE AS DIRECTED BY CONTRACT ADMINISTRATOR

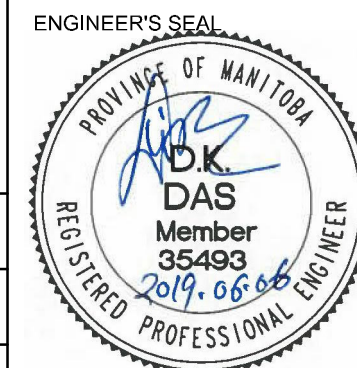
- NOTES:**
- ACTUAL REPAIR AREAS WILL BE MARKED OUT BY CONTRACT ADMINISTRATOR.
 - SEE SHEET 5 FOR ANODE INSTALLATION PLAN VIEW

ECR - EPOXY COATED REINFORCING



TYPE 7 REPAIR (BARRIER TOP - SAW CUT)
SCALE 1:10

ENGINEERS
GEOSCIENTISTS
MANITOBA
Certificate of Authorization
AECOM Canada Ltd.
No. 4871 Date: 2019.06.06

B.M. ELEV.		AECOM		 CONSULTANT DRAWING NO. CS-05	
DESIGNED BY	DKD	CHECKED BY	DKD	DESIGNED BY	DKD
DRAWN BY	KM	APPROVED BY	EBL	DRAWN BY	KM
HOR. SCALE:	AS NOTED	RELEASED FOR CONSTRUCTION BY:		HOR. SCALE:	AS NOTED
VERTICAL:	AS NOTED			VERTICAL:	AS NOTED
NO. REVISIONS	DATE	BY	DATE	NO. REVISIONS	DATE
0	ISSUED FOR TENDER	19/06/06	DKD	0	2019-04-24

THE CITY OF WINNIPEG
PUBLIC WORKS DEPARTMENT
TRANSPORTATION ENGINEERING DIVISION

2019 SLAW REBCHUK OVERPASS DECK, EXPANSION JOINTS AND MISCELLANEOUS REPAIRS

CITY DRAWING NUMBER B115-19-06

SHEET 6 OF 8

MISCELLANEOUS REPAIR DETAILS FOR BARRIERS, WINGWALLS AND BACKWALL

REV-0

P:\60657\10\90-CAD_016\10-CAD\90-SHEETS\C54-01.DWG