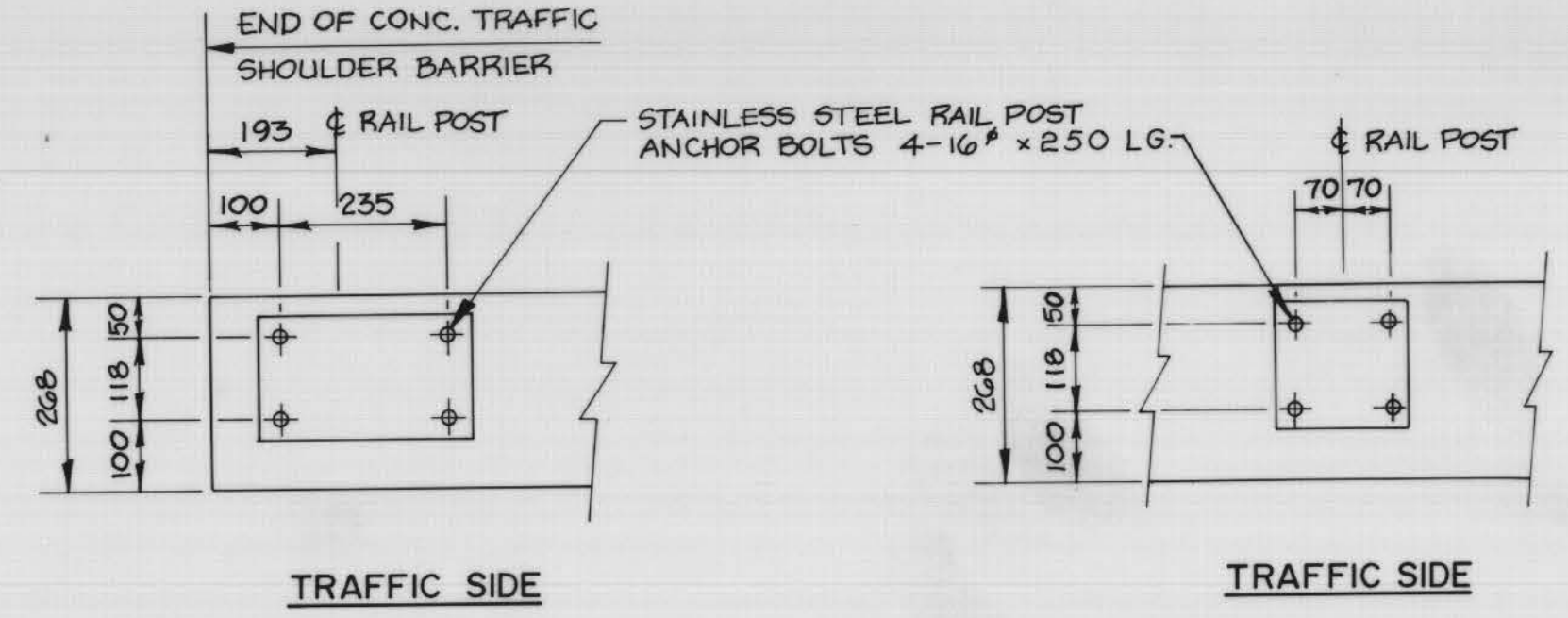
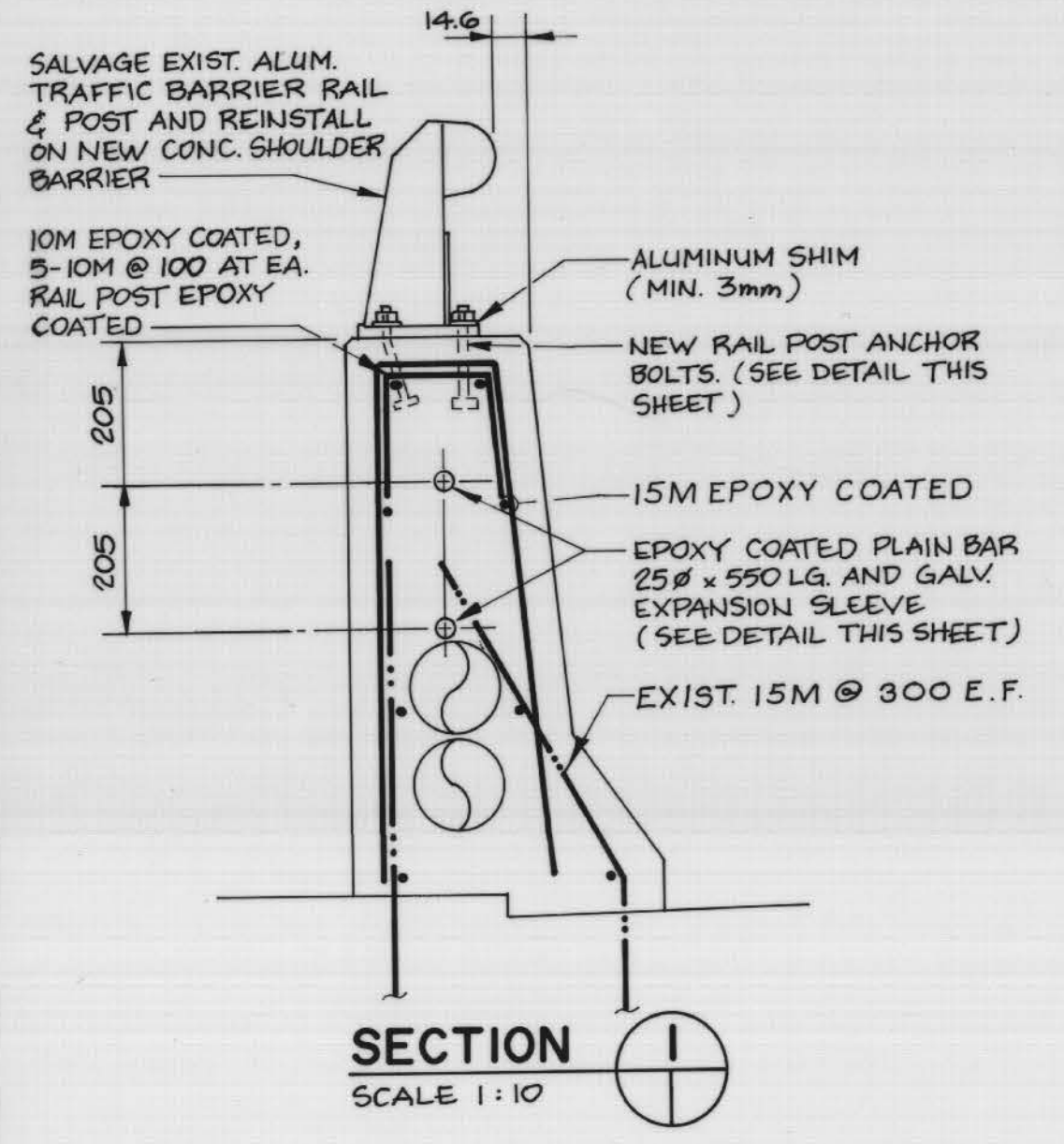


EXISTING SHOULDER BARRIER DETAIL
SCALE 1:50

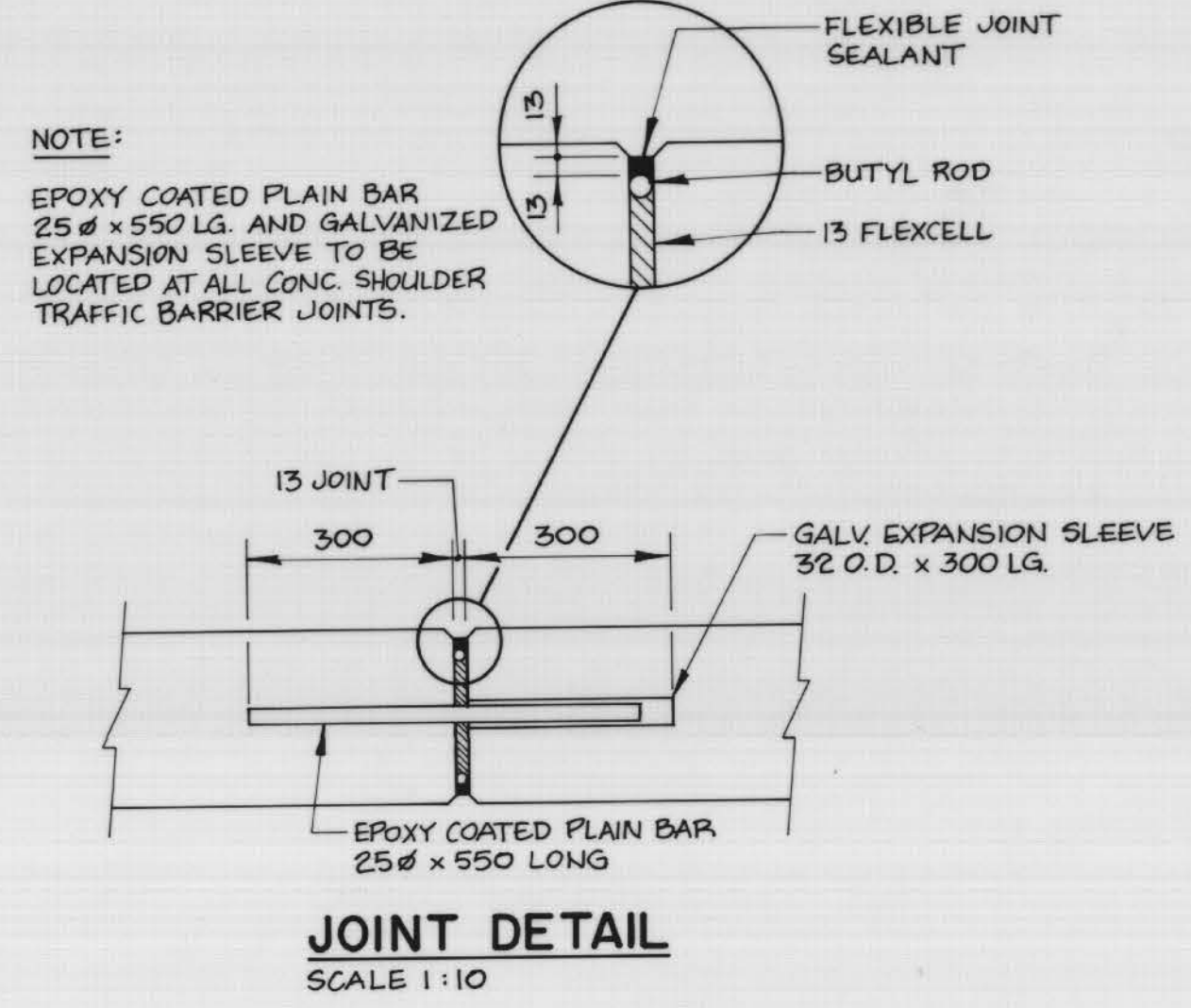


RAIL END PLATE DETAIL
SCALE 1:10

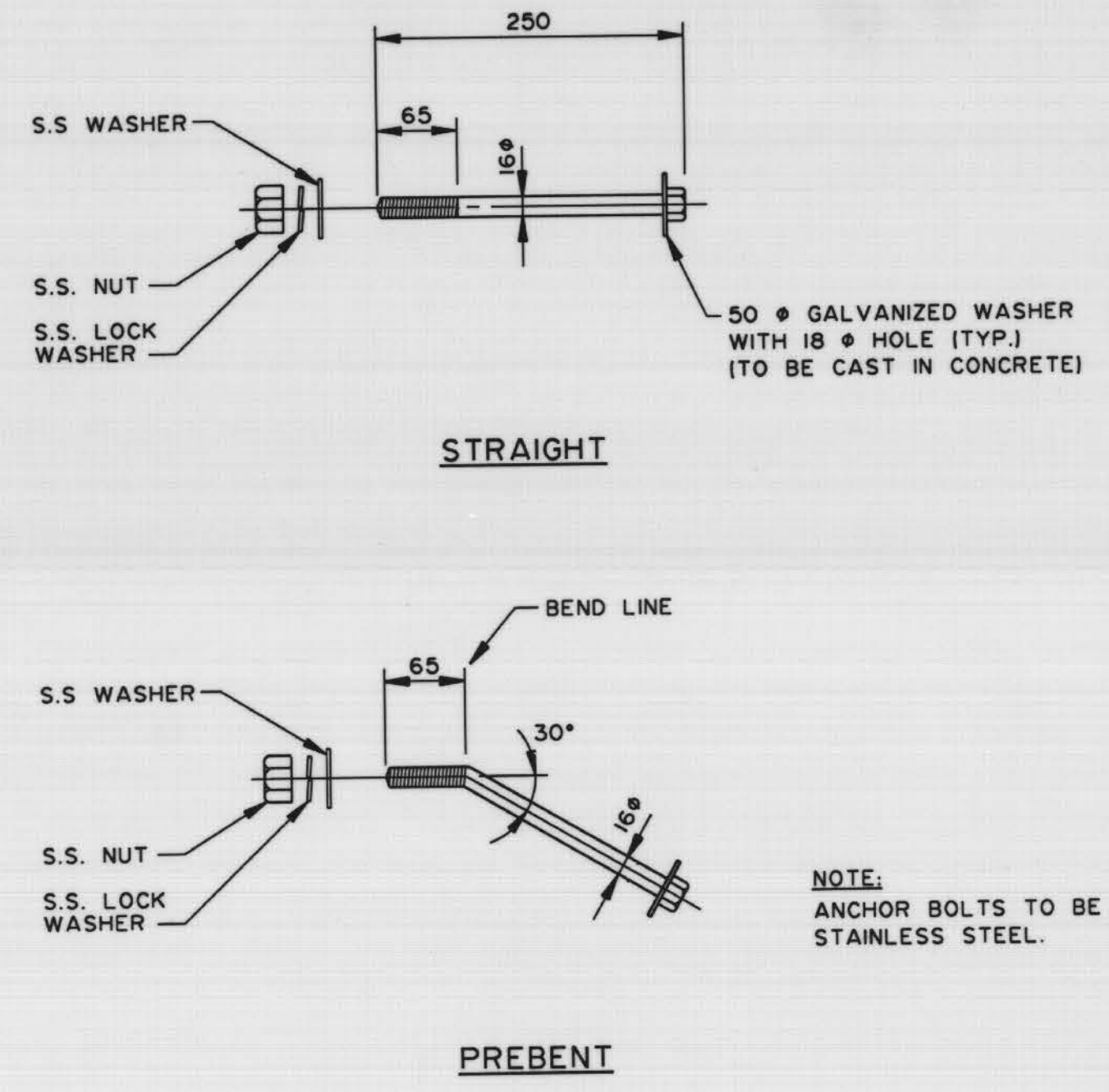
RAIL POST PLATE DETAIL
SCALE 1:10



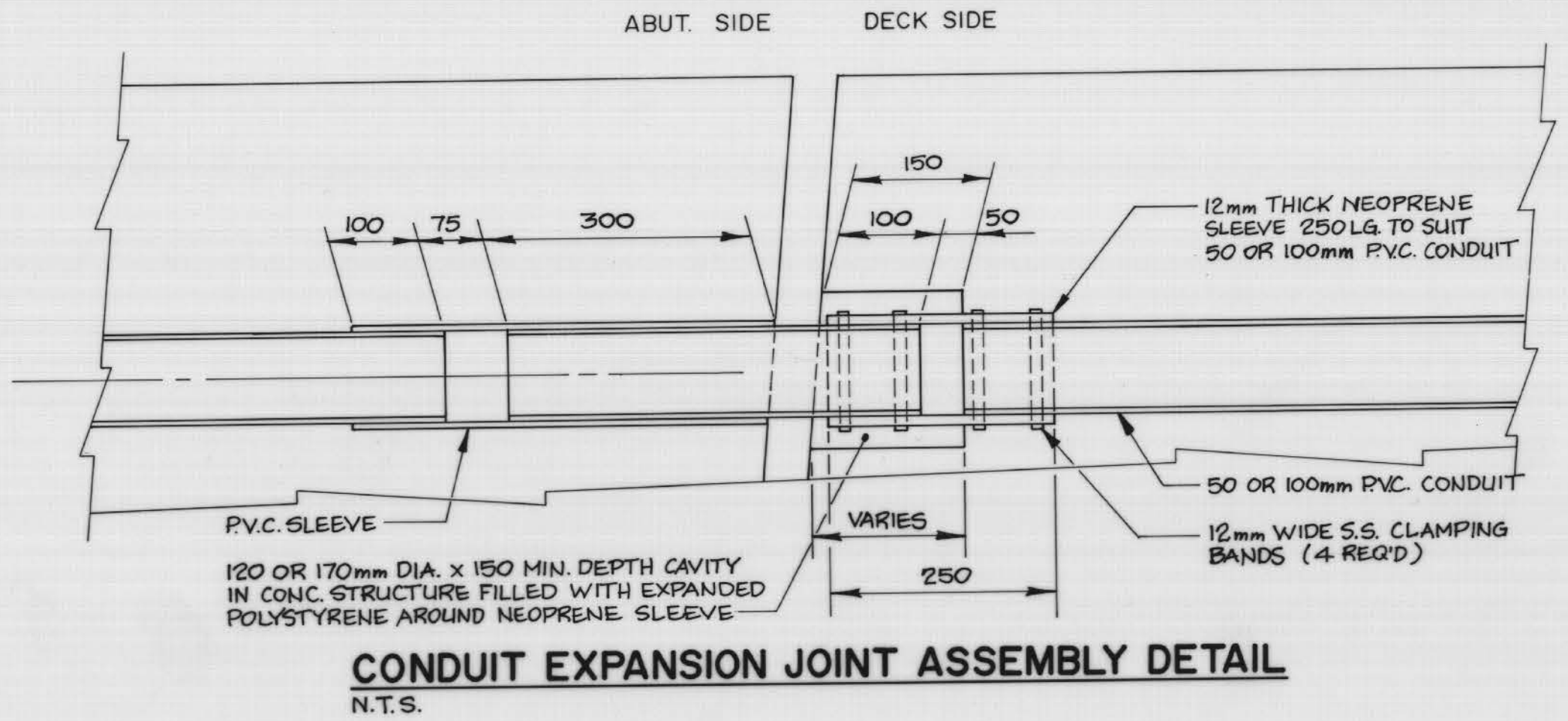
SECTION
SCALE 1:10



JOINT DETAIL
SCALE 1:10



ANCHOR BOLT DETAILS
N.T.S.



CONDUIT EXPANSION JOINT ASSEMBLY DETAIL
N.T.S.

RECORD DRAWING
APPROVED BY: *R. Smith* DATE: 96-01-12

LOCATION APPROVED UNDERGROUND STRUCTURES N/A	B.M. ELEV.	DILLON Consulting Engineers • Planners Environmental Scientists	
SUPV. U/G STRUCTURES COMMITTEE DATE		DESIGNED BY: M.C.	CHECKED BY: M.C.
NOTE: LOCATION OF UNDERGROUND STRUCTURES AS SHOWN ARE BASED ON THE BEST INFORMATION AVAILABLE BUT NO GUARANTEE IS GIVEN THAT ALL EXISTING UTILITIES ARE SHOWN OR THAT THE GIVEN LOCATIONS ARE EXACT CONFIRMATION OF EXISTENCE AND EXACT LOCATION OF ALL SERVICES MUST BE OBTAINED FROM THE INDIVIDUAL UTILITIES BEFORE PROCEEDING WITH CONSTRUCTION		DRAWN BY: B.A.S./C.R.B.	APPROVED BY: <i>R. Smith</i>
		HOR. SCALE: AS SHOWN	DATE: 96-01-12
		VERTICAL: AS SHOWN	ACCEPTED BY: <i>R. Smith</i>
		DATE: AUG. 1994	DATE: 96-01-12
NO. REVISIONS	DATE	BY	DATE



THE CITY OF WINNIPEG
WORKS AND OPERATIONS DIVISION
STREETS AND TRANSPORTATION DEPARTMENT

1994 BRIDGE MAINTENANCE - SLAW REBCHUK BRIDGE
APPROACH PAVEMENT RECONSTRUCTION
PHASE 1

CITY DRAWING NUMBER: B115-94-04
SHEET 4 OF 5

CONCRETE SHOULDER BARRIER DETAILS

B-5958-4

MMD 94-1909-01