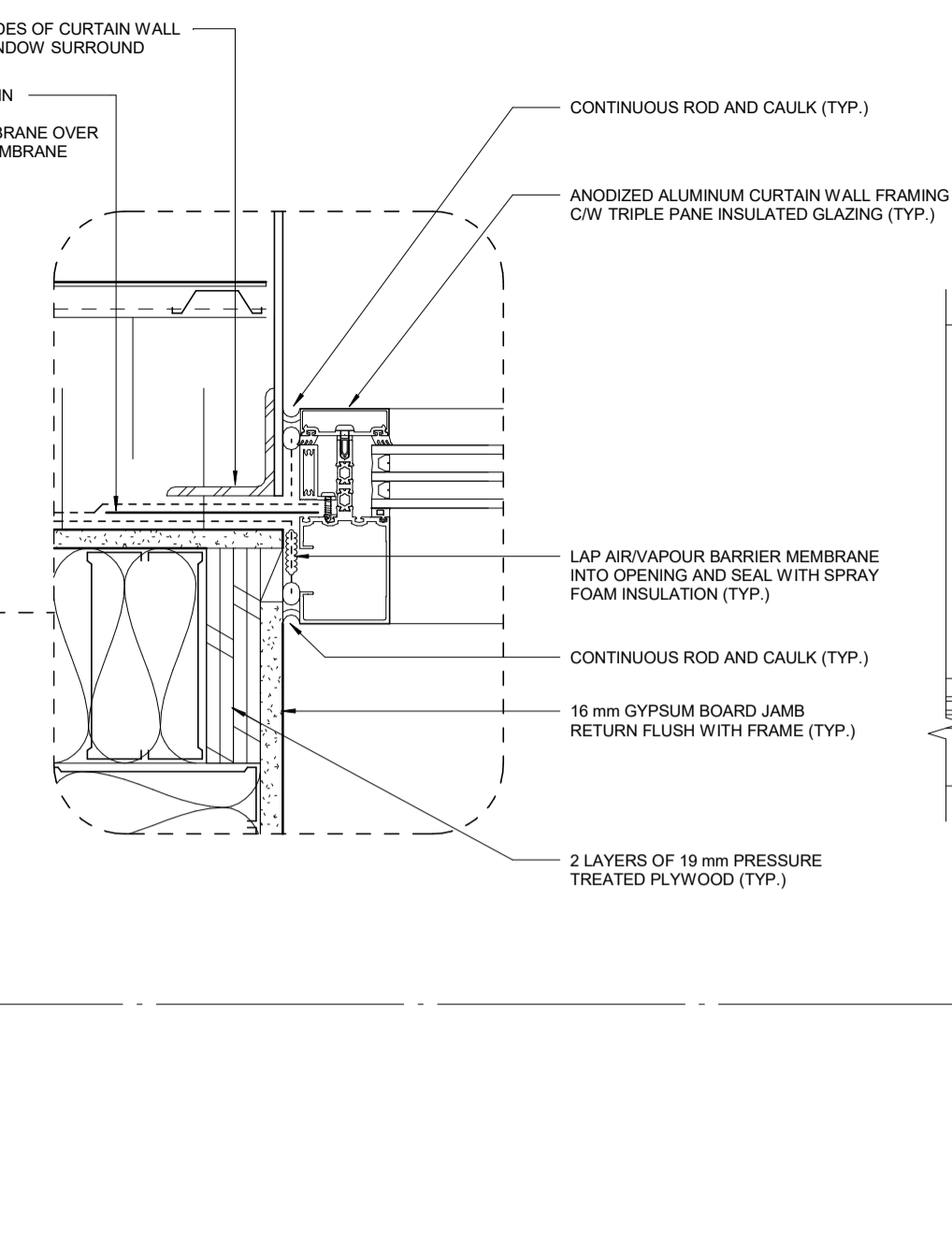
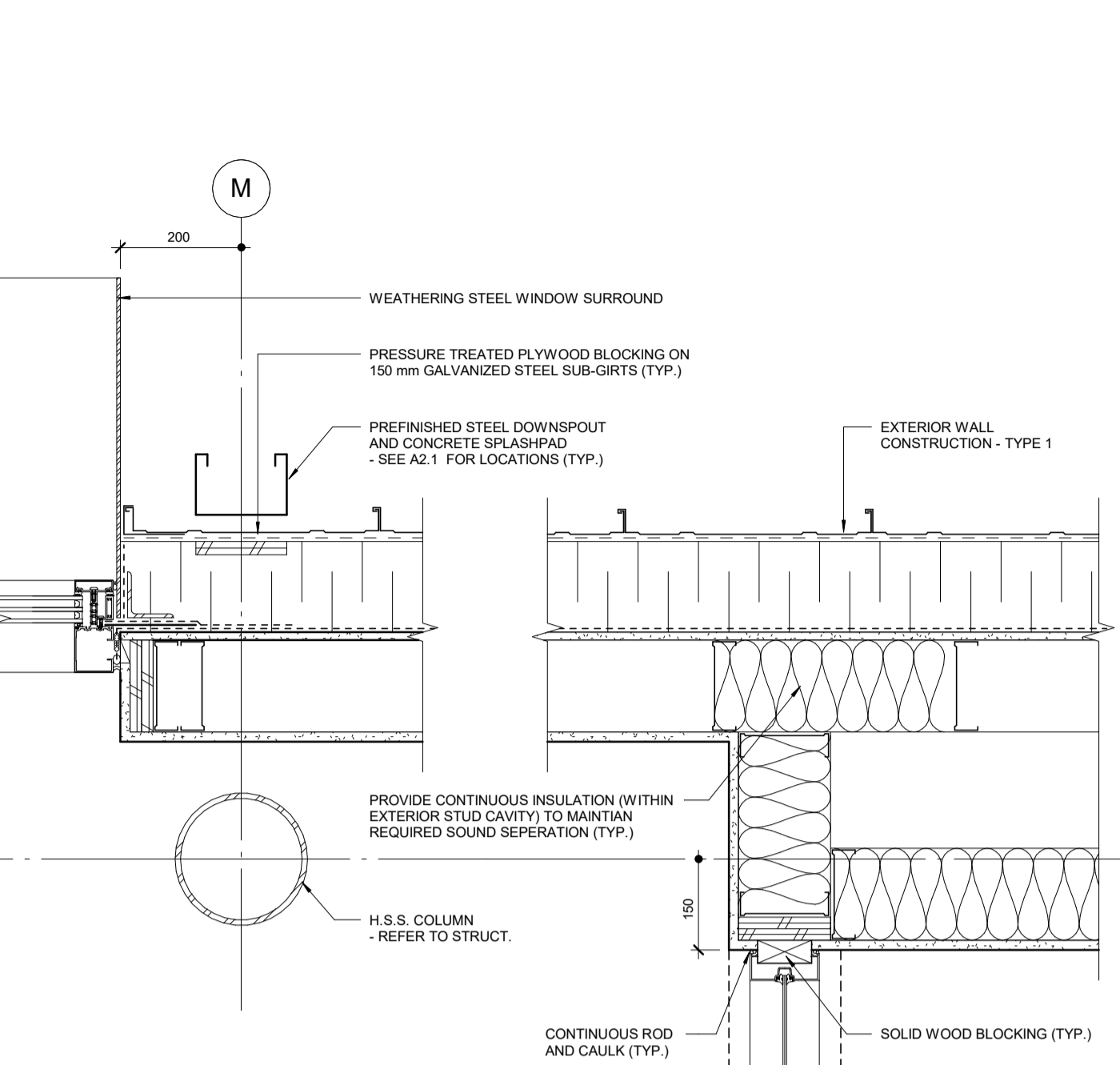


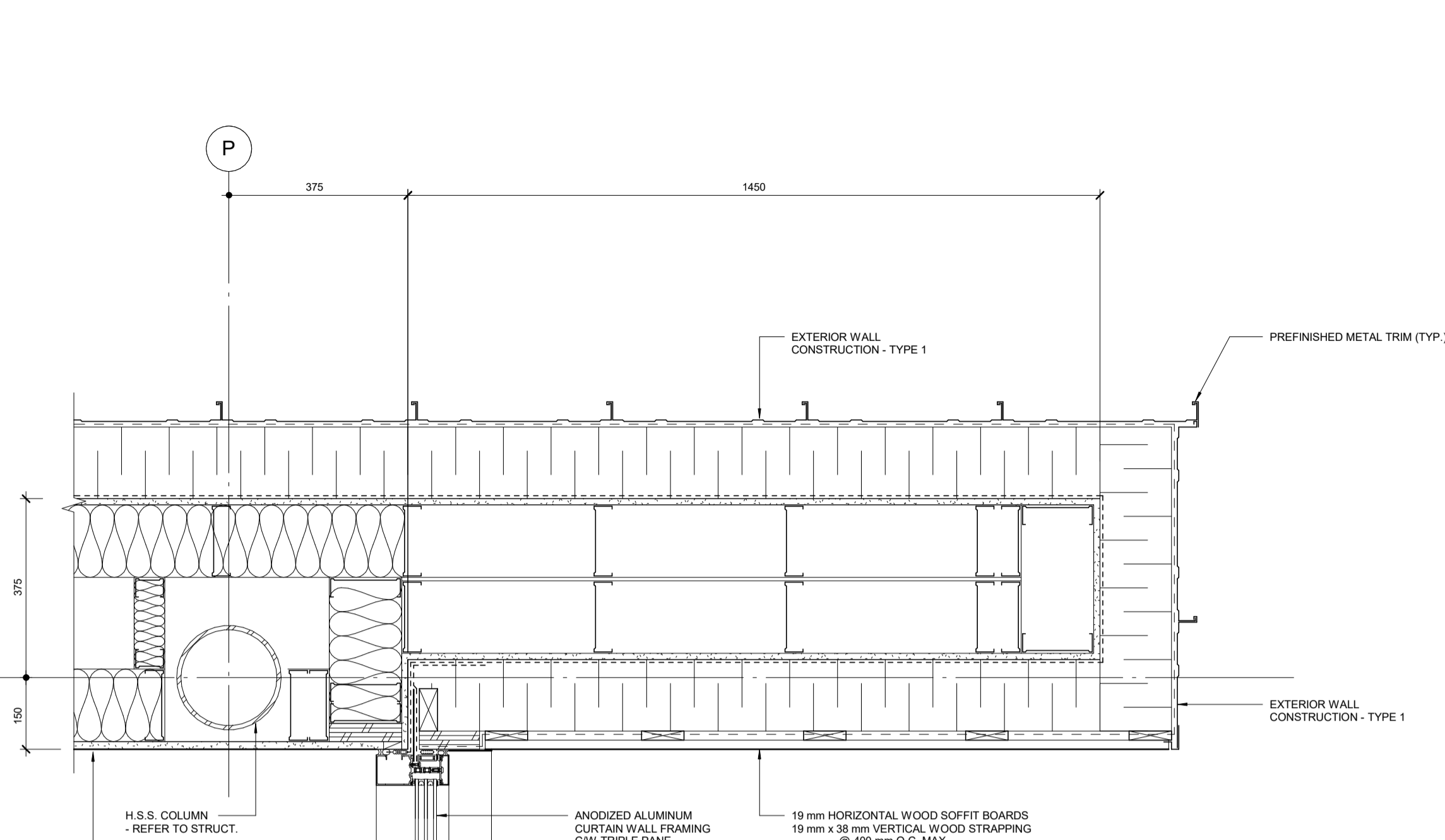
8 CONSTRUCTION DETAIL  
SCALE 1:10



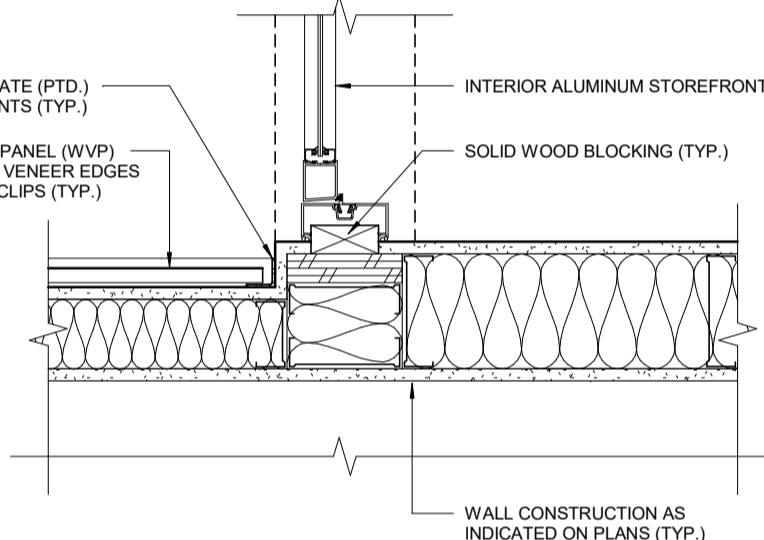
9 CONSTRUCTION DETAIL  
SCALE 1:10



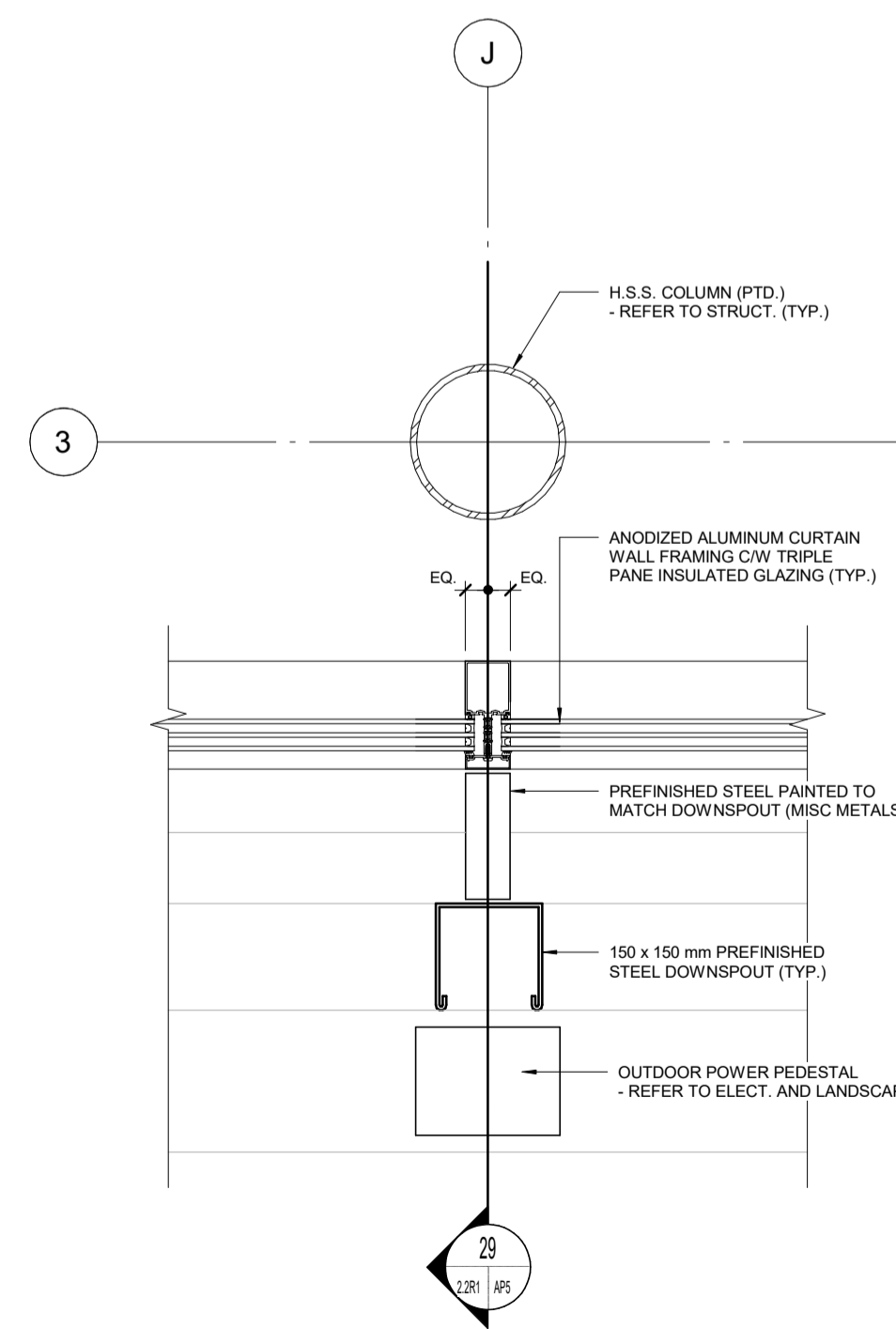
10 CORNER DETAIL AT MPR  
SCALE 1:10



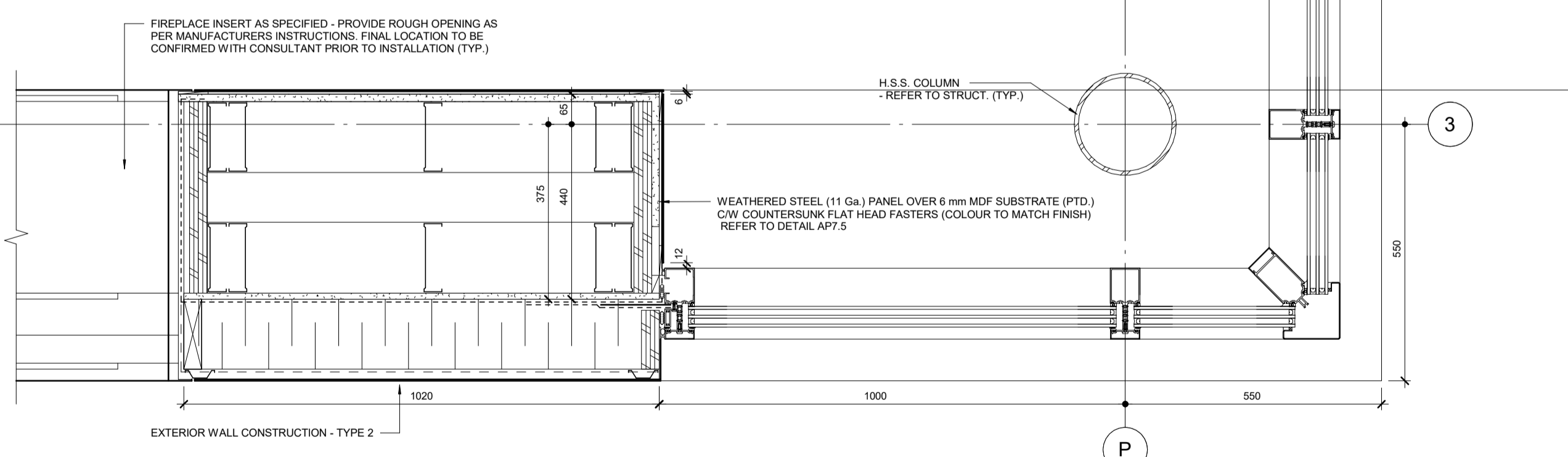
11R CONSTRUCTION DETAIL  
SCALE 1:10



12 INTERIOR DETAIL  
SCALE 1:10



14 DOWNSPOUT DETAIL AT PORCH  
SCALE 1:10



SECTION THU FIREPLACE INSERT  
SCALE 1:10

No.	Date	Issue / Revision	By
5	July 08, 2019	Issued for Construction	HW
4	June 26, 2019	Issued for 100% Pre-Tender Review	HW
3	May 13, 2019	Issued for Pre-Tender Review	HW

Drawn By: HW  
Printing Date: 08.08.19

500-136 Market Ave  
Winnipeg Manitoba  
Canada R3B 0P4  
t: (204) 942.0681  
f: (204) 943.8676  
www.im-architects.com

Drawings and specifications, as instruments of service are the property of the architects, the copyright in the same being reserved to them. No reproduction may be made without the permission of the architects, and when made, must bear their names. All prints to be returned.  
The contractor is to verify dimensions and data noted herein with conditions on the site and is held responsible for reporting any discrepancy to the architects for adjustment.

**Winnipeg**  
**Bill and Helen Norrie Library**  
Project No.: 2017-082  
Tender No.: 542-2019  
Address: 15 Poseidon Bay, Winnipeg, MB.

**Plan Details**  
Comm. No.: 1847  
Sheet: **A5.5R1**