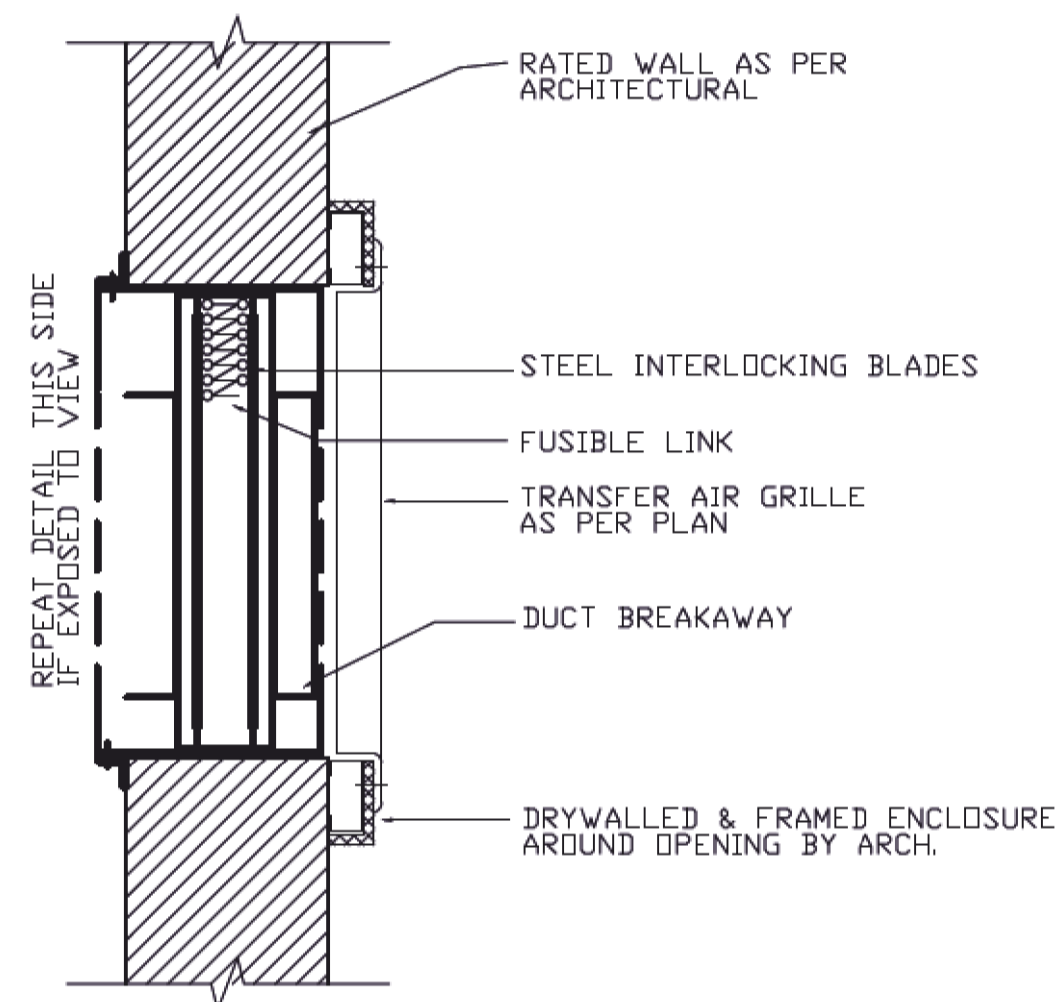


NOTES

FIRE DAMPER TO BE INSTALLED AS PER MANUFACTURER'S RECOMMENDATION.
DUCT/COLLAR BREAKAWAY CONNECTION TO BE APPROVED.

FIRE DAMPER DETAIL

SCALE: N.T.S.

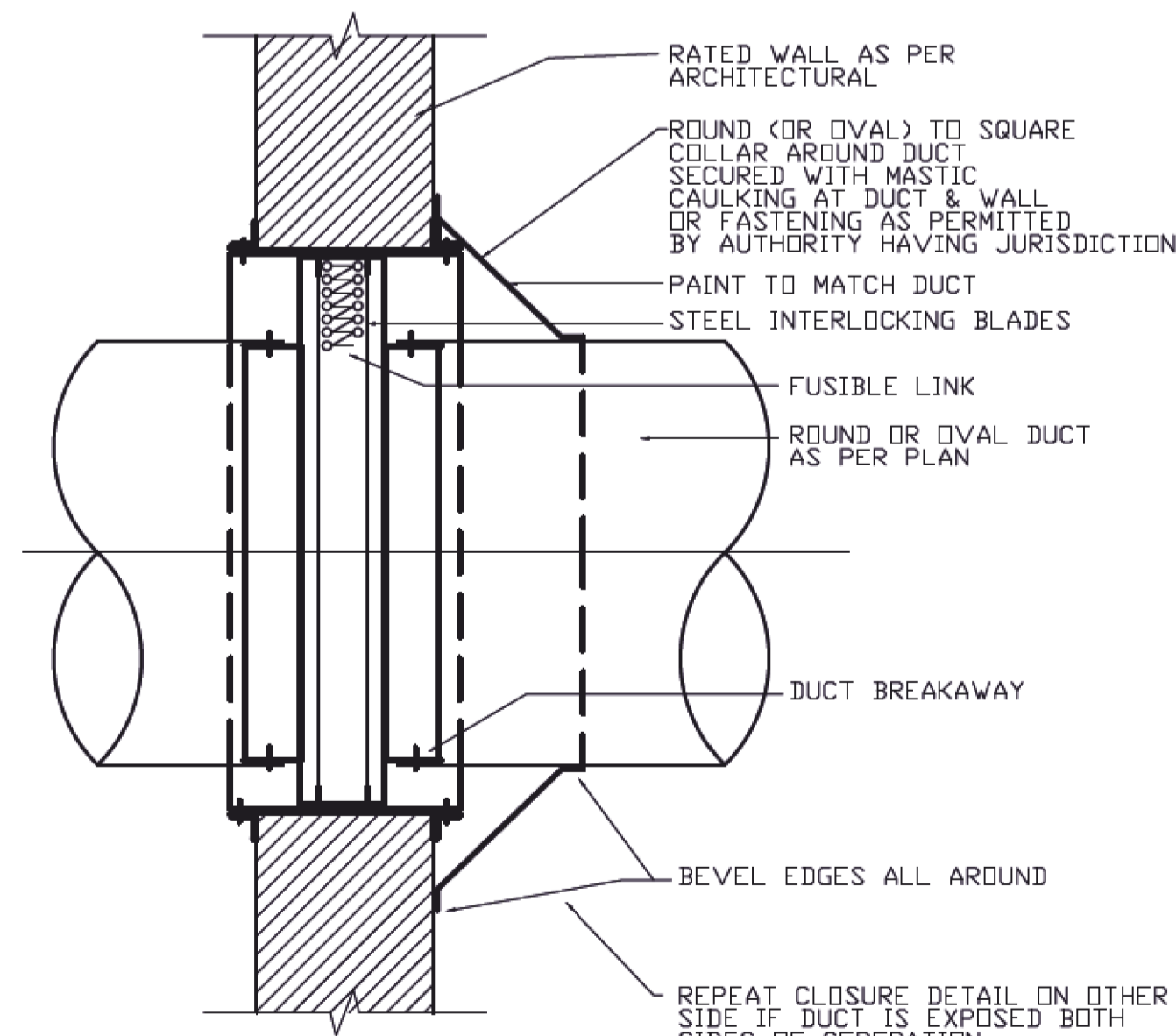


NOTES

FIRE DAMPER TO BE INSTALLED AS PER MANUFACTURER'S RECOMMENDATION.
DUCT/COLLAR BREAKAWAY CONNECTION TO BE APPROVED.

FIRE DAMPER DETAIL

SCALE: N.T.S.

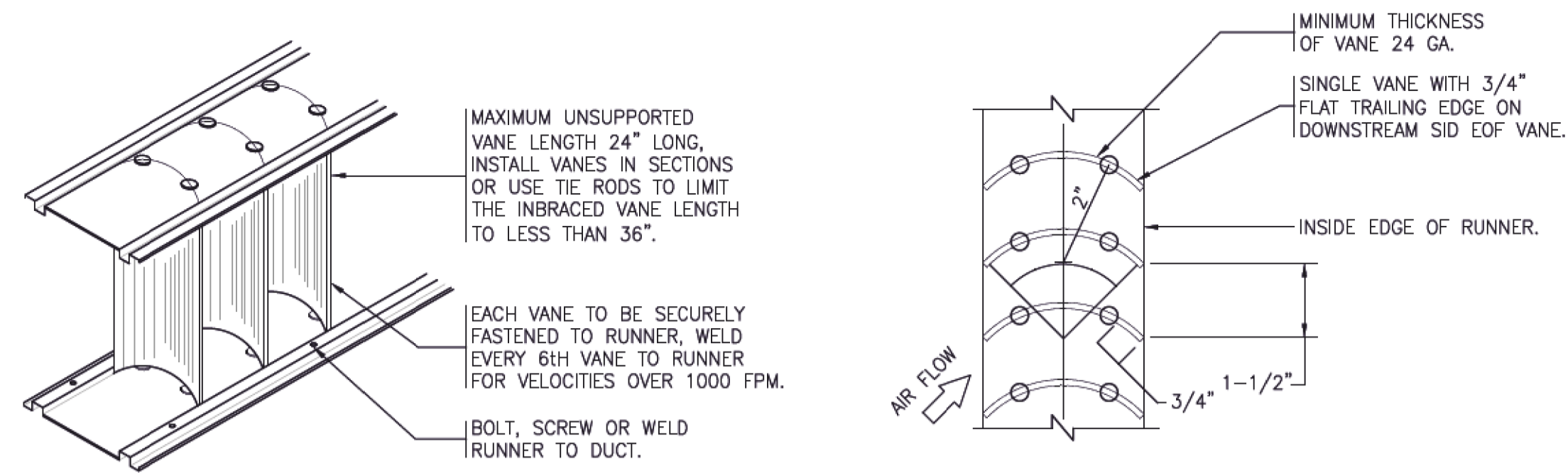


NOTES

FIRE DAMPER TO BE INSTALLED AS PER MANUFACTURER'S RECOMMENDATION.
DUCT/COLLAR BREAKAWAY CONNECTION TO BE APPROVED.

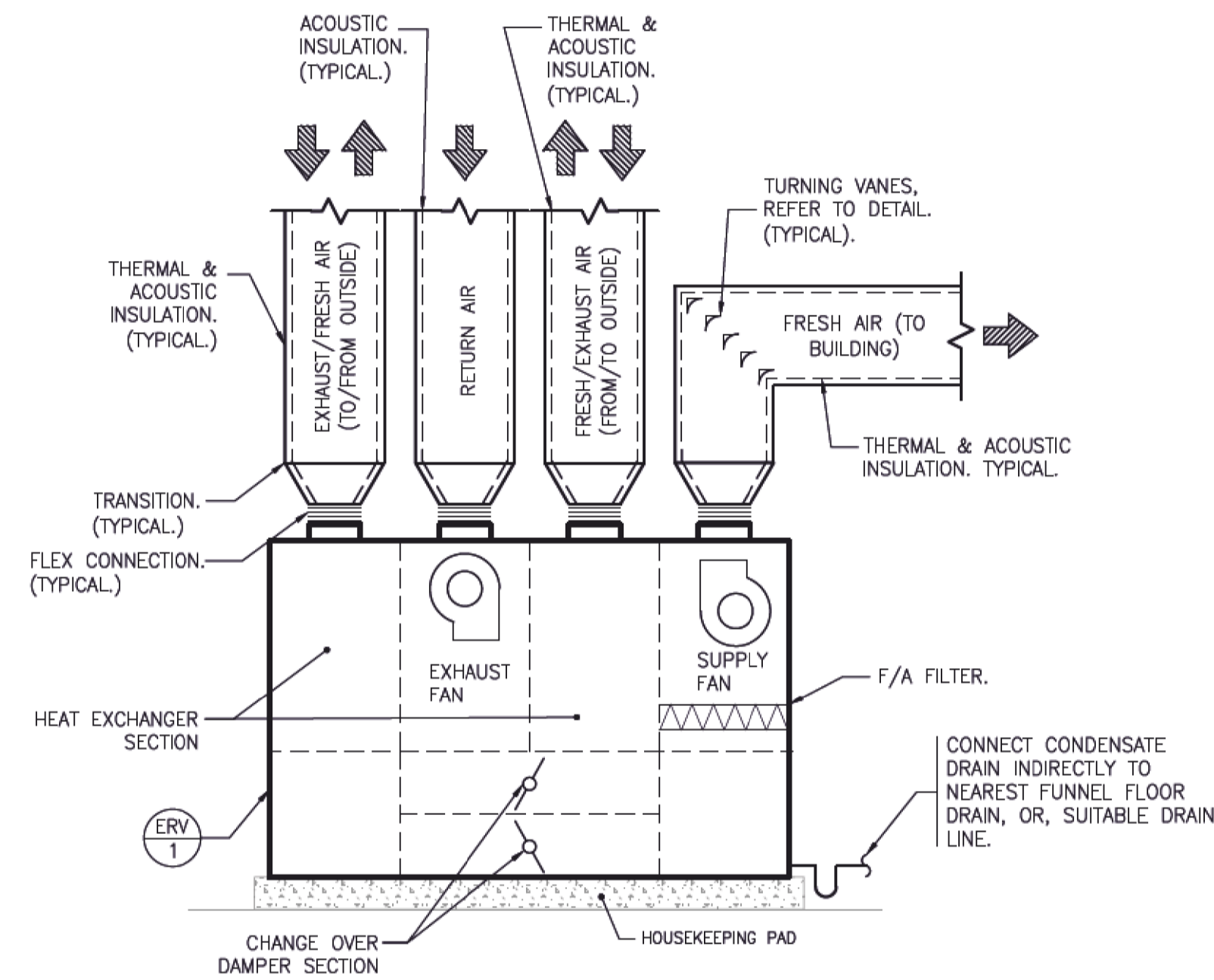
FIRE DAMPER DETAIL

SCALE: N.T.S.



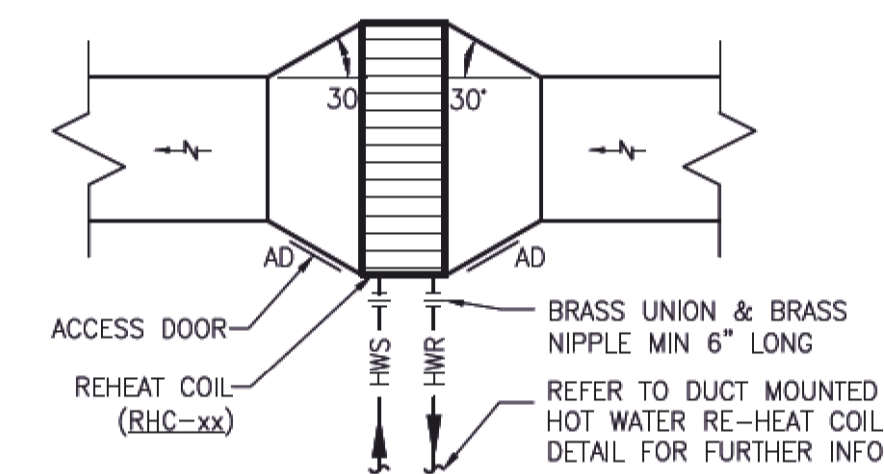
TYPICAL TURNING VANES

SCALE: N.T.S.



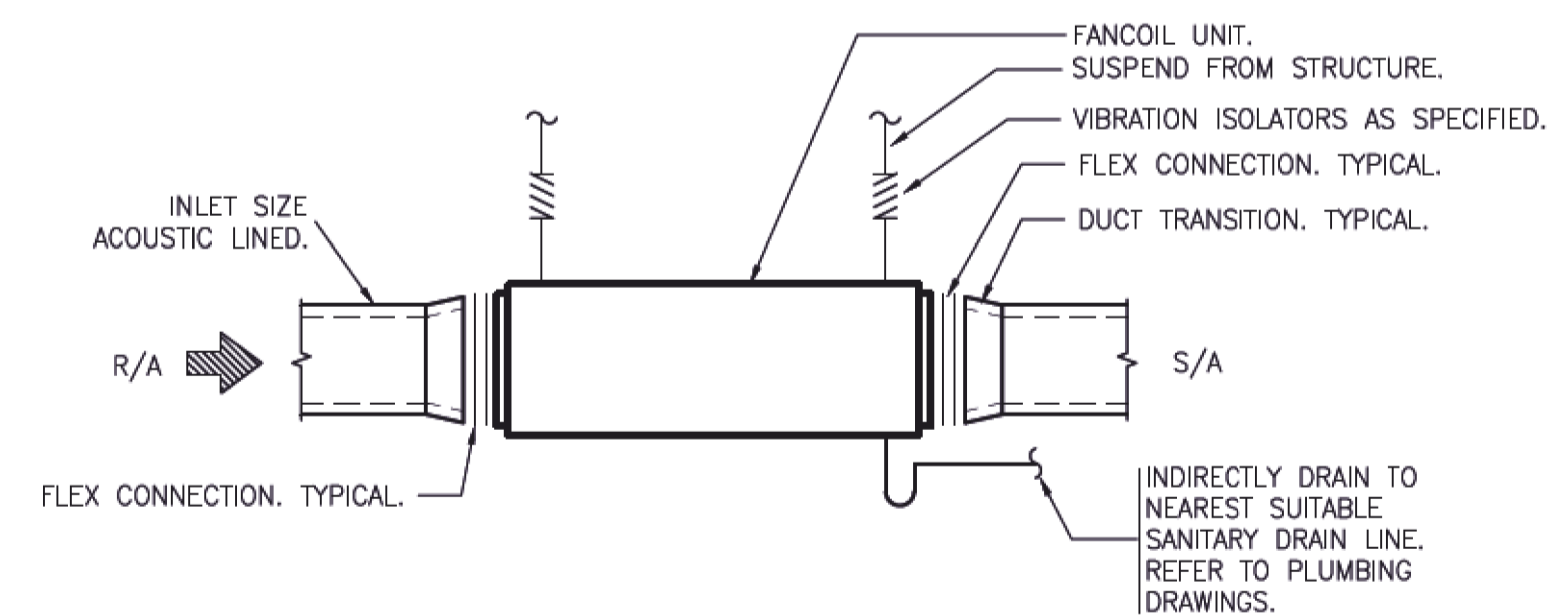
ENERGY RECOVERY VENTILATOR/DOAS (ERV-1) DETAIL

SCALE: N.T.S.



DUCT MOUNTED HEATING RE-HEAT COIL ACCESS (TYPICAL)

SCALE: N.T.S.



HORIZONTAL FANCOIL UNIT DETAIL

SCALE: N.T.S.

TOWER PROJECT NO.: 181335
TOWER ENGINEERING GROUP
 UNIT 1-1140 WAVERLEY ST. WINNIPEG, MB R3T 0P4
 TEL: (204) 925-1150 FAX: (204) 925-1155
 EMAIL: towereng@towereng.ca WEB: www.towereng.ca
 • WINNIPEG • CALGARY

These design documents are prepared solely for the use by the party with whom the design professional has entered into a contract and those are no representation of any kind made by the design professional to any party with whom the design professional has not entered into a contract. Any use of the drawings, data or electronic data without the expressed written permission of Tower Engineering Inc. is strictly prohibited. The contractor is responsible to verify all dimensions with conditions on the site and report discrepancies to Tower Engineering for adjustment. All joints to be reworked.

500-136 Market Ave
 Winnipeg, Manitoba
 Canada R3B 0P4
 t: (204) 942.0681
 f: (204) 943.8676
LM Architectural Group www.lm-architects.com

1 July 08, 2019 Issued For Construction JAC	
No.	Date Issue / Revision By
Drawn By: JChimko	
Printing Date: July 16, 2019	

APEGM
 Certificate of Authorization
Tower Engineering Group
 No. 4156 Expiry: April 30, 2020

PROVINCE DE MANITOBA
CHIMKO
 Member 23356
 REGISTRE DES PROFESSIONNELS

Drawings and specifications, as instruments of service are the property of the architects, the copyright in the same being reserved to them. No reproduction may be made without the permission of the architects, and when made, must bear their names. All prints to be returned.

The contractor is to verify dimensions and data noted herein with conditions on the site and is held responsible for reporting any discrepancy to the architects for adjustment.

Bill and Helen Norrie Library
 Project No.: 2017-082
 Tender No.: 542-2019
 Address: 15 Poseidon Bay, Winnipeg, MB.

Winnipeg

HVAC DETAILS

Comm. No.: 1847
 Sheet: **M2.2**

Printed on: 7/16/2019 10:52:13 AM
 Drawing: 181335 - M2.2 & M2.3 HVAC DETAILS & SECTIONING.dwg