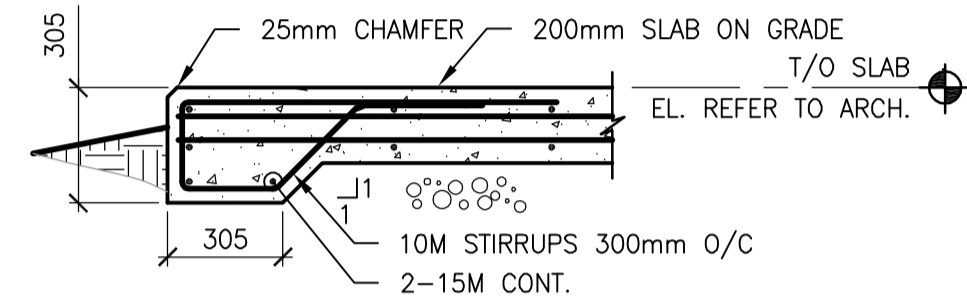
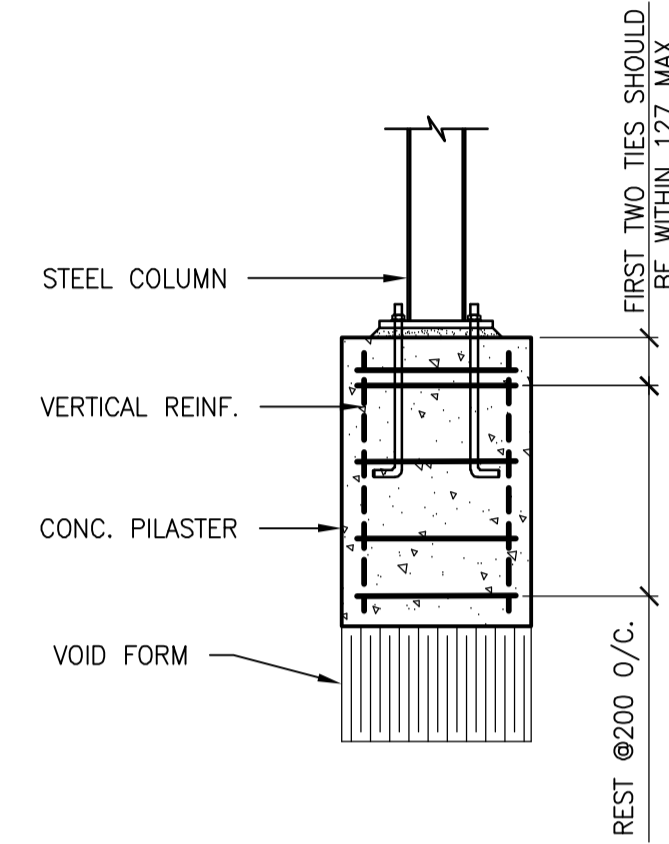


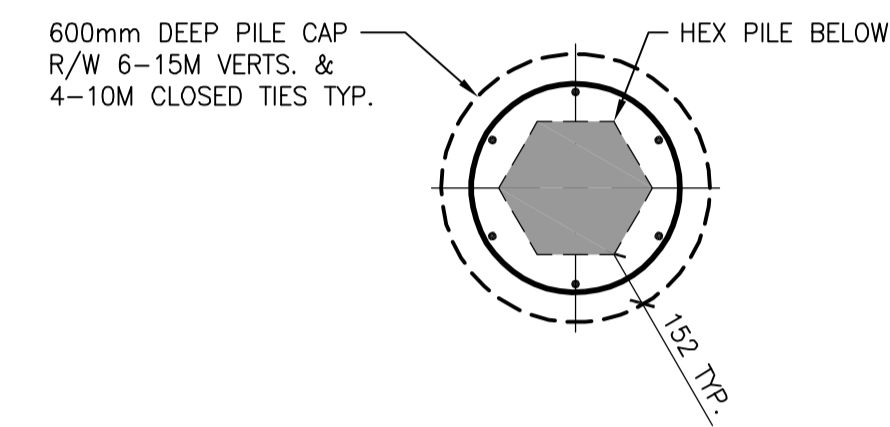
1 TYPICAL CORNER BAR DETAIL
S1.2 SCALE: 1:20



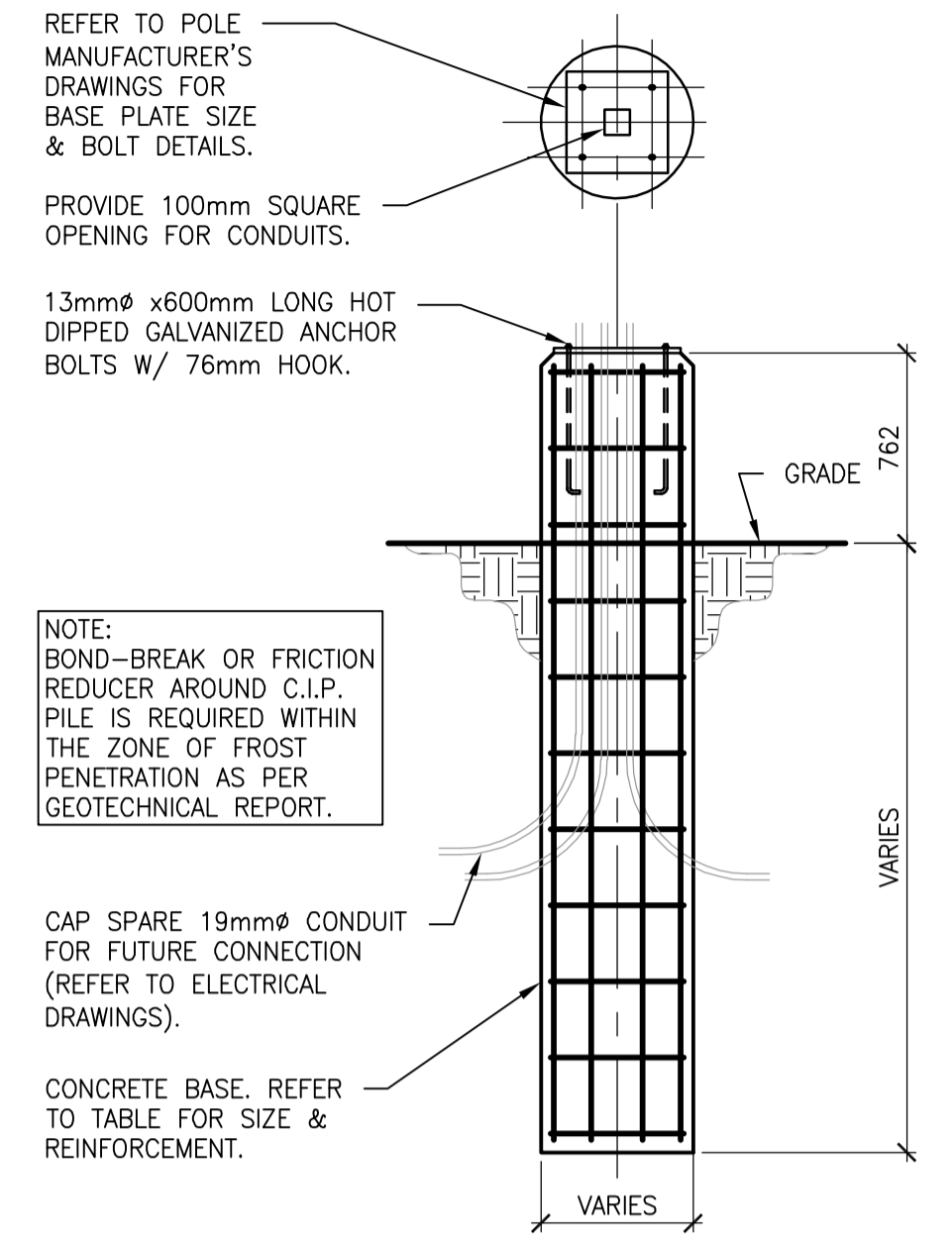
2 TYPICAL EXTERIOR CONCRETE PAD
S1.2 SCALE: 1:20



3 TYPICAL PILASTER REINFORCING
S1.2 SCALE: 1:20



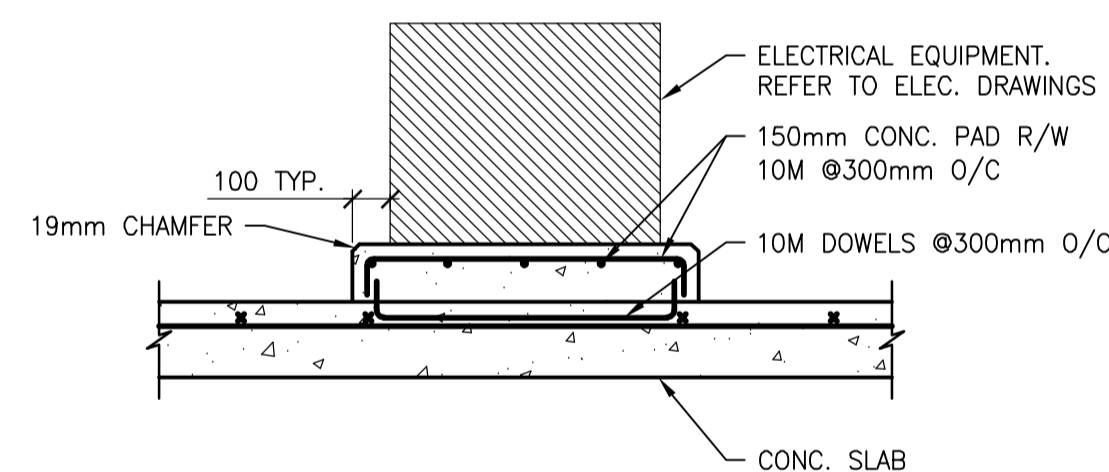
4 TYPICAL PILE CAP DETAIL
S1.2 SCALE: 1:20



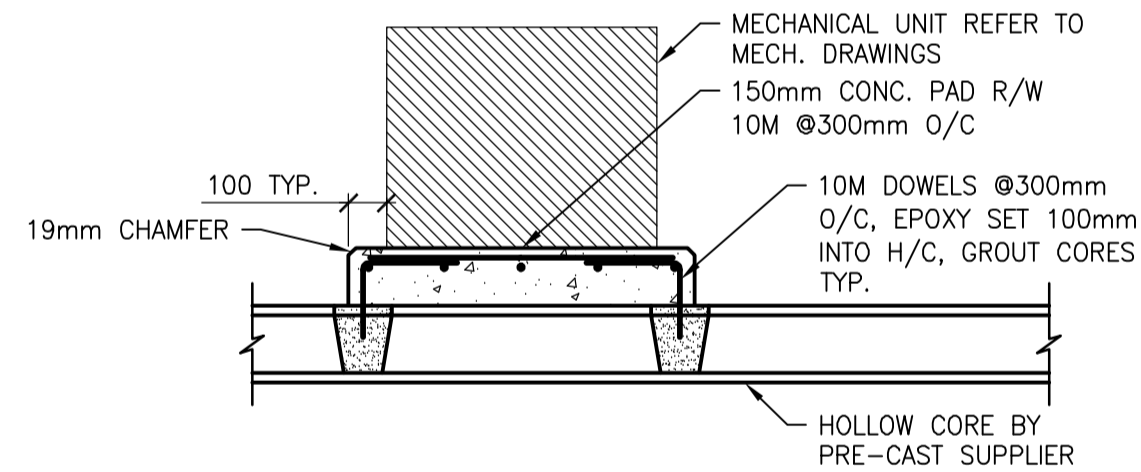
LAMP STANDARD BASES

POLE HT.	DIAMETER	DEPTH BELOW FINISH GRADE	REINFORCEMENT
TO 7600mm	600mm ϕ	1800mm	6-20M VERT. 10M TIES @300mm O/C
TO 9100mm	600mm ϕ	2400mm	10-20M VERT. 10M TIES @300mm O/C
TO 12200mm	600mm ϕ	3000mm	10-20M VERT. 10M TIES @300mm O/C

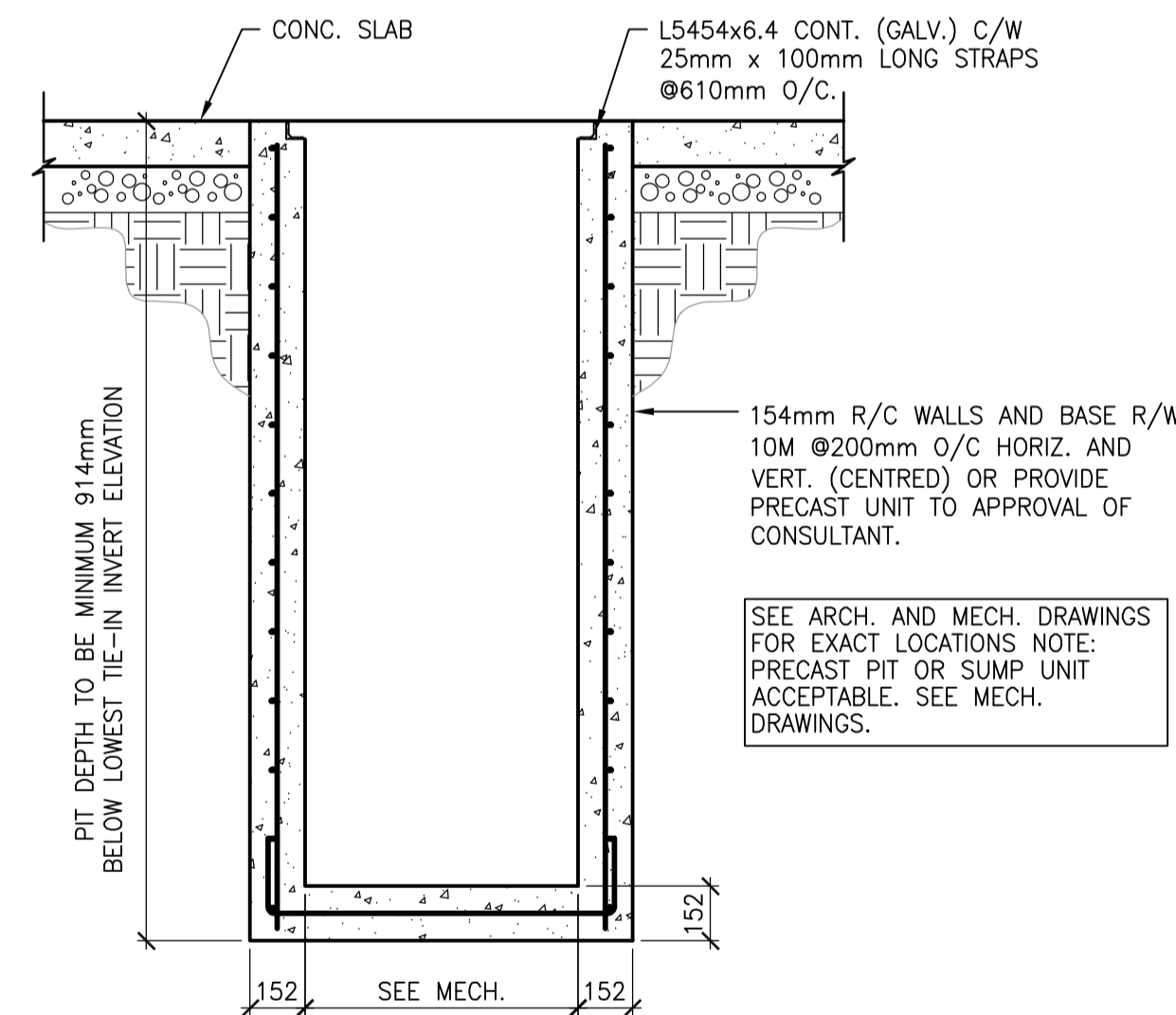
5 LAMP STANDARD DETAIL
S1.2 SCALE: 1:20



6 TYP. HOUSE KEEPING PAD DETAIL A
S1.2 SCALE: 1:20



7 TYP. HOUSE KEEPING PAD DETAIL B
S1.2 SCALE: 1:20



8 TYP. SUMP PIT DETAIL
S1.2 SCALE: 1:20

TOWER PROJECT NO. : 181335

TOWER ENGINEERING GROUP

UNIT 1-1140 WAVERLEY ST. WINNIPEG, MB R3T 0P4
TEL: (204) 925-1150 FAX: (204) 925-1155
EMAIL: towereng@towereng.ca WEB: www.towereng.ca

WINNIPEG • CALGARY

These design documents are prepared solely for the use by the party with whom the design professional has entered into a contract and there are no representations of any kind made by the design professional to any party with whom the design professional has not entered into a contract. Any use of the drawings, data or electronic data without the expressed written permission of Tower Engineering Inc. is strictly prohibited. The contractor is responsible to verify all dimensions with conditions on the site and report discrepancies to Tower Engineering for adjustment. All prints to be returned.

LM Architectural Group
www.lm-architects.com

4.	2019-07-08	Issued for Construction	LHT
4.	2019-06-26	Issued for 100% Pre-Tender Review	LHT
3.	2019-05-13	Issued for Pre-Tender Review	LHT
2.	2019-02-22	Design Development	LHT
1.	2018-12-17	Schematic Design Review	LHT

No. Date Issue / Revision By

Drawn By: BKF

Printing Date:

500-136 Market Ave
Winnipeg, Manitoba
Canada R3B 0P4
t: (204) 942.0661
f: (204) 943.8676

LM Architectural Group
www.lm-architects.com

APEGM
Certificate of Authorization
Tower Engineering Group
No. 4156 Expiry: April 30, 2020

PROFESSIONAL ENGINEER
Member SINCE 2004
2019-07-16

Drawings and specifications, as instruments of service are the property of the architects, the copyright in the same being reserved to them. No reproduction may be made without the permission of the architects, and when made, must bear their names. All prints to be returned.

The contractor is to verify dimensions and data noted herein with conditions on the site and is held responsible for reporting any discrepancy to the architects for adjustment.

Winnipeg

Bill and Helen Norrie Library

Project No.: 2017-082
Tender No.: 542-2019
Address: 15 Poseidon Bay, Winnipeg, MB.

Typical Details & Sections

Comm. No.: 1847

Sheet: **S1.2**