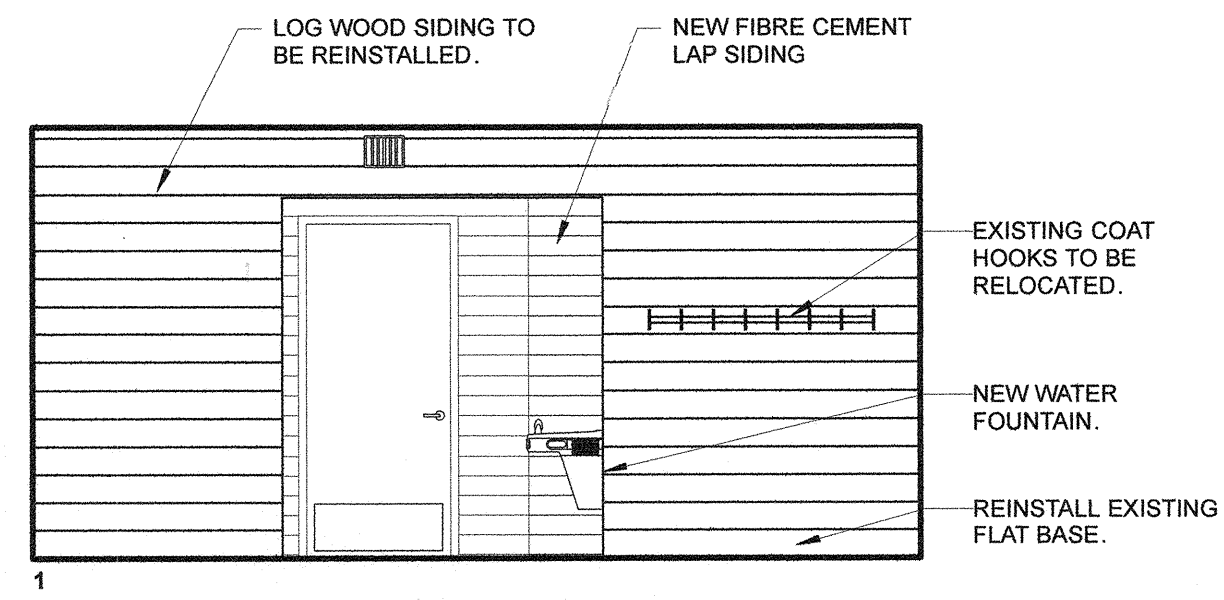
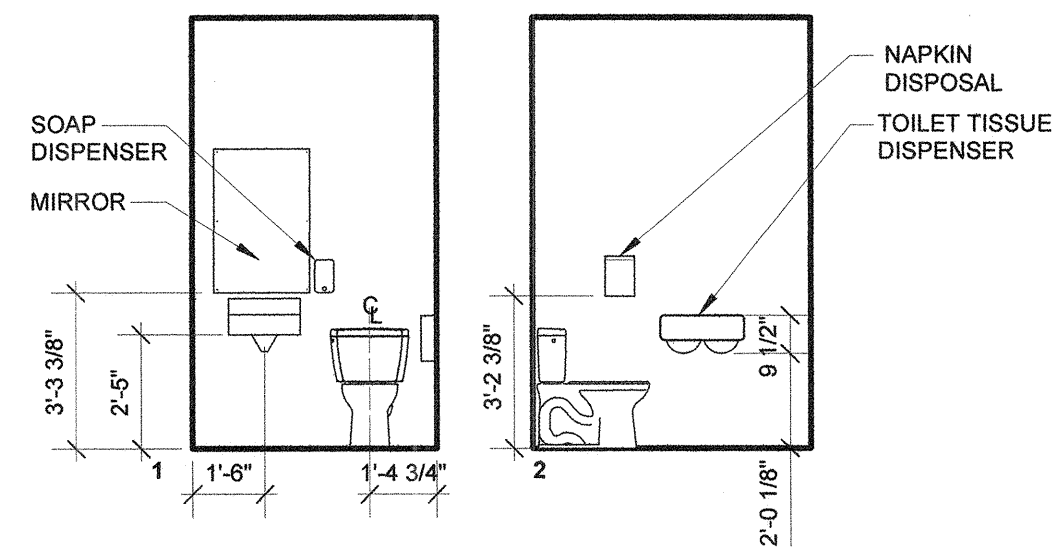


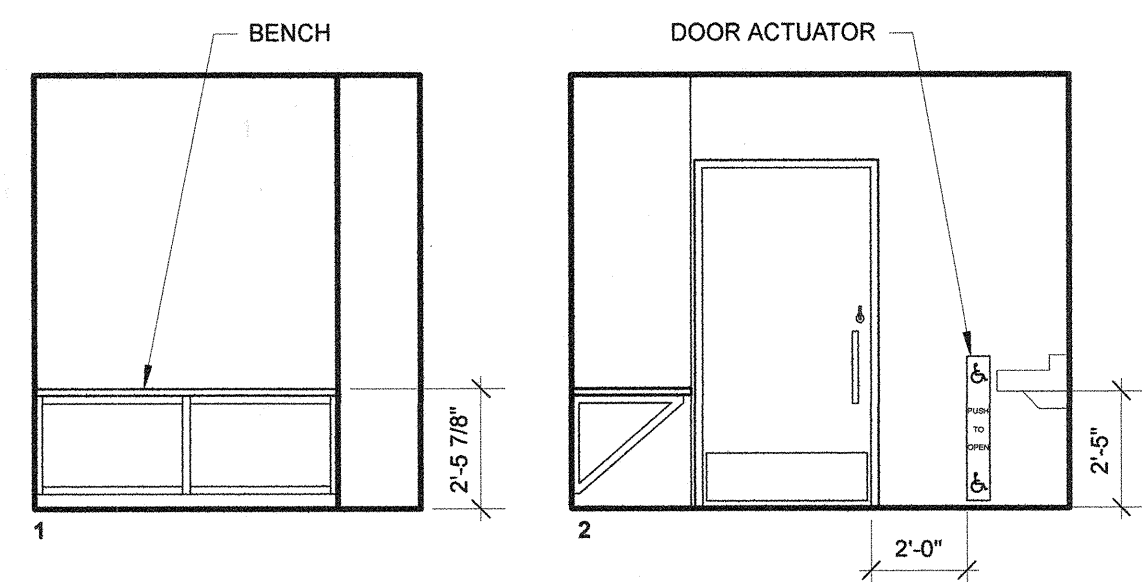
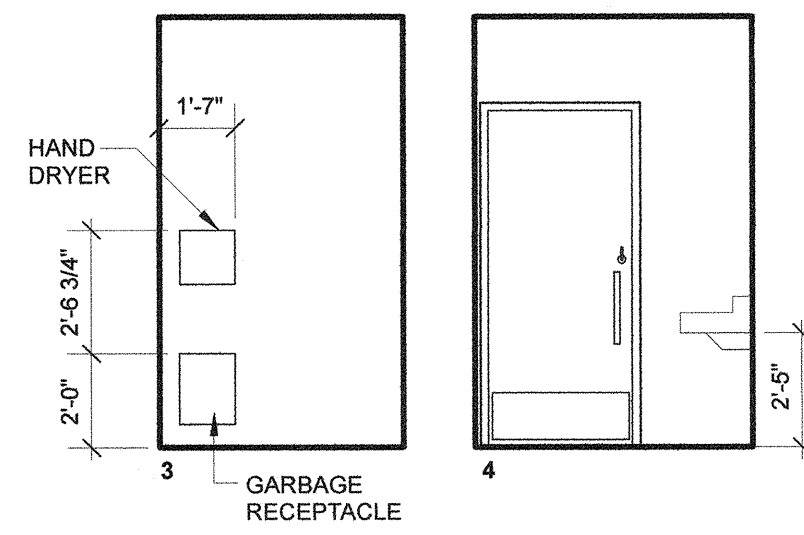
ALL DRAWINGS AND SPECIFICATIONS ARE THE PROPERTY OF THE CONSULTANT.  
 NO REPRODUCTIONS MAY BE MADE WITHOUT THE CONSENT OF THE CONSULTANT AND  
 ALL REPRODUCTIONS MUST BEAR THE NAME OF THE CONSULTANT.  
 THE CONTRACTOR SHALL VERIFY ALL DIMENSIONS, DATUMS AND LEVELS NOTED ON  
 THE DRAWINGS WITH THE CONDITIONS ON SITE AND SHALL BE RESPONSIBLE FOR  
 REPORTING ANY ERRORS OR OMISSIONS TO THE ENGINEER FOR ADJUSTMENTS.  
 THIS DRAWING SHALL NOT BE SCALED.



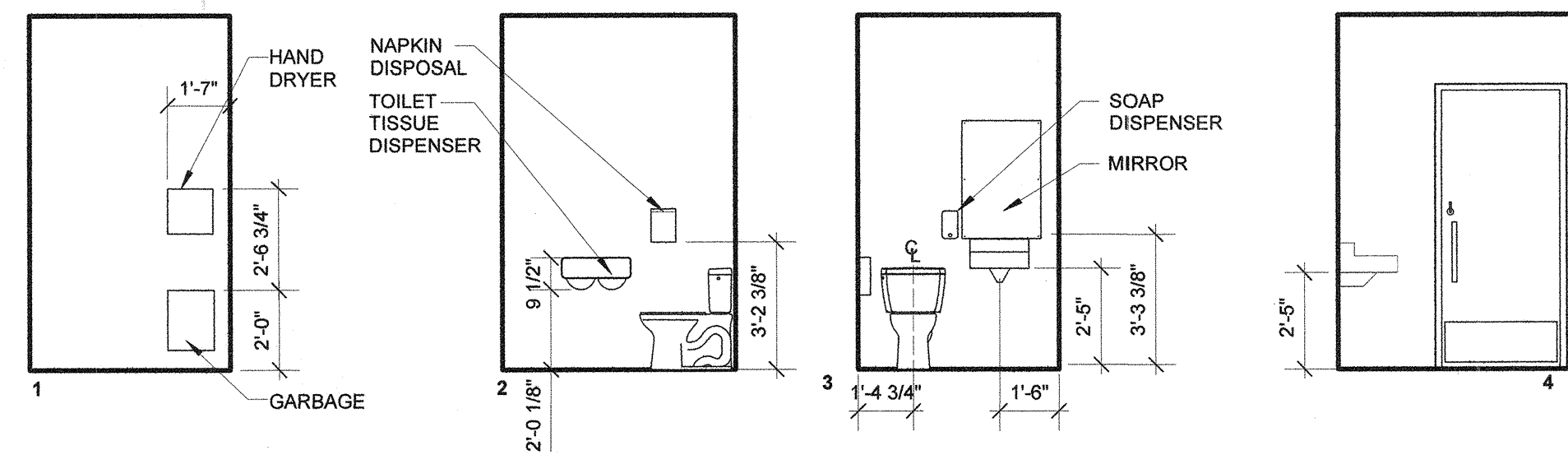
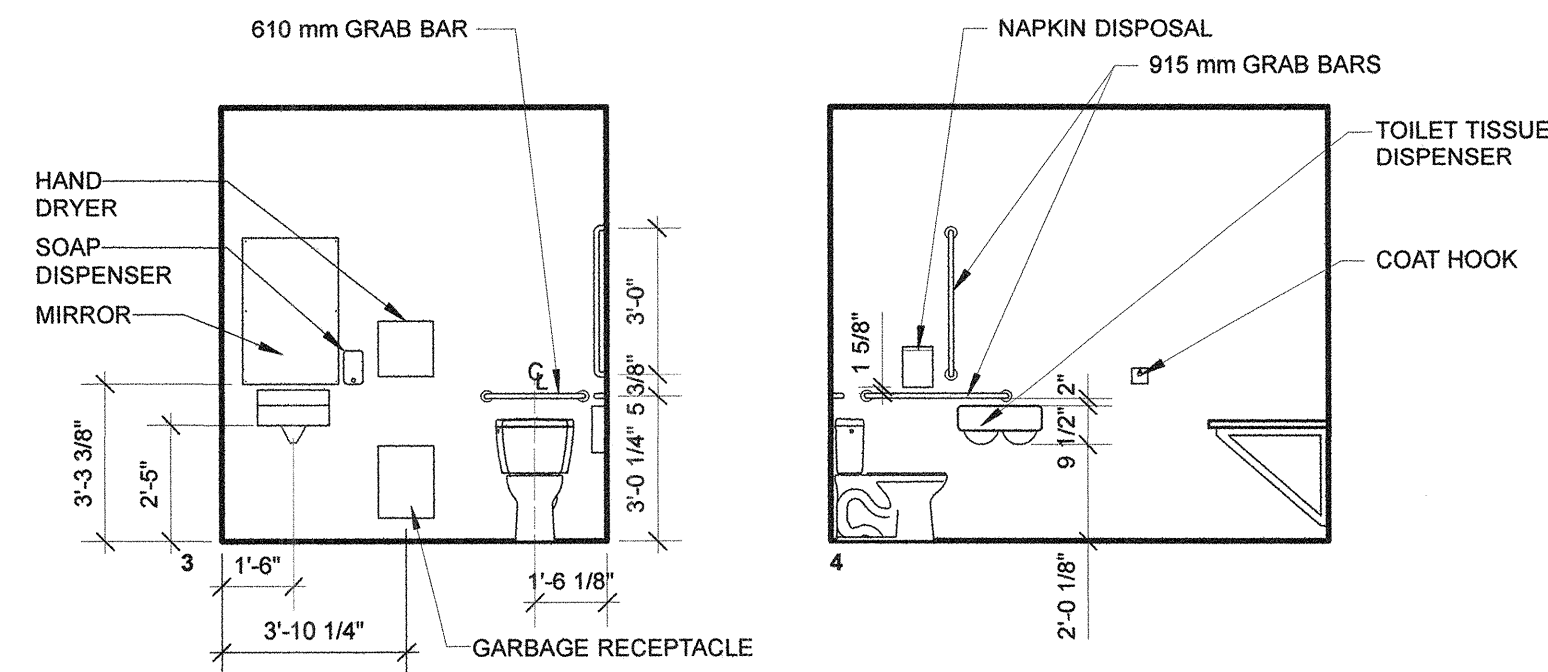
**1 101 - MULTI-PURPOSE ROOM**  
 SCALE: 1/4" = 1'-0"



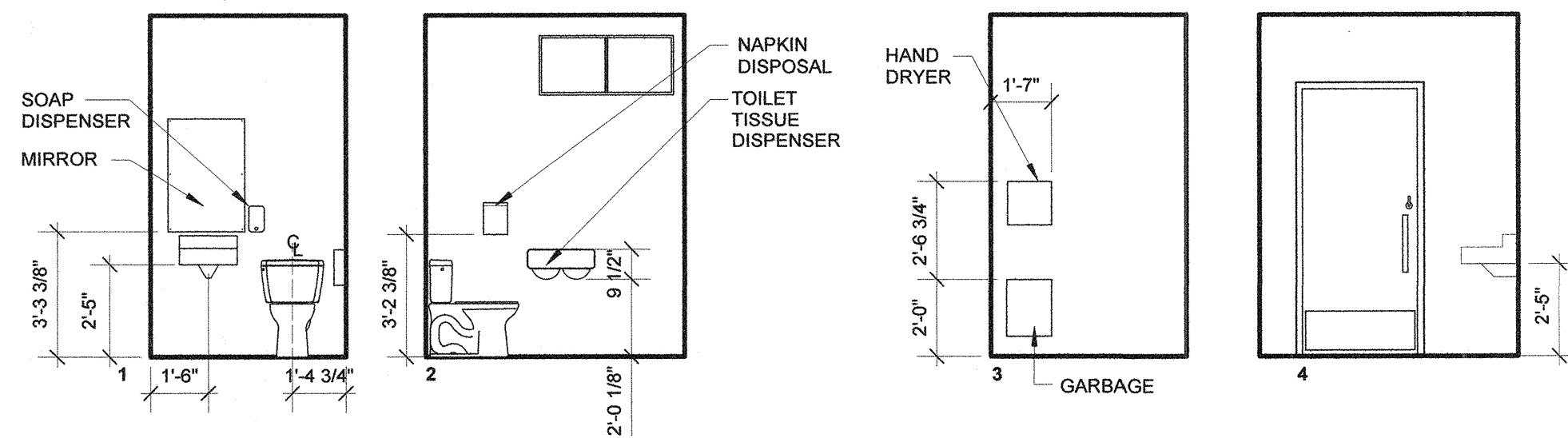
**2 108 - TOILET ROOM**  
 SCALE: 1/4" = 1'-0"



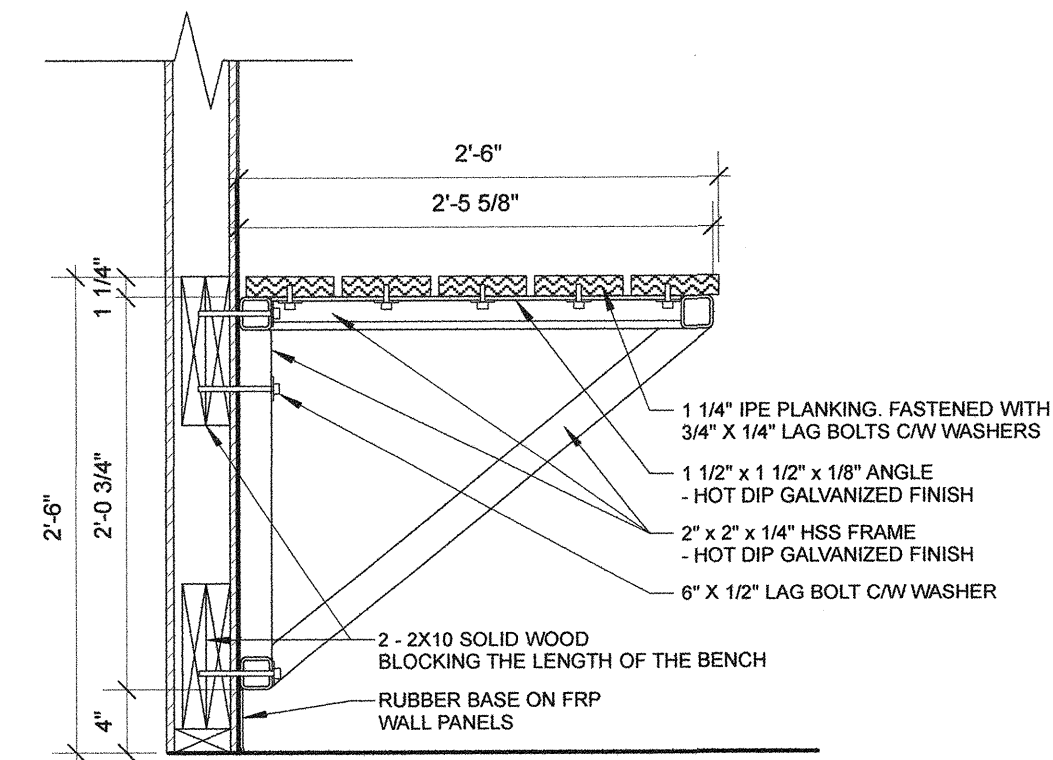
**3 102 - UNIVERSAL TOILET ROOM**  
 SCALE: 1/4" = 1'-0"



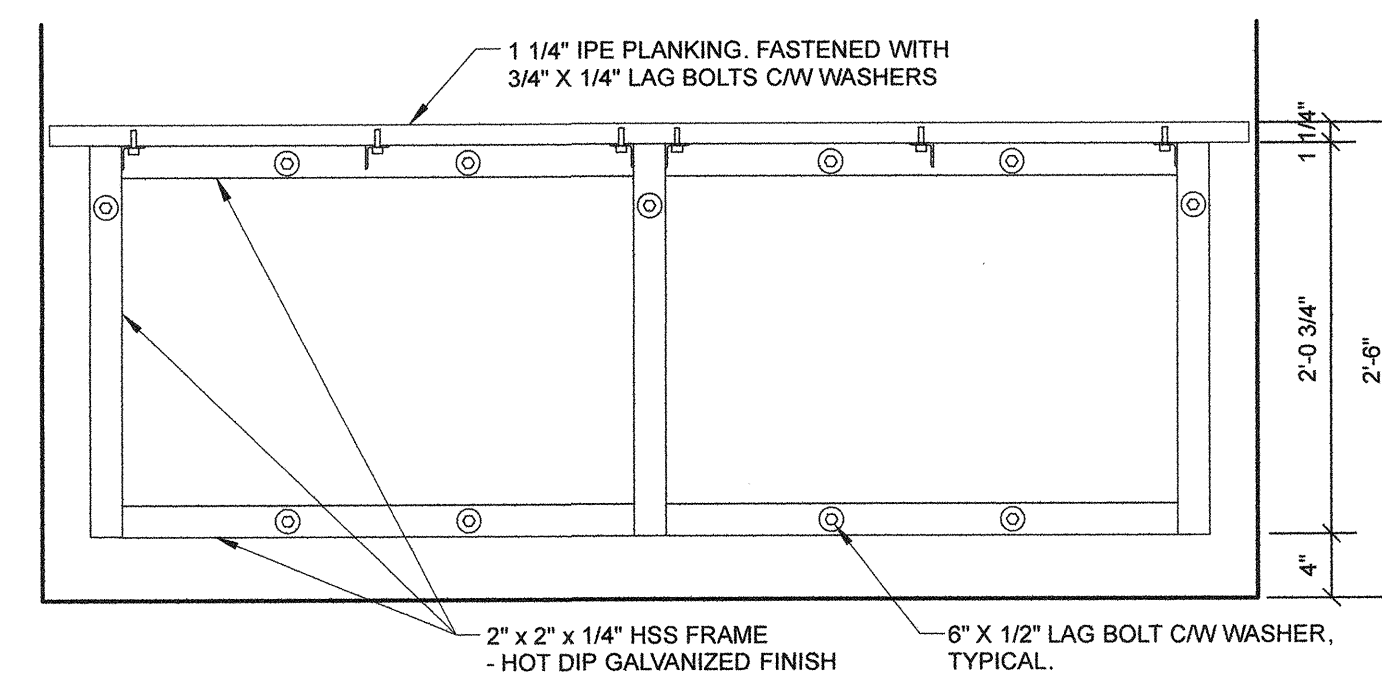
**4 107 - TOILET ROOM**  
 SCALE: 1/4" = 1'-0"



**5 106 - TOILET ROOM**  
 SCALE: 1/4" = 1'-0"



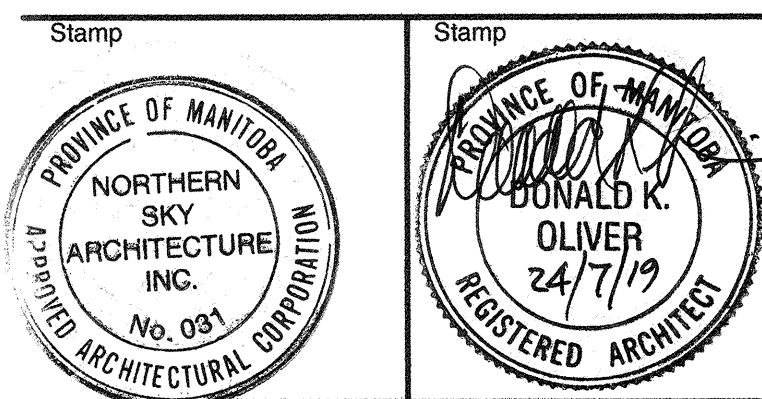
**5 102 - TOILET ROOM BENCH**  
 SCALE: 1/4" = 1'-0"



**7 102 - TOILET ROOM BENCH**  
 SCALE: 1/4" = 1'-0"



Revisions	
July 24, 2019	Issued for Construction
Date	Revision
Northern Sky Architecture Inc.	
100-158 James Avenue Winnipeg, Manitoba, Canada R3B 0G6 contact@nsa.ca Fax: 204.943.7019 204.943.6767	



Project  
 City of Winnipeg  
**Washroom/Change Building Renovations**  
 64093 Kimpke Road  
 R.M. Rosser, Manitoba

drawing title			
INTERIOR ELEVATIONS			
scale	as noted	designed by	kdw
date	July, 2019	drawn by	js
project no.	19.166	reviewed by	dko
reference no.	sheet	<b>A4.1</b>	REV.