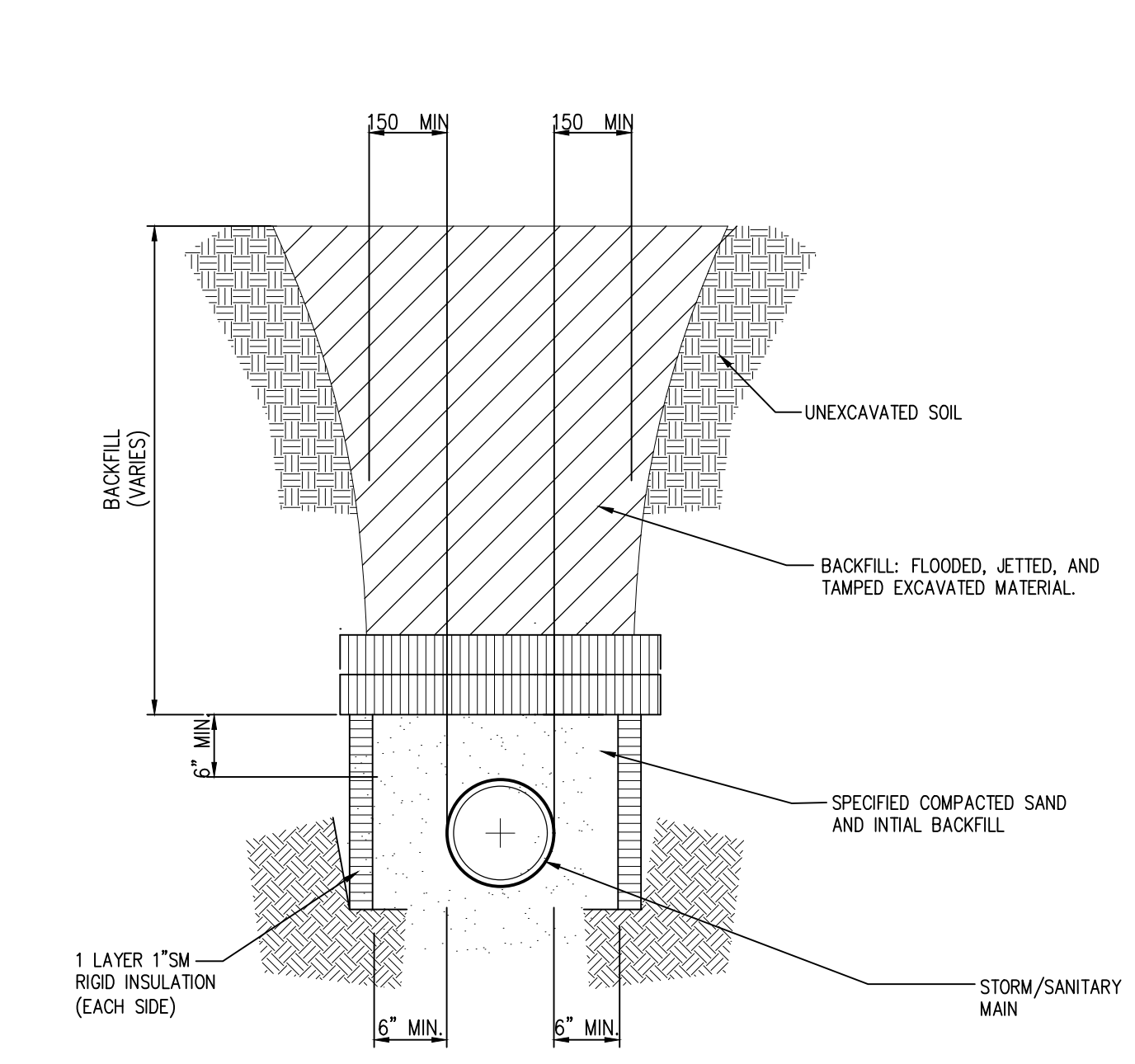


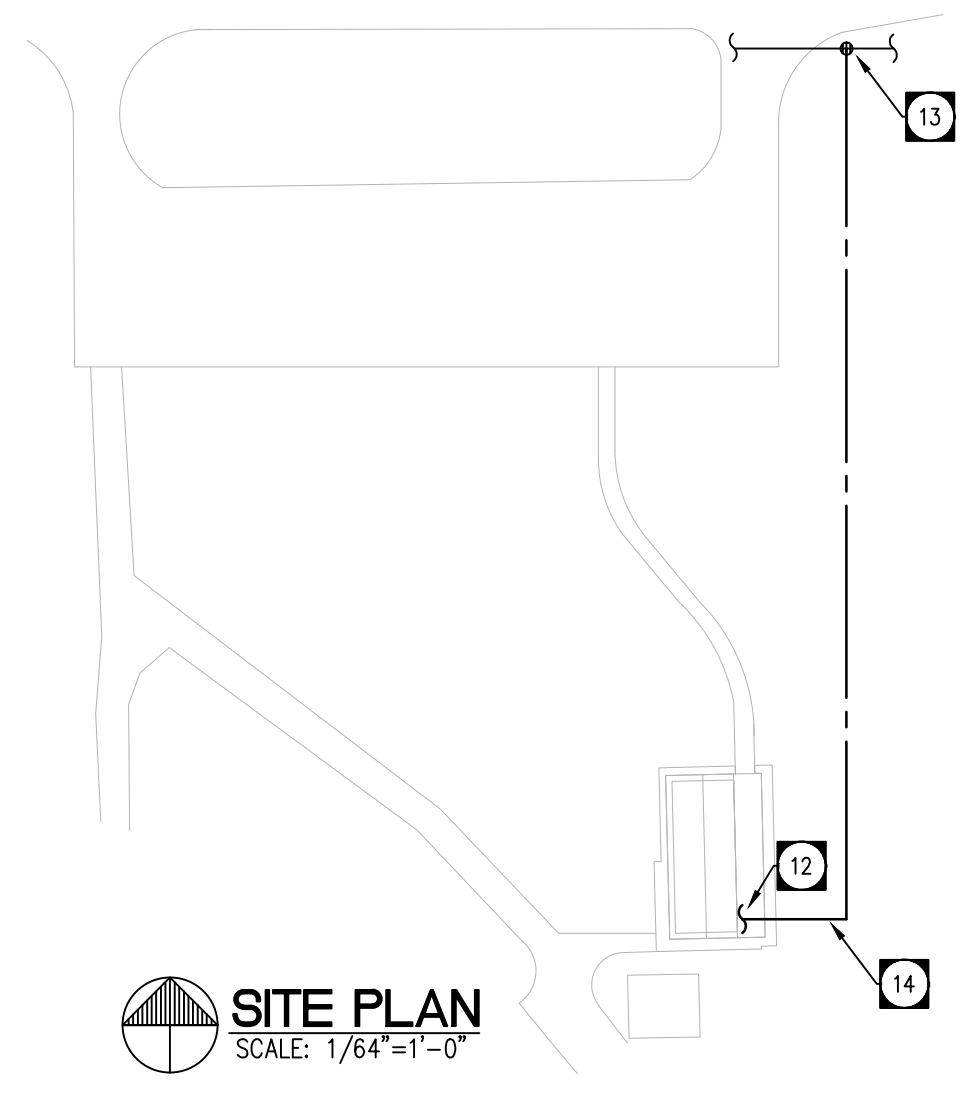
MAIN FLOOR PLAN - PLUMBING
SCALE: 1/8"=1'-0"



COMMON TRENCH INSTALLATION W/ INSULATION
N.T.S.

DRAWING NOTES - PLUMBING

- 1 SUPPLY AND INSTALL LAVATORY WITH WALL CARRIER. EXTEND 1/2" DCW AND 1/2" DHW PIPING DOWN WALL CAVITY FOR CONNECTION TO FIXTURE BRASS. C/W ISOLATION VALVES ON SUPPLY PIPING. CONNECT VENT ABOVE FLOOD LEVEL OF FIXTURE. REFER TO SPECIFICATION.
- 2 SUPPLY AND INSTALL TANK TYPE WATER CLOSET. EXTEND 1/2" NON-POTABLE WATER SUPPLY DOWN IN WALL CAVITY TO FLUSH TANK CONNECTION AT 6"± AFF. PROVIDE AVB ON SUPPLY TO EACH FIXTURE. CONFIRM HANDING ON SITE. REFER TO SPECIFICATION.
- 3 EXISTING HOT WATER TANK TO BE RELOCATED APPROXIMATELY AS SHOWN. COORDINATE EXACT LOCATION ON SITE.
- 4 EXISTING SEWER LINE TO SEWAGE HOLDING TANK TO REMAIN. COORDINATE EXACT LOCATION AND INVERT ON SITE.
- 5 VENT TO CONTINUE UP TO ROOF C/W INCREASER AT ROOF LINE. INSULATE VENT PIPING BACK 10'-0" FROM ROOF PENETRATION IN ALL DIRECTIONS.
- 6 EXISTING FLOOR DRAIN TO REMAIN. CONFIRM EXACT LOCATION ON SITE.
- 7 SUPPLY AND INSTALL DRINKING FOUNTAIN. EXTEND 1/2" DCW LINE DOWN TO FIXTURE CONNECTION. PROVIDE MIN. 1" AIR GAP ON INDIRECT WASTE CONNECTION. REFER TO SPECIFICATION.
- 8 SUPPLY AND INSTALL MOP SINK. PROVIDE 1/2" DCW AND 1/2" DHW PIPING DOWN TO FIXTURE BRASS MOUNTED ON WALL ABOVE FIXTURE. C/W DUAL CHECK VALVES. PROVIDE VACUUM BREAKER ON ALL HOSE END CONNECTIONS AND REDUCED PRESSURE BACKFLOW PREVENTER. REFER TO SPECIFICATION.
- 9 PROVIDE INCOMING WATER MAIN SERVICE TO RISE UP IN FROST BOX. PROVIDE WATER METER ASSEMBLY C/W BACKFLOW PREVENTION AS REQUIRED AND ISOLATION VALVES. INSTALLATION TO CONFORM TO CITY OF WINNIPEG STANDARDS. COORDINATE EXACT LOCATION ON SITE WITH OUTSIDE SERVICES CONTRACTOR.
- 10 SUPPLY AND INSTALL NON-FREEZE WALL HYDRANT. TO BE SURFACE MOUNTED FLUSH IN SINKING C/W ISOLATION VALVE. TO BE LOCATED IN PLACE OF EXISTING. REFER TO SPECIFICATION. COORDINATE INSTALLATION WITH GENERAL CONTRACTOR. REFER TO SPECIFICATION.
- 11 EXISTING WELL PUMP SYSTEM TO REMAIN FOR WATER CLOSET USE ONLY (NON-POTABLE LINES). COORDINATE EXACT CONNECTION SIZE AND LOCATION ON SITE.
- 12 PROVIDE SEPARATE PRICE FOR NEW 1 1/4" DOMESTIC WATER CONNECTION FROM CITY MAIN. COORDINATE EXACT LOCATION AND EXACT REQUIREMENTS ON SITE.
- 13 PROVIDE CONNECTION TO EXISTING MUNICIPAL WATER MAIN. RETAIN OUTSIDE SERVICES CONTRACTOR TO INSTALL NEW 1 1/4" WATER MAIN (SERVICE) IN TRENCH.
- 14 PROVIDE THRUST BLOCKS AT ALL CHANGES OF DIRECTION C/W RETENTION RODS.



SITE PLAN
SCALE: 1/64"=1'-0"

DOMESTIC WATER PIPING IS DIAGRAMMATIC ONLY. ALL DOMESTIC WATER PIPING TO BE PEX WITH SHUTOFF VALVES IN UTILITY ROOM.

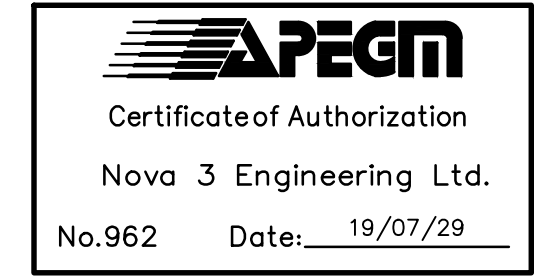
GENERAL NOTES - PLUMBING

1. MECHANICAL CONTRACTOR SHALL VERIFY EXACT LOCATIONS, SIZES, INVERTS, ETC. PRIOR TO COMMENCEMENT OF WORK. VERIFY ALL CONNECTION POINTS ON SITE.
2. MECHANICAL CONTRACTOR SHALL ALLOW IN HIS TENDER QUOTATION FOR ALL REQUIRED MODIFICATIONS TO EXISTING SYSTEMS (I.E.) RE-ROUTING OF EXISTING PIPING AS DEEMED NECESSARY DUE TO RENOVATION WORK.
3. REFER TO ARCHITECTURAL, ELECTRICAL & STRUCTURAL DRAWINGS FOR COORDINATION PURPOSES.
4. MECHANICAL CONTRACTOR SHALL CAREFULLY REMOVE & RELOCATE EXISTING EQUIPMENT AS PER CITY'S REQUIREMENTS.
5. ALL CUTTING & PATCHING OF FLOOR SLABS, WALLS ETC. TO BE PERFORMED BY GENERAL CONTRACTOR.
6. ALL VENT PIPING TO BE INSTALLED AS PER CODE.
7. PROVIDE ISOLATION VALVES ON ALL FIXTURES OR FIXTURE GROUP.
8. PROVIDE TRAP SEAL TO ALL FLOOR AND HUB DRAINS. WADE OR EQUAL.
9. PROVIDE AUTOMATIC AIR VENTS AT ALL HIGH POINTS OF SYSTEM.
10. ALL DOMESTIC WATER LINES TO BE INSULATED TO MANITOBA HYDRO POWER SMART REQUIREMENTS AND MANITOBA ENERGY CODE FOR BUILDINGS REQUIREMENTS.
11. ALL WORK SHALL COMPLY IN EVERY RESPECT WITH ALL NATIONAL, PROVINCIAL AND LOCAL CODES AND BY-LAWS, WHICH SHALL BE CONSIDERED PART OF THE SPECIFICATION. IN THE CASE OF CONFLICTING REQUIREMENTS, BE GOVERNED BY THE MOST STRINGENT REGULATIONS.
12. THE MECHANICAL CONTRACTOR SHALL INSTALL PLUMBING SYSTEMS IN COMPLETE ACCORDANCE WITH THE RECOMMENDATIONS OF THE NATIONAL/PROVINCIAL BUILDING CODE, LOCAL PLUMBING CODES, AND MANITOBA OFFICE OF THE FIRE COMMISSIONER REQUIREMENTS.
13. ALL INSULATING MATERIALS, METHODS, SIZES AND TYPES OF INSULATION FOR ALL PIPING SHALL BE INSTALLED TO THE REQUIREMENTS OF THE ASHRAE STANDARDS 90.1-2010 "ENERGY STANDARD FOR BUILDING EXCEPT LOW-RISE RESIDENTIAL BUILDINGS", STANDARD 90.2 "ENERGY EFFICIENT DESIGN OF LOW-RISE RESIDENTIAL BUILDINGS", THERMAL INSULATION ASSOCIATION OF CANADA (TIAC) STANDARDS, AND MANITOBA ENERGY CODE FOR BUILDINGS REQUIREMENTS.
14. PROVIDE DI-ELECTRIC COUPLINGS ON ALL PIPING CONNECTIONS TO HOT WATER TANKS.
15. PROVIDE APPROPRIATE FIRE-STOPPING MEASURES ON ALL PIPING PENETRATING FIRE SEPARATIONS. SUBMIT SHOP DRAWINGS FOR REVIEW. ACCEPTABLE PRODUCT: 3M, DOW, CORNING, AFS.
16. INSULATE VENT PIPING BACK 10'-0" (3.0 M) FROM ROOF PENETRATIONS IN ALL DIRECTIONS.
17. COORDINATE MOUNTING HEIGHT OF ALL FIXTURES ARCHITECTURAL ELEVATIONS.
18. ALL SANITARY WASTE, VENT PIPING, RAIN WATER PIPING, AND DOMESTIC WATER PIPING SHALL BE CAPABLE OF MEETING OR EXCEEDING THE FLAME SPREAD RATING OF 25 AND DEVELOPED SMOKE RATING OF 50, AND BE SUITABLE FOR INSTALLATION IN AIR PLENUMS.
19. ALL CONTROL / ELECTRICAL WIRING TO MEET FLAME SPREAD RATING OF 25, DEVELOPED SMOKE RATING OF 50 AND BE RATED FOR USE IN PLENUMS.
20. PLUMBING SIZING SHOWN IS BASED ON COPPER PIPING FOR DOMESTIC WATER, AND CAST IRON PIPING FOR SANITARY AND STORM. MECHANICAL CONTRACTOR IS RESPONSIBLE FOR COORDINATING REVISED PLUMBING SIZING WITH MANUFACTURER'S RECOMMENDATIONS AS REQUIRED WHEN USING ALTERNATE MATERIALS. SUBMIT TO CONTRACT ADMINISTRATOR FOR REVIEW PRIOR TO ORDERING MATERIALS.
21. ALL INSULATION AND COVERINGS SHALL MEET THE REQUIREMENTS OF CAN/ULC-S110 "TEST FOR AIR DUCTS" AND HAVE A FLAME SPREAD RATING NOT EXCEEDING 25 AND A SMOKE DEVELOPED CLASSIFICATION NOT EXCEEDING 50. THIS SHALL INCLUDE ALL TAPES, SEALANTS, AND MISCELLANEOUS PRODUCTS ASSOCIATED WITH THE INSTALLATION.
22. DOMESTIC WATER PLUMBING TO HANG FROM UNDERSIDE OF CEILING AT HIGH LEVEL. PROVIDE INSULATION SHIELDS ON HANGAR RODS.

LEGEND - PLUMBING

| | |
|--|---------------------------------|
| | SANITARY LINE ABOVE FLOOR/GRADE |
| | SANITARY LINE BELOW FLOOR/GRADE |
| | VENT LINE |
| | VENT LINE INSULATION |
| | PUMPED DISCHARGE LINE |
| | GAS LINE |
| | DOMESTIC COLD WATER (DCW) |
| | DOMESTIC HOT WATER (DHW) |
| | HOT WATER RECIRCULATION (DHW R) |
| | NON-POTABLE |
| | CLEANOUT |
| | FLOOR / HUB DRAIN |
| | PUMP |
| | SHUT-OFF VALVE |
| | BALL VALVE |
| | CHECK VALVE |
| | MANUAL BALANCING VALVE |
| | UNION |
| | STRAINER |
| | PIPE ANCHOR |
| | WALL HYDRANT |
| | PRESSURE GAUGE |
| | THERMOMETER |
| | DIRECTION OF FLOW |

ALL DRAWINGS AND SPECIFICATIONS ARE THE PROPERTY OF THE CONSULTANT. NO REPRODUCTIONS MAY BE MADE WITHOUT THE CONSENT OF THE CONSULTANT. ALL REPRODUCTIONS MUST BEAR THE NAME OF THE CONSULTANT. THE CONTRACTOR SHALL VERIFY ALL DIMENSIONS, DATUMS AND LEVELS NOTED ON THE DRAWINGS, WITH THE CONDITIONS ON SITE AND SHALL BE RESPONSIBLE FOR REPORTING ANY ERRORS OR OMISSIONS TO THE ENGINEER FOR ADJUSTMENTS. THIS DRAWING SHALL NOT BE SCALED.



ISSUED FOR CONSTRUCTION

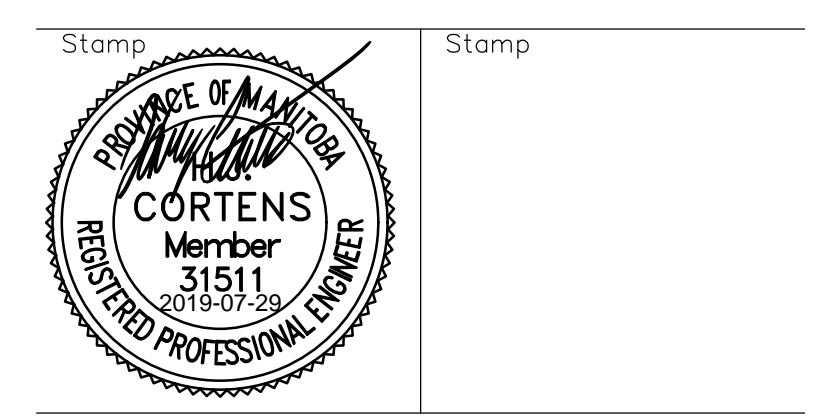
NOVA 3 ENGINEERING LTD.
PROFESSIONAL ENGINEERS
201-120 FORT STREET TEL: (204) 943-6142
WINNIPEG, MANITOBA R3C 1C7 FAX: (204) 942-1276
WWW.NOVA3.CA EN: 35-078
THIS DRAWING IS THE EXCLUSIVE PROPERTY OF NOVA 3 ENGINEERING LTD. AND MAY NOT BE REPRODUCED WITH THE WRITTEN PERMISSION OF NOVA 3 ENGINEERING LTD.
THE CONCEPT AND DESIGN INCORPORATED INTO THIS DRAWING ARE BASED ON INFORMATION PROVIDED BY THE CLIENT AND OTHER RELATED SOURCES. PROFESSIONAL ENGINEER ACCEPTS NO RESPONSIBILITY FOR DRAWING AND DESIGN UNLESS DRAWING IS ACCOMPANIED BY ORIGINAL SEALED LETTER OF INTENT OR EQUIVALENT ACCEPTABLE FACSIMILE. PROFESSIONAL ENGINEER ACCEPTS NO RESPONSIBILITY FOR FINAL INSTALLATION PERFORMANCE WITHOUT ORIGINAL SEALED CERTIFICATE OF INSPECTION OR EQUIVALENT ACCEPTABLE FACSIMILE.

Revisions

| | |
|----------|---|
| 19/07/29 | Issued for Tender, Permit, and Construction |
| Date | Revision |

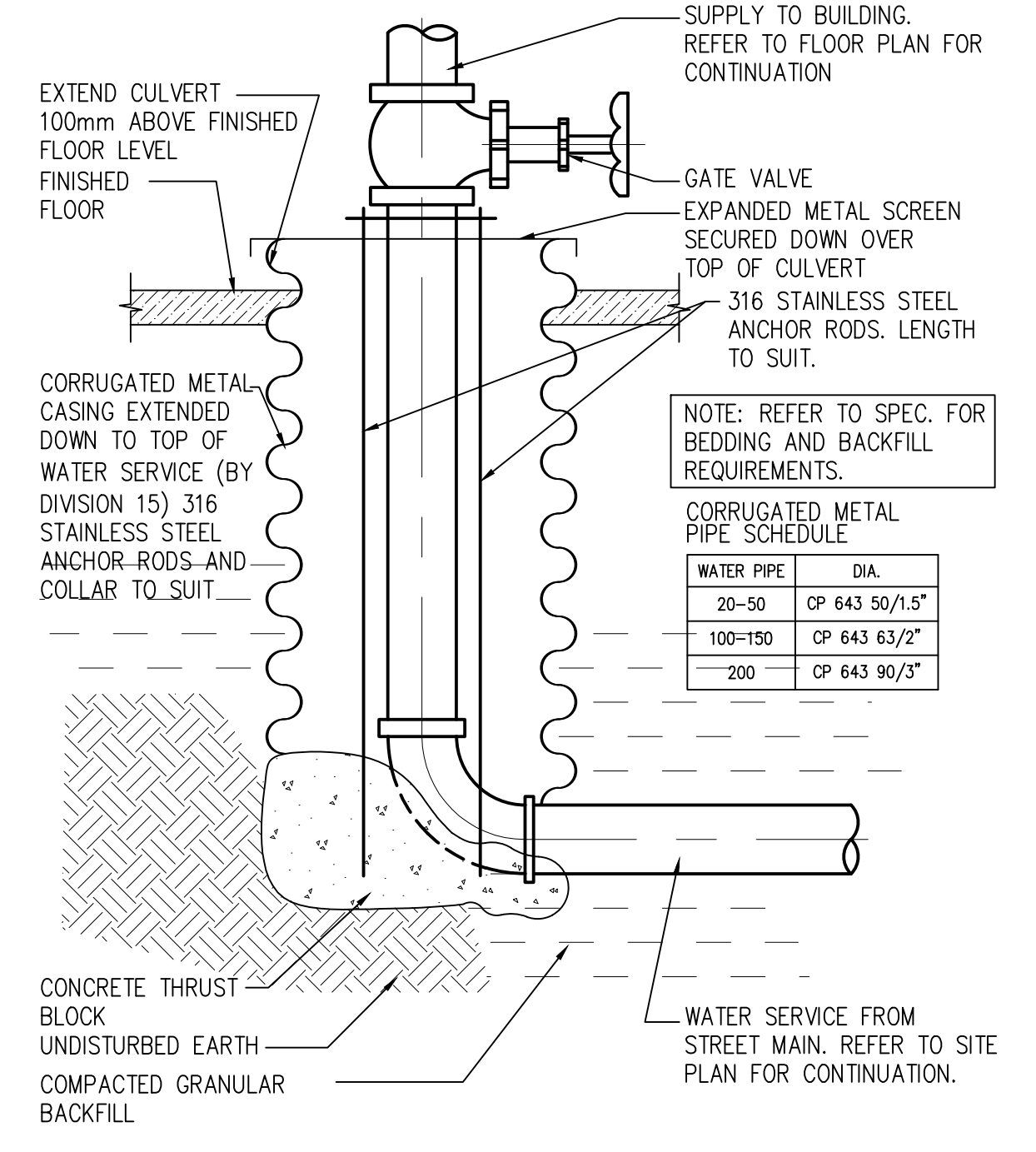
Northern Sky Architecture Inc.

100-128 James Avenue
Winnipeg, Manitoba, Canada
R3B 0W7
contact@nsa.ca
Tel: 204.958.7979
Fax: 204.958.7979
204.943.6767



Project City of Winnipeg
Little Mountain Park
Washroom/Change Building
64093 Klimpke Road
Winnipeg, Manitoba

| | |
|---------------|-------------------------------------|
| drawing title | MECHANICAL MAIN FLOOR PLAN PLUMBING |
| scale | As Noted designed by HC |
| date | JULY, 2019 drawn by HC |
| project no. | 19.166 reviewed by JHG |
| reference no. | sheet M2.0 REV. |



WATER SERVICE AND FROST BOX DETAIL
N.T.S.

NOTE: REFER TO SPEC. FOR BEDDING AND BACKFILL REQUIREMENTS.

| WATER PIPE | DIA. |
|------------|----------------|
| 20-50 | CP 643 50/1.5" |
| 100-150 | CP 643 63/2" |
| 200 | CP 643 90/3" |