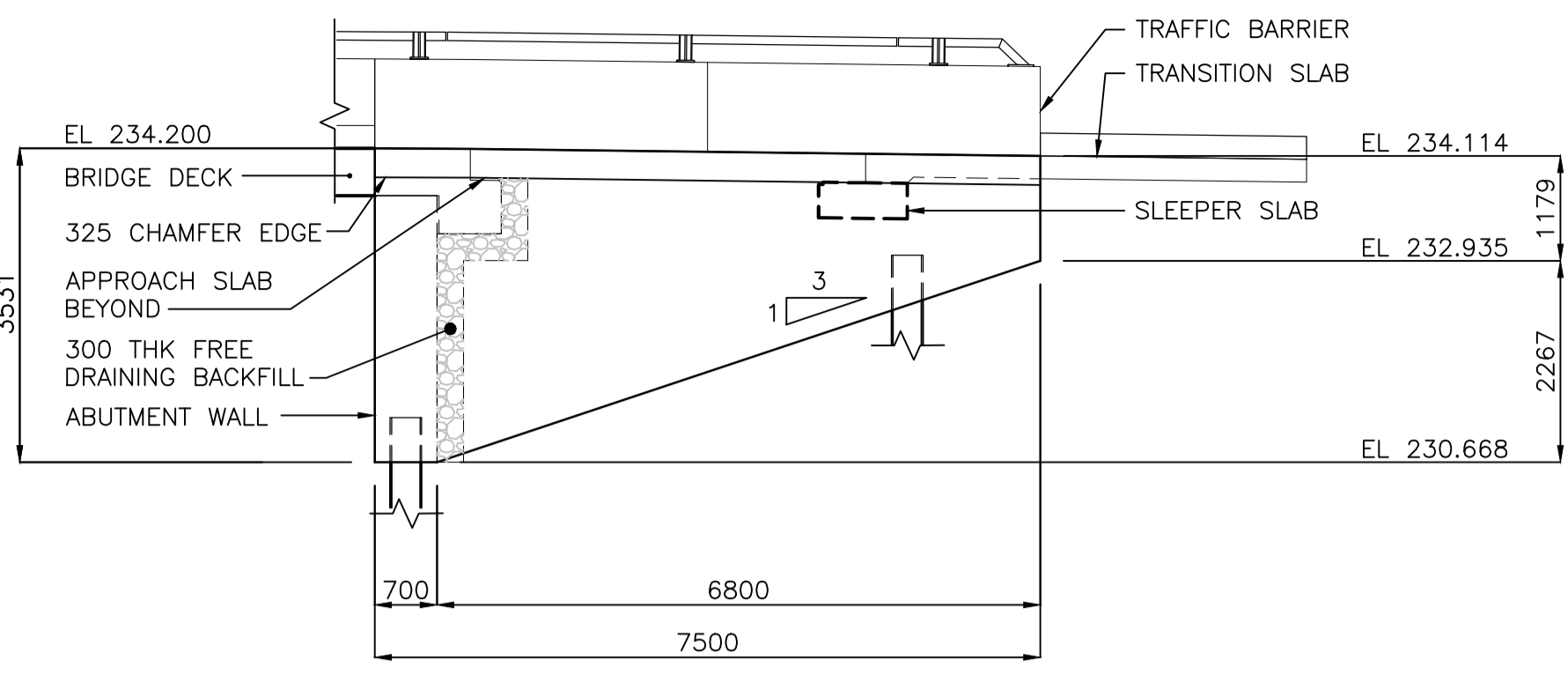
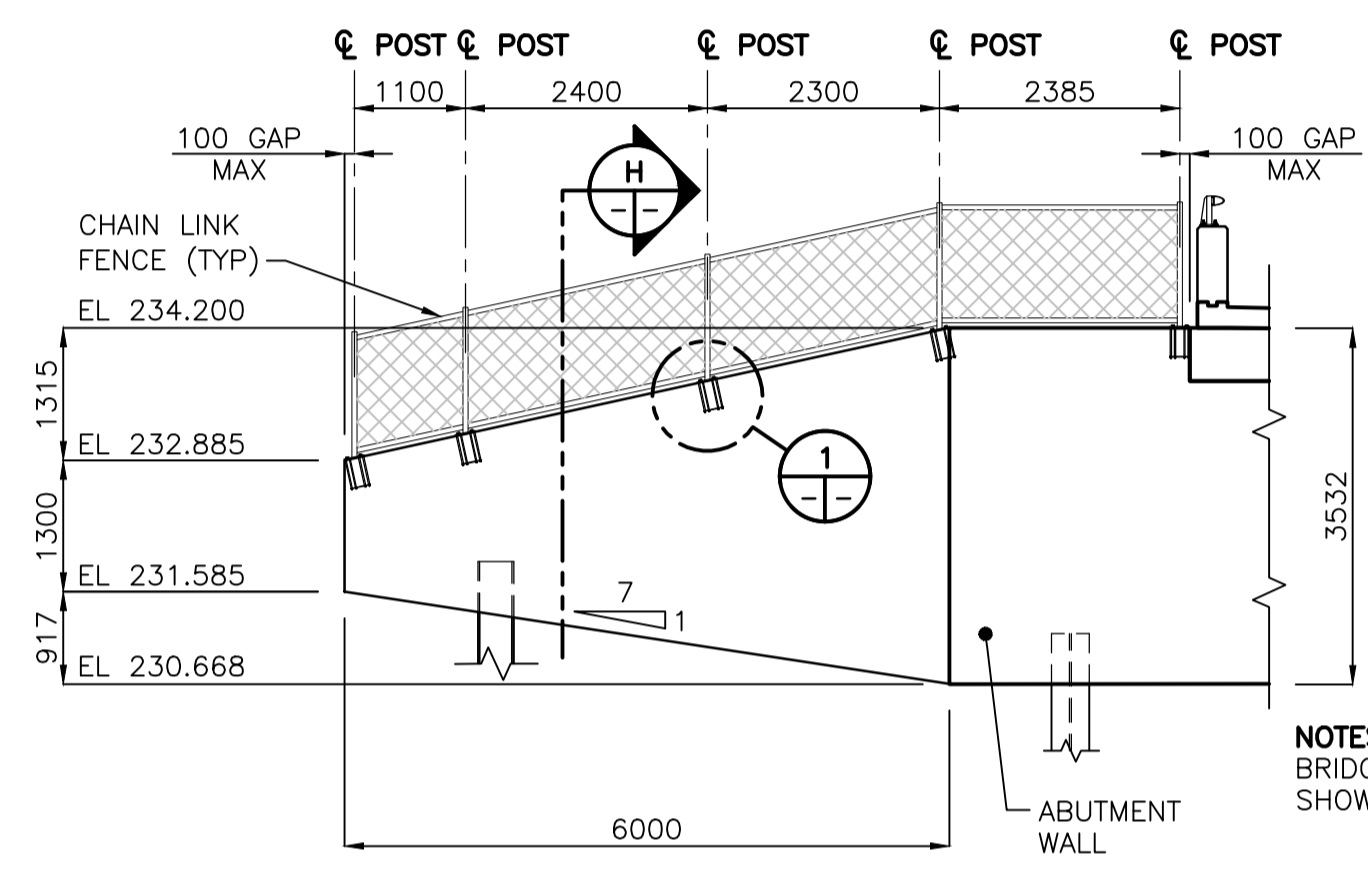


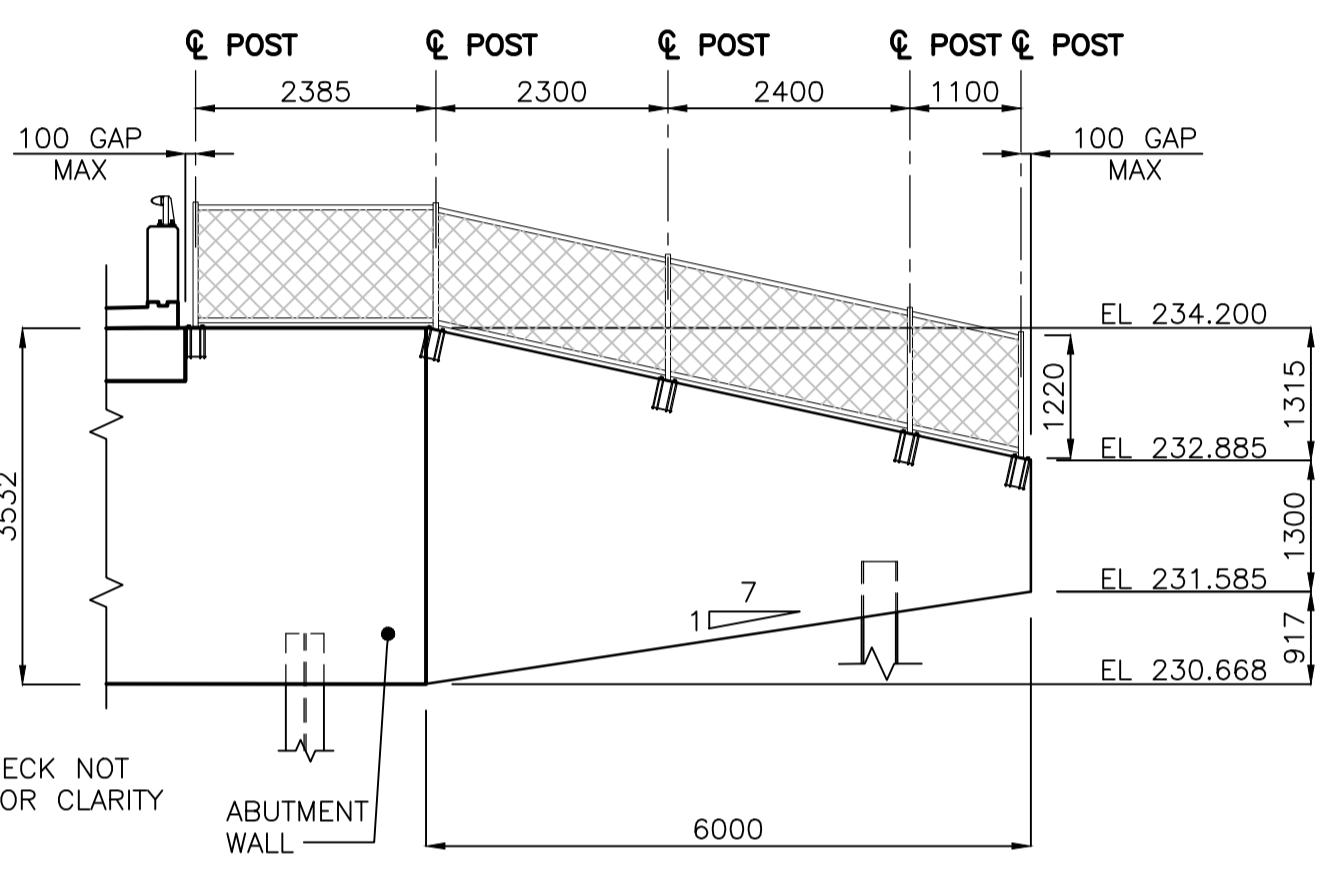
**A NE WINGWALL ELEVATION**  
7/8 1:75



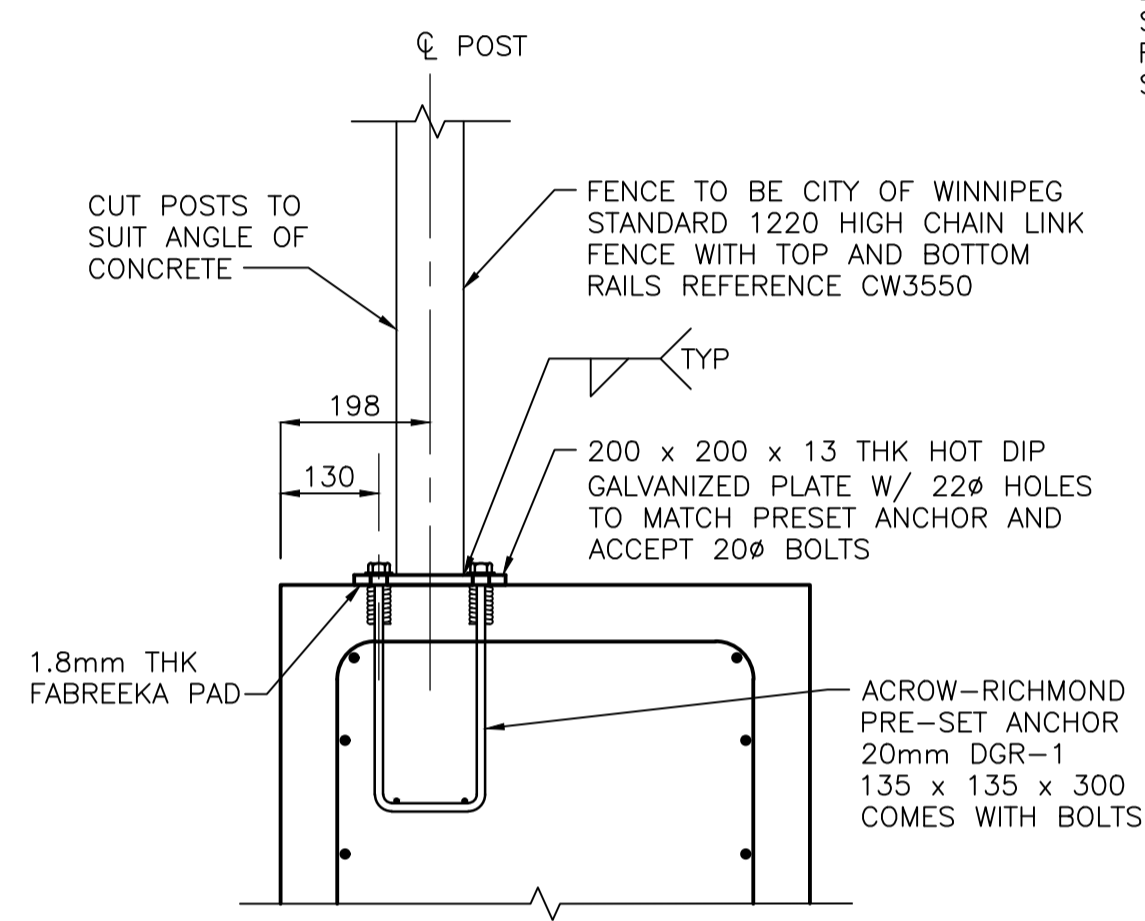
**B NW WINGWALL ELEVATION**  
7/8 1:75



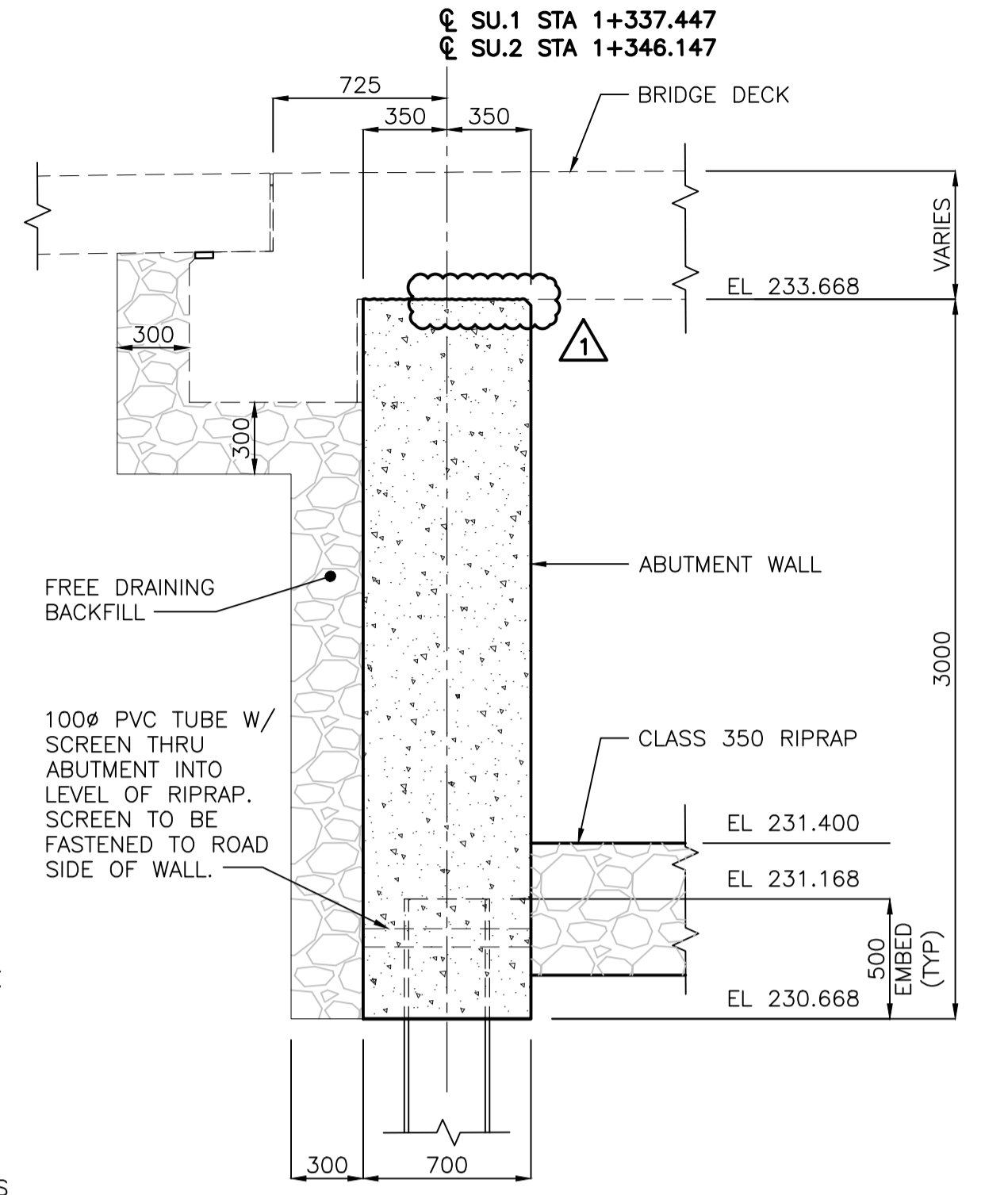
**C SW WINGWALL ELEVATION**  
7/8 1:75



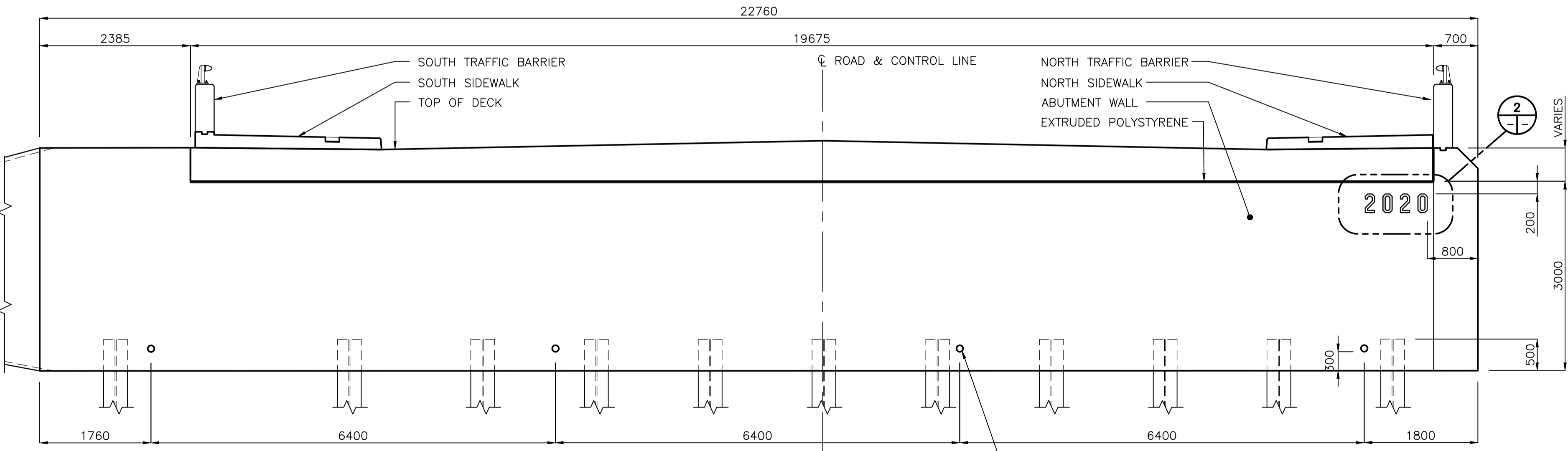
**D SE WINGWALL ELEVATION**  
7/8 1:75



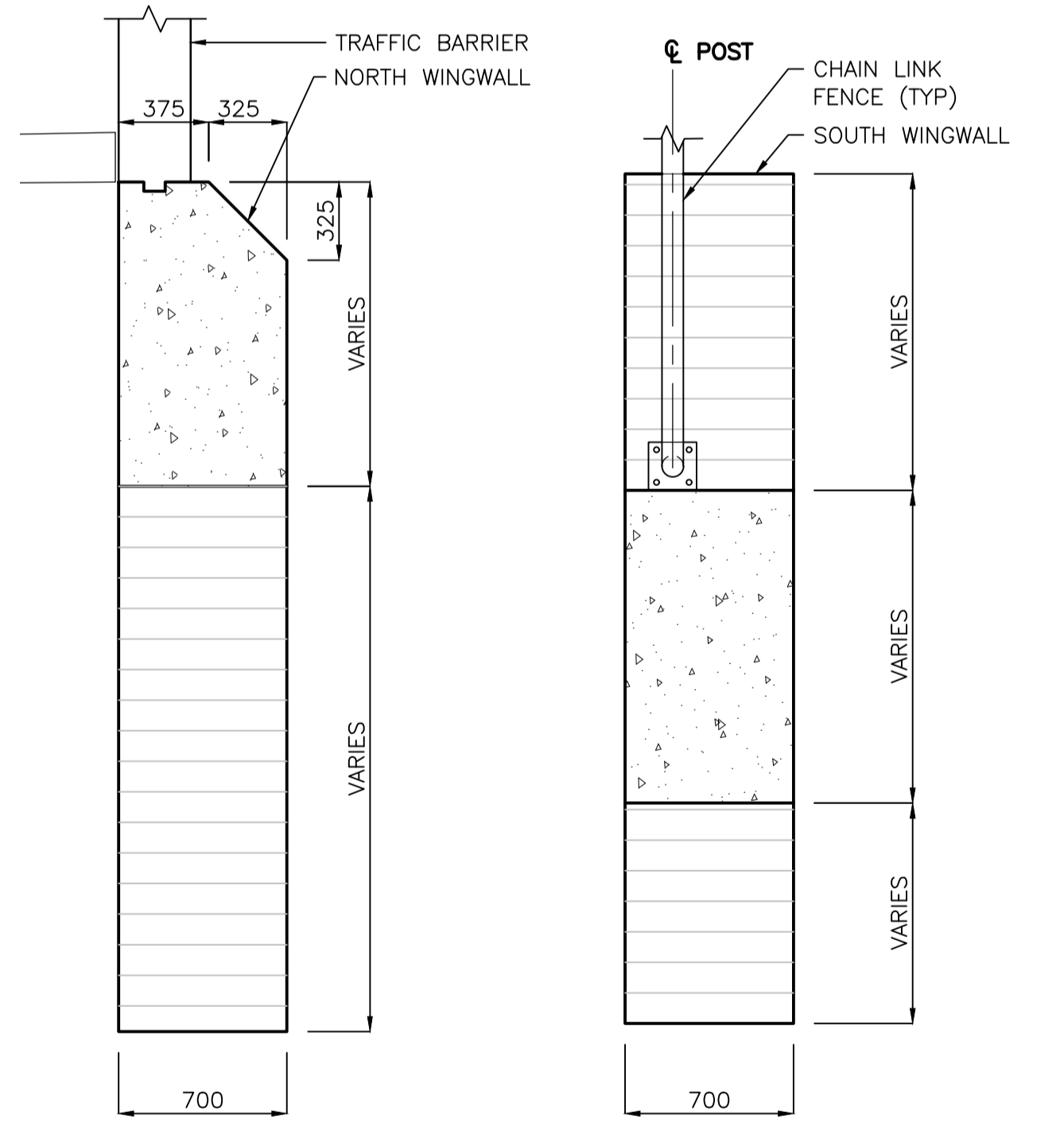
**1 DETAIL**  
1:10



**E SECTION**  
7/8 1:25

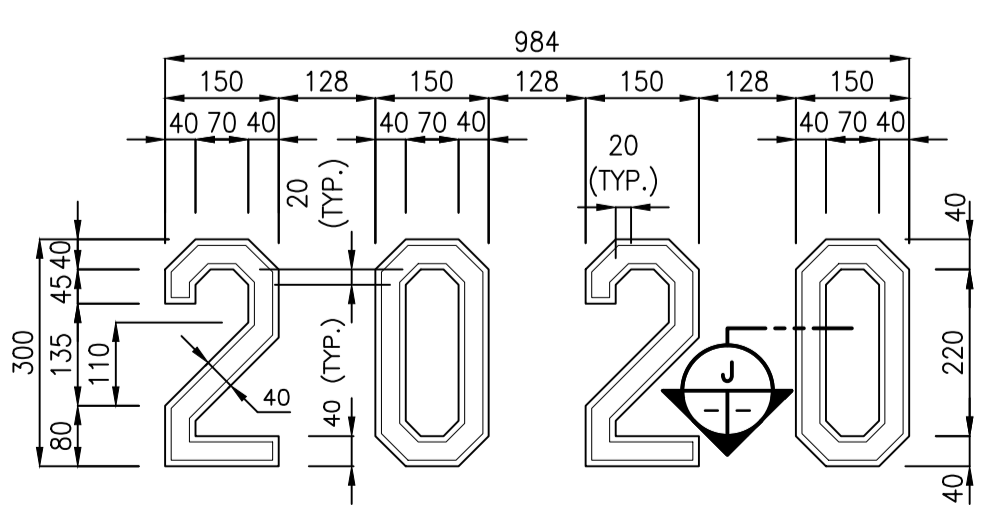


**F ABUTMENT ELEVATION**  
7/8 1:50

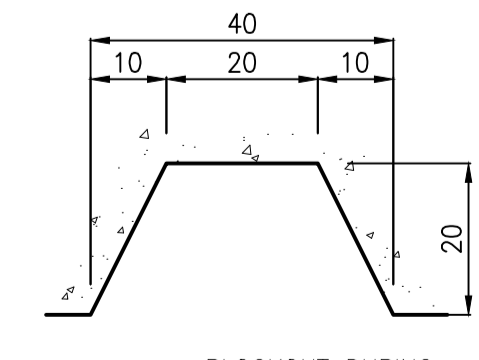


**G SECTION**  
1:25

**H SECTION**  
1:25



**2 DETAIL - DATE MARKER**  
1:10



**J SECTION**  
1:1



**METRIC**  
WHOLE NUMBERS INDICATE MILLIMETRES  
DECIMALIZED NUMBERS INDICATE METRES

**LOCATION APPROVED UNDERGROUND STRUCTURES**  
SUPV. U/G STRUCTURES COMMITTEE DATE  
NOTE: LOCATION OF UNDERGROUND STRUCTURES AS SHOWN ARE BASED ON THE BEST INFORMATION AVAILABLE BUT NO GUARANTEE IS GIVEN THAT ALL EXISTING UTILITIES ARE SHOWN OR THAT THE GIVEN LOCATIONS ARE EXACT. CONFIRMATION OF EXISTENCE AND EXACT LOCATION OF ALL SERVICES MUST BE OBTAINED FROM THE INDIVIDUAL UTILITIES BEFORE PROCEEDING WITH CONSTRUCTION.

NO.	REVISIONS	DATE	BY
1	ISSUED FOR ADDENDUM 1	19.10.17	J.H.
0	ISSUED FOR TENDER	19.09.18	J.M.B.

<b>Stantec</b> 500 - 311 Portage Avenue, Winnipeg MB Canada www.stantec.com	
DESIGNED BY: H.M.V.	CHECKED BY: C.D.
DRAWN BY: J.M.B.	APPROVED BY: K.S.A.
HOR. SCALE: 1:75 OR VERTICAL: AS NOTED	RELEASED FOR CONSTRUCTION: DATE
DATE: 2019.10.17	DATE

ENGINEER'S SEAL  
**TENDER DRAWING**  
NOT TO BE USED FOR CONSTRUCTION  
CONSULTANT DRAWING NO. S-105

**THE CITY OF WINNIPEG PUBLIC WORKS DEPARTMENT ENGINEERING DIVISION**

DUBLIN AVENUE BRIDGE REPLACEMENT  
PROPOSED BRIDGE STRUCTURE  
SUBSTRUCTURE SECTIONS & DETAILS

SHEET 8 OF 48
CAD FILE DRAWING NUMBER 33340s-105-926.dwg
CITY DRAWING NUMBER B105-19-8