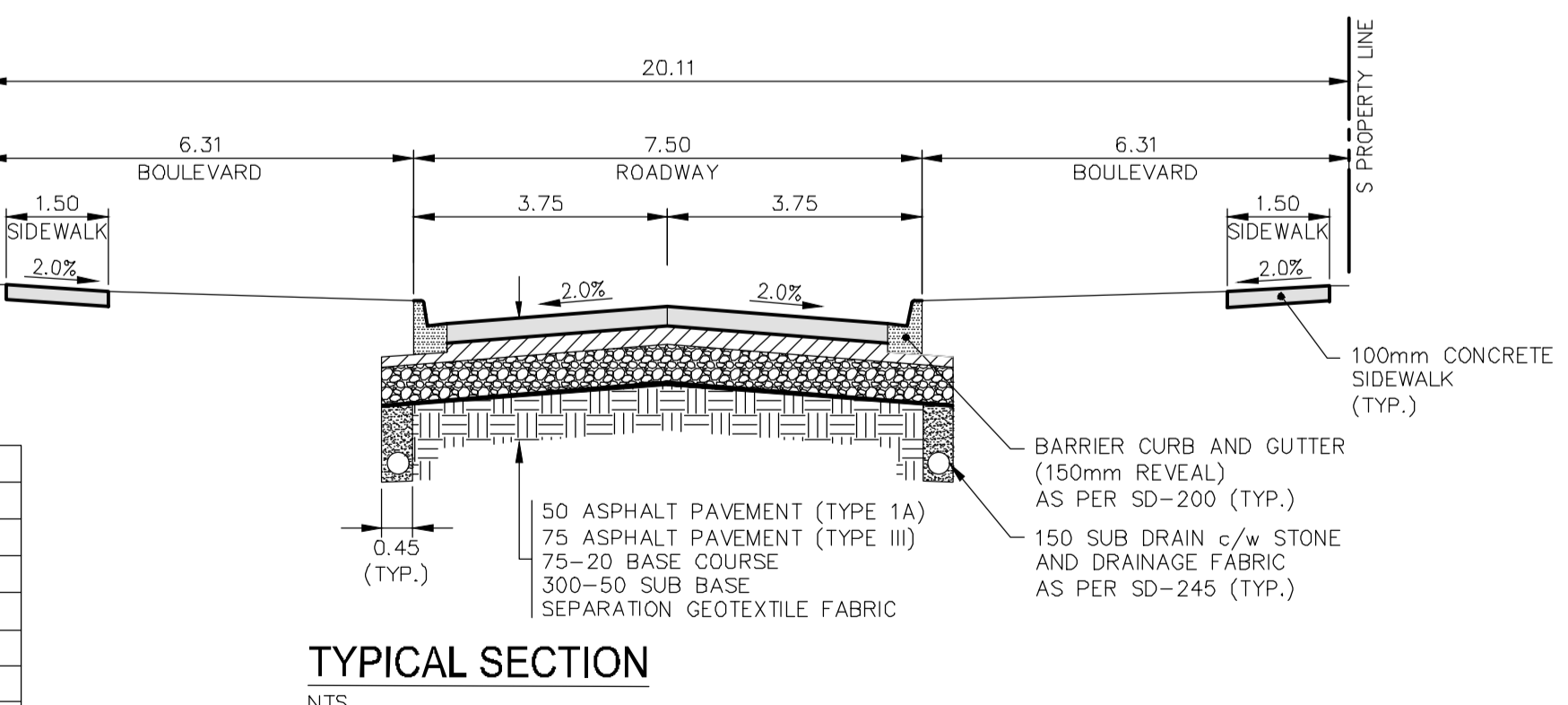


- NOTES:**
1. ALL WORK AND MATERIALS TO BE IN ACCORDANCE WITH THE LATEST REVISION OF THE CITY OF WINNIPEG STANDARD CONSTRUCTION SPECIFICATIONS.
 2. CONTRACTOR TO CONFIRM THE LOCATION OF ALL UTILITIES/SERVICES IN THE FIELD PRIOR TO CONSTRUCTION.
 3. ALL ROADWAY DIMENSIONS SHOWN ARE TO BACK OF CURB.
 4. RENEW CURB AND SIDEWALK AS IDENTIFIED BY CONTRACT ADMINISTRATOR.
 5. ALL PRIVATE WALKWAYS TO BE ADJUSTED TO NEW SIDEWALK OR TOP OF CURB ELEVATION, AS REQUIRED.
 6. ADJUST MH FRAMES, CB RIMS, AND VALVES TO NEW GRADES, AS REQUIRED.
 7. MODIFIED BARRIER CURB TO BE CONSTRUCTED AT ALL INTERSECTION RADII AND BACK LANE RADII.
 8. INSTALL 40mm LIP CURB THROUGH ALL RESIDENTIAL APPROACHES.
 9. LAMP STANDARDS, HYDRO POLES, AND ANCHORS THAT REQUIRE TEMPORARY SUPPORT, REMOVAL OR REPLACEMENT, TO BE DONE SO AT THE EXPENSE OF THE CONTRACTOR AS NECESSARY.
 10. CONTRACTORS TO TAKE PRECAUTIONARY STEPS TO PROTECT EXISTING TREES WITHIN THE LIMITS OF CONSTRUCTION FROM DAMAGE FROM CONSTRUCTION ACTIVITIES AS OUTLINED IN THE SPECIFICATIONS.
 11. ALL BOULEVARDS TO BE SODDED UNLESS OTHERWISE NOTED.
 12. ADJUST ALL WATER VALVES, HYDRANTS, MANHOLES, AND CATCH BASINS IN WORK AREA TO GRADE.

EXISTING	LEGEND-PLAN	PROPOSED	EXISTING	LEGEND-PLAN	PROPOSED	EXISTING	LEGEND-PROFILE	PROPOSED
---	WATER MAIN	---	---	IRON BAR	---	---	---	---
---	LAND DRAINAGE SEWER	---	---	HYDRO POLE & LIGHT STANDARD	---	---	---	---
---	WASTE WATER SEWER	---	---	LIGHT STANDARD OR TRAFFIC SIGNAL	---	---	---	---
---	HYDRO	---	---	HYDRO POLE	---	---	---	---
---	M.T.S.	---	---	CURB RAMP	---	---	---	---
---	GAS	---	---	DETECTABLE WARNING SURFACE TILE	---	---	---	---
---	SIGNALS	---	---	EDGE OF SIDEWALK	---	---	---	---
○	MANHOLE	●	---	FENCE	---	---	---	---
□	CATCH BASIN	■	---	PROPERTY LINE	---	---	---	---
△	CURB INLET	▽	---	EDGE OF ASPHALT	---	---	---	---
△ □ ○	UTILITIES ADJUSTED	△ □ ○	---	EDGE OF CONCRETE	---	---	---	---
└	PLUG	└	---	MODIFIED BARRIER CURB	---	---	---	---
◆	HYDRANT	◆	---	BARRIER CURB	---	---	---	---
⊙	VALVE	⊙	---	BARRIER CURB AND GUTTER	---	---	---	---
⊙	CURB STOP	⊙	---	CONC SIDEWALK	---	---	---	---
230.99	GROUND GRADE	(231.000)	---	CONCRETE SLAB	---	---	---	---
(231.000)	PAVEMENT GRADE	(231.000)	---	ASPHALT	---	---	---	---
—	ANCHOR	—	---	MILLED SURFACE	---	---	---	---
#111	CIVIC ADDRESS	---	---	ASPHALT JOINT REPAIR	---	---	---	---



LOCATIONS APPROVED UNDERGROUND STRUCTURES

SIGNED BY: _____ DATE: _____

NO. REVISIONS

NO.	REVISIONS	DATE	BY
A	PRELIMINARY DESIGN REVIEW	20190205	K.G.
B	DETAILED DESIGN REVIEW	20190502	R.H.
C	ISSUED FOR TENDER	20190502	R.H.

wsp

WSP Canada Group Limited
Suite 111 - 93 Lombard Ave
Winnipeg, MB R3B 3B1
t. 204.943.3178
f. 204.943.4948
www.wsp.com

DESIGNED BY: K.G./L.V. CHECKED BY: V.M.
DRAWN BY: S.B. APPROVED BY: S.M.

HOR. SCALE: 1:250
VERTICAL: 1:10

RELEASED FOR CONSTRUCTION

CONSULTANT ACAD DWS, NO. 18M-01969-00-07

FOR TENDER PURPOSES ONLY
NOT FOR CONSTRUCTION

METRIC
WHOLE NUMBERS INDICATE MILLIMETRES
DECIMALIZED NUMBERS INDICATE METRES

ENGINEERS GEOSCIENTISTS MANITOBA
Certificate of Authorization
WSP Canada Group Limited
No. 6657

THE CITY OF WINNIPEG
PUBLIC WORKS DEPARTMENT
ENGINEERING SERVICES DIVISION

2019 STREET RENEWAL PROGRAM
MULVEY AVENUE

ASPHALT RECONSTRUCTION
STA. 1+00 TO STA. 1+85

BID NO. 59-2019

CITY DRAWING NUMBER: 07 OF 13

May 06, 2019 - 3:15pm
 P:\2018\18M-01969-00 - 2019 Local Streets Package\19-R-03\Contract 1\10 Drawings\03 Working Drawings\18M-01969-00-07-RC-