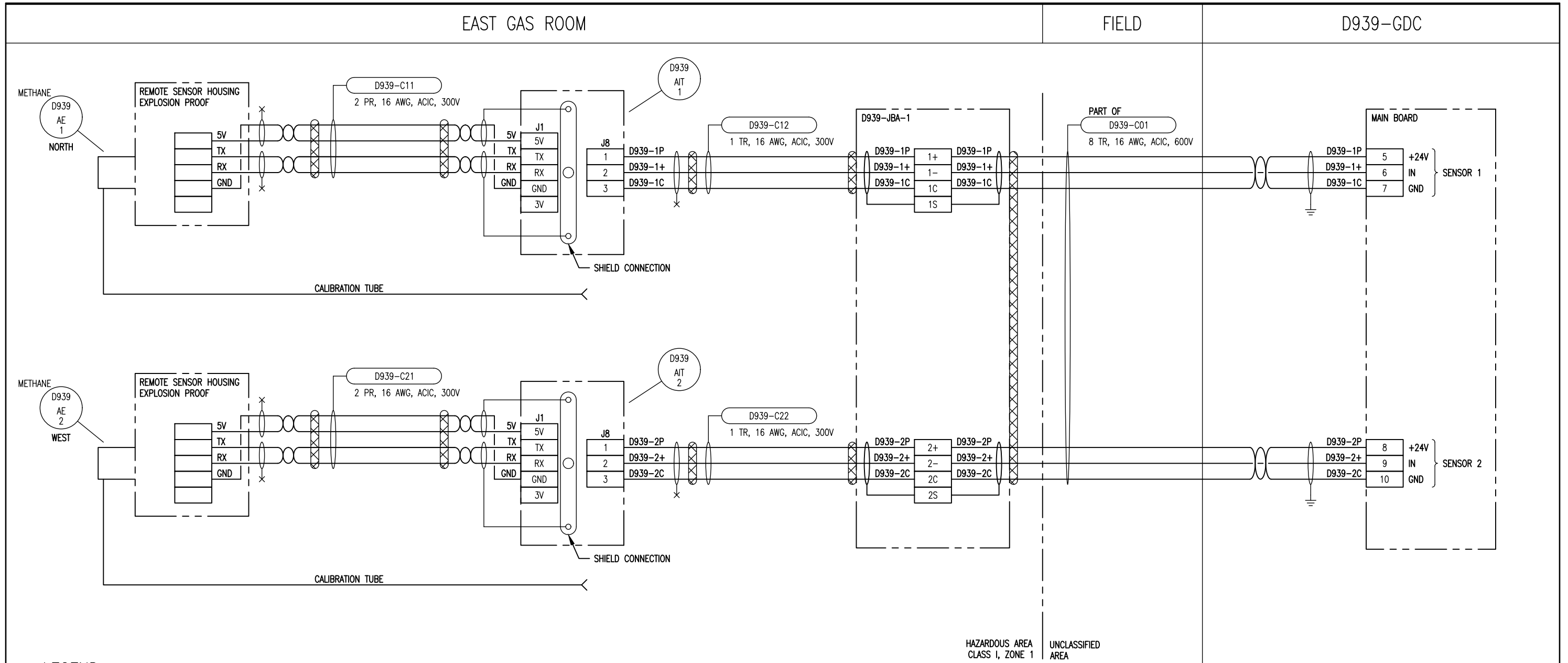


B SIZE - 279mm x 432mm



**LEGEND**

- HAZARDOUS RATED SEAL
- TAPE BACK AND INSULATE SHIELD

ID	DESCRIPTION	MANUFACTURER	MODEL
D939-AE-1 D939-AE-2	SENSOR AND REMOTE HOUSING	MSA	ULTIMA XIR, REMOTE SENSOR, EXPLOSION-PROOF
D939-AIT-1 D939-AIT-2	TRANSMITTER	MSA	ULTIMA X GAS MONITOR, EXPLOSION-PROOF, XP HART PORT

HAZARDOUS AREA CLASS 1, ZONE 1 UNCLASSIFIED AREA

SHEET 32 OF 44

**NOTES:**

1. SEE DRAWINGS FOR INSTRUMENT LOCATIONS:
  - 1-0101D-A0113-002
  - 1-0101D-A0113-003
  - 1-0101D-A0113-004



00	ISSUED FOR CONSTRUCTION	2019-08-01	CJR	CJR
NO.	REVISIONS	DATE	DESIGN	CHECK



DESIGNED BY: C. REIMER	CHECKED BY: C. REIMER
DRAWN BY: S. FUNK	APPROVED BY: C. REIMER
SCALE: NTS	DATE: 2019-05-18
ISSUED FOR CONSTRUCTION	
BY: K. SCHIMKE	DATE: 2019-08-01
BID OPPORTUNITY NO.: 630-2019	

ENGINEER'S SEAL



**THE CITY OF WINNIPEG**  
WATER AND WASTE DEPARTMENT

NORTH END SEWAGE TREATMENT PLANT  
DIGESTERS  
LOOP DIAGRAM  
D939-AIT-1 AND D939-AIT-2  
EAST GAS ROOM GAS DETECTION

CITY DRAWING NUMBER	SHEET	REV.	SIZE
1-0101D-A0123	001	00	B