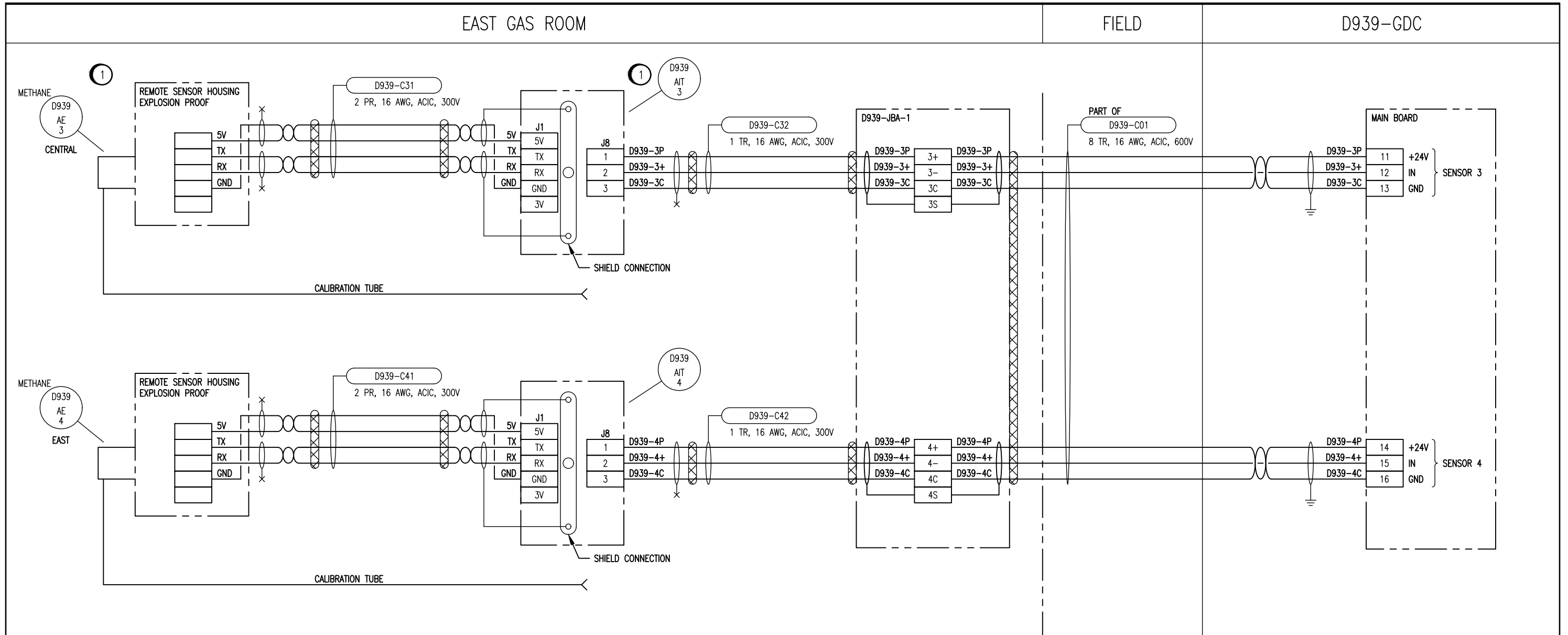


B SIZE - 279mm x 432mm



HAZARDOUS AREA CLASS I, ZONE 1 UNCLASSIFIED AREA

LEGEND

- HAZARDOUS RATED SEAL
- TAPE BACK AND INSULATE SHIELD

ID	DESCRIPTION	MANUFACTURER	MODEL
D939-AE-3 D939-AE-4	SENSOR AND REMOTE HOUSING	MSA	ULTIMA XIR, REMOTE SENSOR, EXPLOSION-PROOF
D939-AIT-3 D939-AIT-4	TRANSMITTER	MSA	ULTIMA X GAS MONITOR, EXPLOSION-PROOF, XP HART PORT

CONSTRUCTION NOTES:

1 RE-IDENTIFY AND RE-USE THE EXISTING GAS SENSOR AND TRANSMITTER IN THE EAST GAS ROOM AS D939-AE-3 AND D939-AIT-3 RESPECTIVELY AND MODIFY THE INSTALLATION AS SHOWN, INCLUDING INSTALLATION OF THE CALIBRATION TUBE. COMMISSION ALONG WITH THE NEW GAS DETECTION.

SHEET 33 OF 44

- NOTES:**
- SEE DRAWINGS FOR INSTRUMENT LOCATIONS:
 - 1-0101D-A0113-002
 - 1-0101D-A0113-004



00	ISSUED FOR CONSTRUCTION	2019-08-01	CJR	CJR
NO.	REVISIONS	DATE	DESIGN	CHECK

CENGYS

DESIGNED BY: C. REIMER	CHECKED BY: C. REIMER
DRAWN BY: S. FUNK	APPROVED BY: C. REIMER
SCALE: NTS	DATE: 2019-05-18
ISSUED FOR CONSTRUCTION	
BY: K. SCHIMKE	DATE: 2019-08-01
BID OPPORTUNITY NO.: 630-2019	

ENGINEER'S SEAL

THE CITY OF WINNIPEG
WATER AND WASTE DEPARTMENT

NORTH END SEWAGE TREATMENT PLANT
DIGESTERS
LOOP DIAGRAM
D939-AIT-3 AND D939-AIT-4
EAST GAS ROOM GAS DETECTION

CITY DRAWING NUMBER	SHEET	REV.	SIZE
1-0101D-A0124	001	00	B