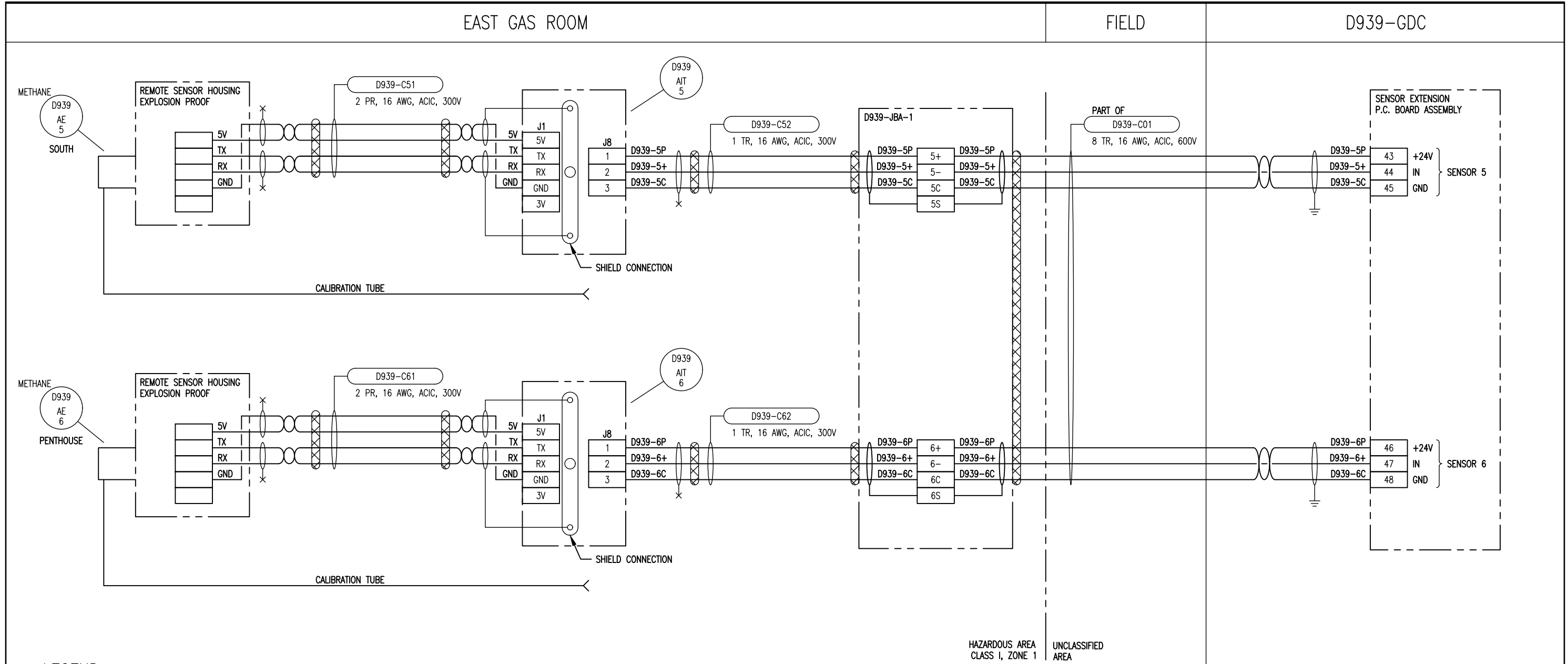


B SIZE - 279mm x 432mm



HAZARDOUS AREA CLASS I, ZONE 1 UNCLASSIFIED AREA

LEGEND

- HAZARDOUS RATED SEAL
- TAPE BACK AND INSULATE SHIELD

ID	DESCRIPTION	MANUFACTURER	MODEL
D939-AE-5 D939-AE-6	SENSOR AND REMOTE HOUSING	MSA	ULTIMA XIR, REMOTE SENSOR, EXPLOSION-PROOF
D939-AIT-5 D939-AIT-6	TRANSMITTER	MSA	ULTIMA X GAS MONITOR, EXPLOSION-PROOF, XP HART PORT

SHEET 34 OF 44

NOTES:
 1. SEE DRAWINGS FOR INSTRUMENT LOCATION:
 • 1-0101D-A0113-003
 • 1-0101D-A0114-001



NO.	REVISIONS	DATE	DESIGN	CHECK
00	ISSUED FOR CONSTRUCTION	2019-08-01	CJR	CJR

CENGYS

DESIGNED BY: C. REIMER	CHECKED BY: C. REIMER
DRAWN BY: S. FUNK	APPROVED BY: C. REIMER
SCALE: NTS	DATE: 2019-05-18
ISSUED FOR CONSTRUCTION	
BY: K. SCHIMKE	DATE: 2019-08-01
BID OPPORTUNITY NO.: 630-2019	

ENGINEER'S SEAL

THE CITY OF WINNIPEG
 WATER AND WASTE DEPARTMENT

NORTH END SEWAGE TREATMENT PLANT
 DIGESTERS
 LOOP DIAGRAM
 D939-AIT-5 AND D939-AIT-6
 EAST GAS ROOM GAS DETECTION

CITY DRAWING NUMBER	SHEET	REV.	SIZE
1-0101D-A0125	001	00	B