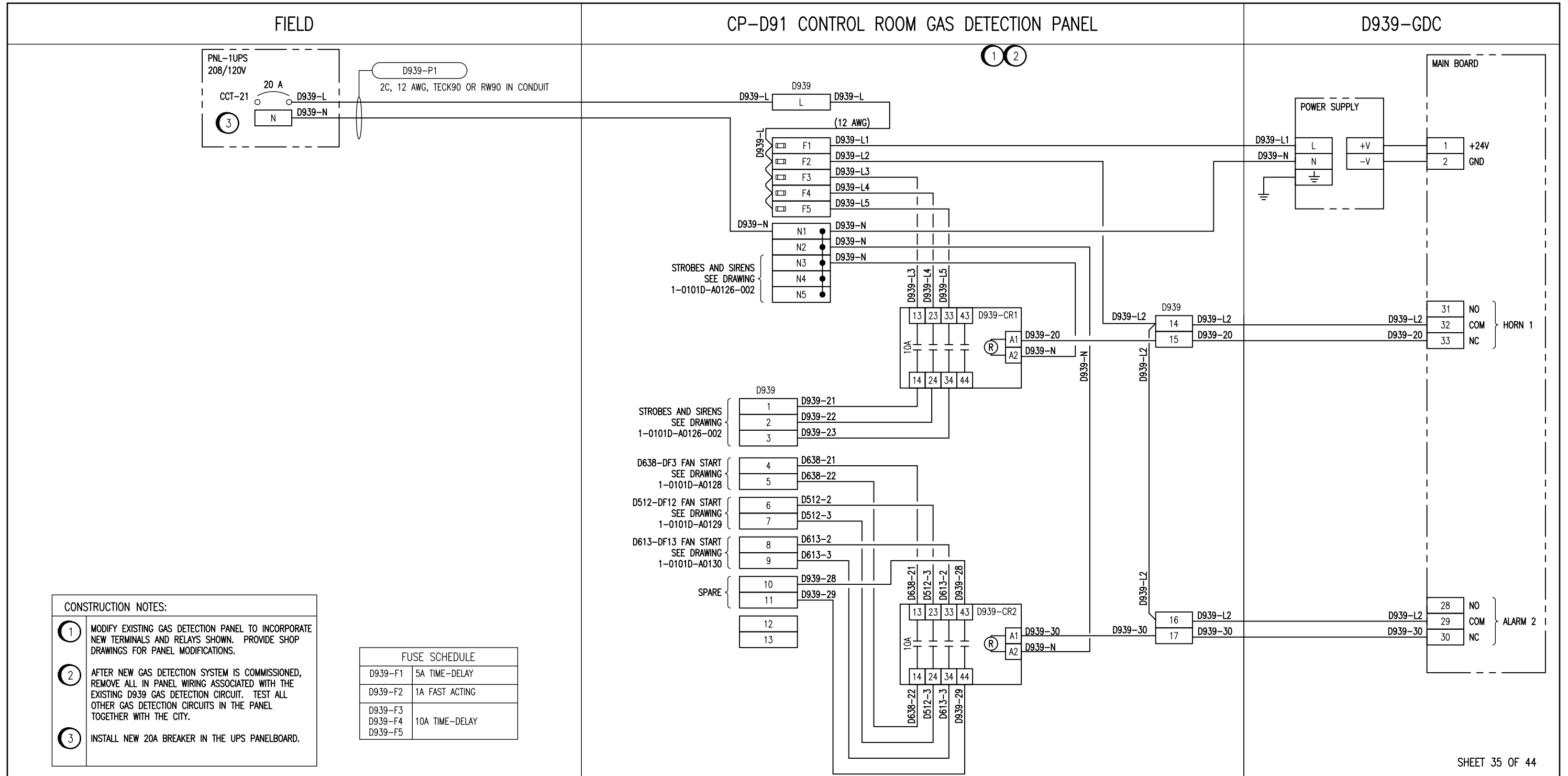


B SIZE - 279mm x 432mm



CONSTRUCTION NOTES:

- MODIFY EXISTING GAS DETECTION PANEL TO INCORPORATE NEW TERMINALS AND RELAYS SHOWN. PROVIDE SHOP DRAWINGS FOR PANEL MODIFICATIONS.
- AFTER NEW GAS DETECTION SYSTEM IS COMMISSIONED, REMOVE ALL IN PANEL WIRING ASSOCIATED WITH THE EXISTING D939 GAS DETECTION CIRCUIT. TEST ALL OTHER GAS DETECTION CIRCUITS IN THE PANEL TOGETHER WITH THE CITY.
- INSTALL NEW 20A BREAKER IN THE UPS PANELBOARD.

FUSE SCHEDULE	
D939-F1	5A TIME-DELAY
D939-F2	1A FAST ACTING
D939-F3 D939-F4 D939-F5	10A TIME-DELAY

SHEET 35 OF 44

NOTES:

- DESIGN MAXIMUM OPERATING CURRENT:
 - STROBES: 1.25 A
 - HORNS: 0.75 A
- GAS DETECTION CONTROLLER ALARM RELAYS TO BE ENERGIZED WHEN POWERED AND OPERATING UNDER NORMAL CONDITIONS.
- ALARM AND ANNUNCIATION TO BE TESTED AT REGULAR INTERVALS. MINIMUM TESTING FREQUENCY OF MONTHLY IS RECOMMENDED.

ENGINEERS
GEOSCIENTISTS
MANITOBA
Certificate of Authorization
CENGYs Ltd.
No. 6983

NO.	REVISIONS	DATE	DESIGN	CHECK
00	ISSUED FOR CONSTRUCTION	2019-08-01	CJR	CJR

CENGYs

ENGINEER'S SEAL

DESIGNED BY: C. REIMER	CHECKED BY: C. REIMER
DRAWN BY: C. REIMER	APPROVED BY: C. REIMER
SCALE: NTS	DATE: 2019-05-18
ISSUED FOR CONSTRUCTION BY: K. SCHIMKE	DATE: 2019-08-01
BID OPPORTUNITY NO.: 630-2019	

THE CITY OF WINNIPEG
WATER AND WASTE DEPARTMENT

NORTH END SEWAGE TREATMENT PLANT
DIGESTERS
LOOP DIAGRAM
D939-GDC STROBES, SIRENS AND VENTILATION CONTROL
EAST GAS ROOM GAS DETECTION

CITY DRAWING NUMBER 1-0101D-A0126	SHEET 001	REV. 00	SIZE B
--------------------------------------	--------------	------------	-----------