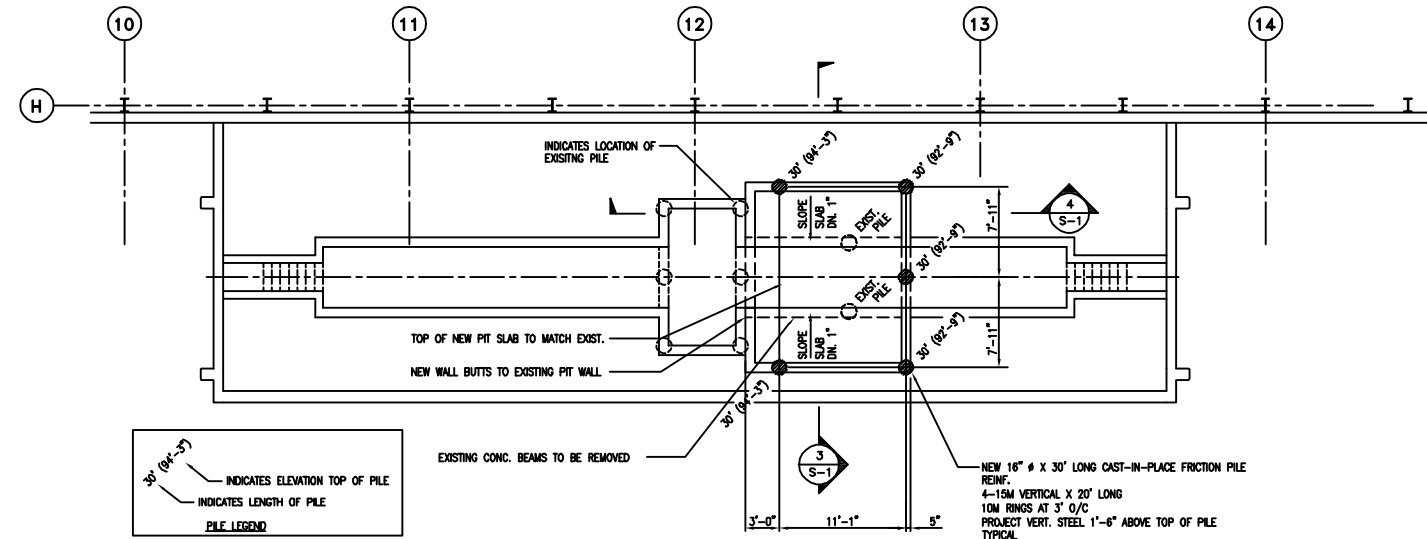
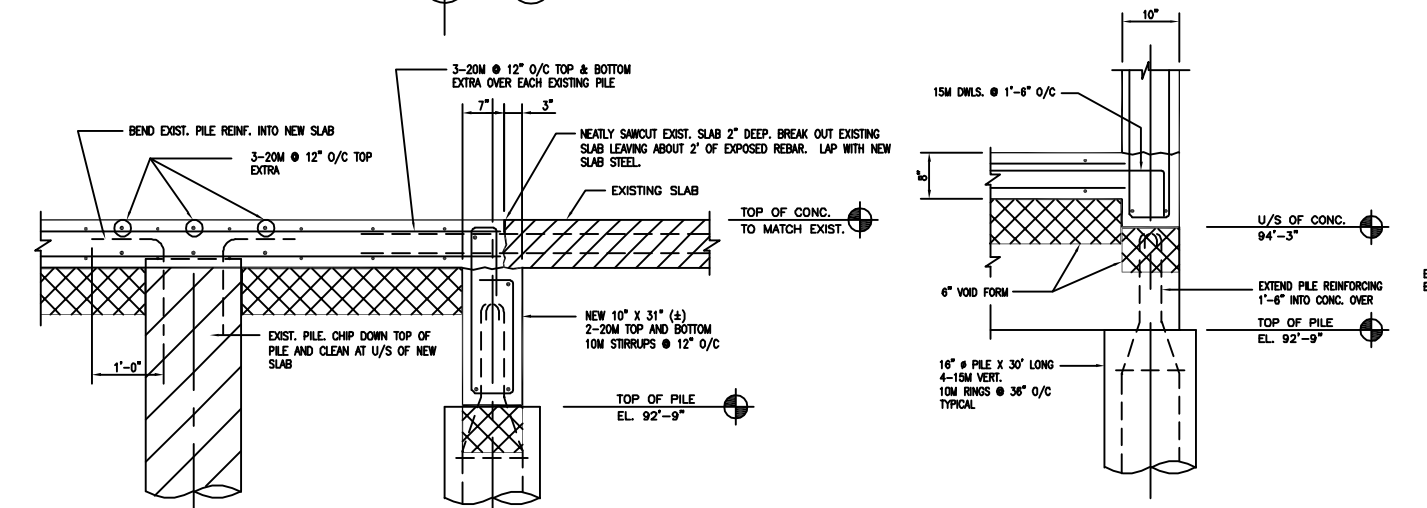


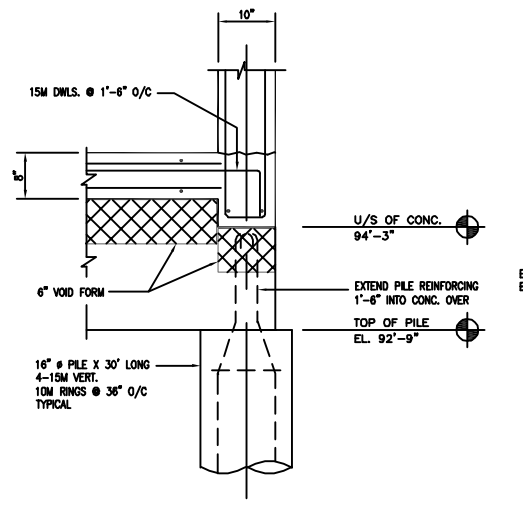
2 FLOOR FRAMING PLAN
SCALE: 1/8" = 1'-0"



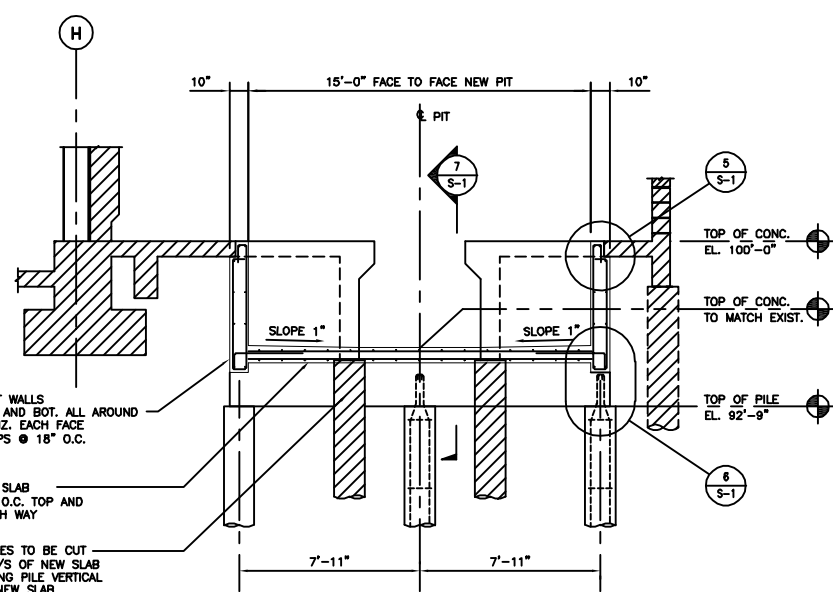
1 FOUNDATION PLAN
SCALE: 1/8" = 1'-0"



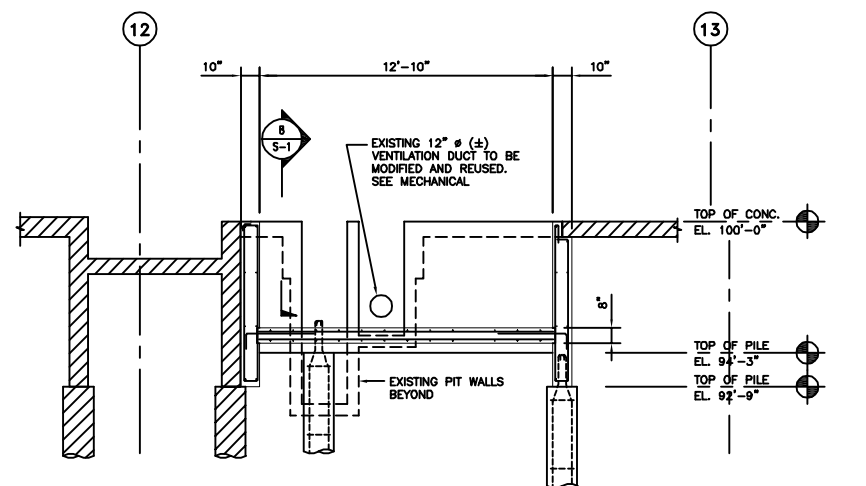
7 SECTION
SCALE: 3/4" = 1'-0"



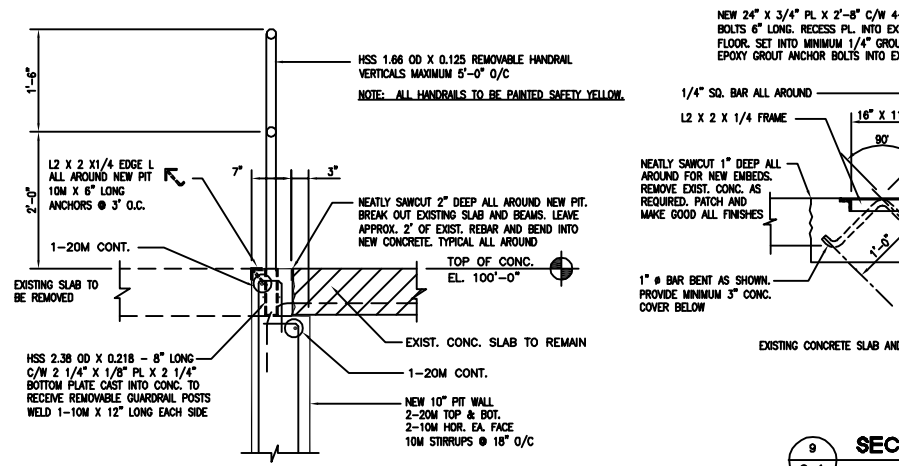
6 SECTION
SCALE: 3/4" = 1'-0"



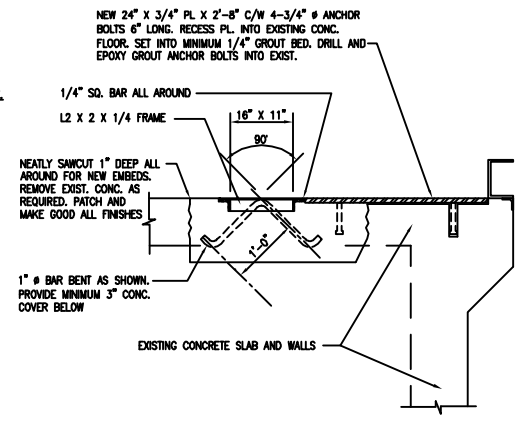
3 SECTION
SCALE: 1/4" = 1'-0"



4 SECTION
SCALE: 1/4" = 1'-0"



5 SECTION
SCALE: 3/4" = 1'-0"



9 SECTION
SCALE: 3/4" = 1'-0"

GENERAL NOTES

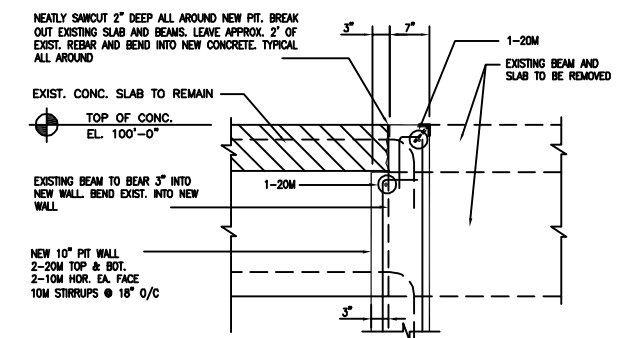
1. ALL WORK TO BE DONE IN ACCORDANCE WITH THE MANITOBA BUILDING CODE AND ALL STANDARDS REFERENCE THEREIN.
2. CONTRACTOR IS TO VERIFY ALL EXISTING DIMENSIONS, ELEVATIONS, SLOPES AND CONDITIONS ON SITE PRIOR TO STARTING CONSTRUCTION.
3. IF ANY UNSOUND STRUCTURAL CONDITIONS ARE CREATED OR OBSERVED DURING CONSTRUCTION, REPORT THEM IMMEDIATELY TO THE CONTRACT ADMINISTRATOR.

CONCRETE

1. ALL CONCRETE WORK TO BE DONE IN ACCORDANCE WITH THE LATEST EDITION OF CAN3-A23.1, A-23.2-M94 FOR "CONCRETE MATERIALS AND METHODS OF CONCRETE CONSTRUCTION."
2. CALCIUM CHLORIDE IS NOT PERMITTED.
3. CEMENT SHALL BE TYPE 10 NORMAL PORTLAND EXCEPT PILES TO BE TYPE 50 SULPHATE RESISTANT.
4. CONCRETE:
 - MINIMUM COMPRESSIVE STRENGTH @ 28 DAYS TO BE 25 MPa.
 - MAXIMUM AGGREGATE SIZE TO BE 3/4"
 - MAXIMUM SLUMP TO BE 3" ± 1"

REINFORCING STEEL

1. ALL REINFORCING STEEL TO CONFORM TO CSA 30.18-M92 GRADE 400.
2. ALL REINFORCING STEEL TO BE FREE FROM RUST, OIL, MUD OR OTHER COATINGS WHICH WOULD REDUCE BOND.



8 SECTION
SCALE: 3/4" = 1'-0"

NO.	DESCRIPTION	DATE	BY
—	REVISED	Jan. 11/02	
—	ISSUED FOR FINAL REVIEW	Oct. 16/01	
—	ISSUED FOR TENDER	Aug. 23/01	
—	ISSUED FOR CLIENT REVIEW	July 10/01	

CLIENT
CITY OF WINNIPEG TRANSIT
421 OSBORNE ST., WINNIPEG MANITOBA

D.H. ROBBINS ENGINEERING
CONSULTING STRUCTURAL ENGINEERS
3-430 River Avenue, Winnipeg, Manitoba, R3L 0C6

PROJECT
INSTALL FRONT END ALIGNMENT MACHINE DYNAMOMETER ROOM

DRAWING TITLE
PIT PLAN AND DETAILS

DESIGN BY DLL	DRAWN BY CH/KED BY
APPROVED BY	
SCALE AS NOTED	DATE July 9, 01
DRAWING NO. 01402-01-S1	REV. 0

