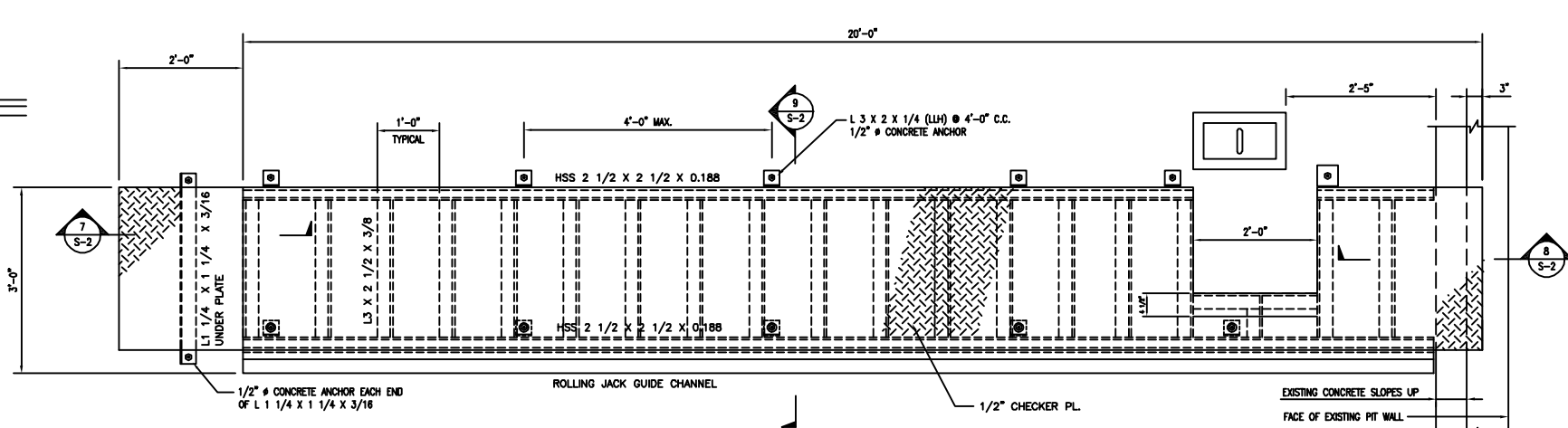
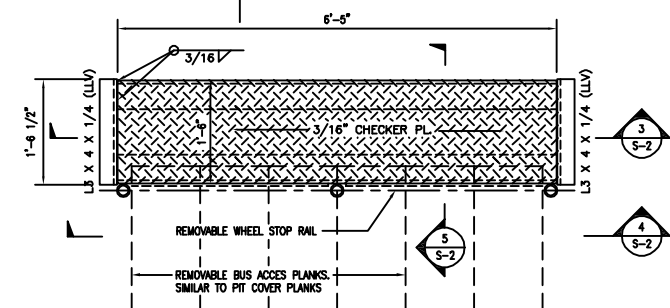


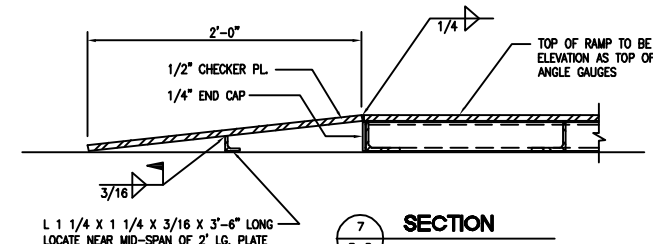
1 FLOOR PLAN
SCALE: 1/8" = 1'-0"



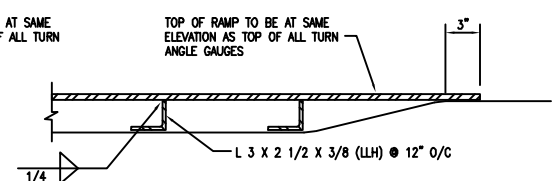
6 RUNWAY RAMP PLAN (2 THUS)
SCALE: 3/4" = 1'-0"



2 STEEL RAMP PLAN (2 THUS)
SCALE: 3/4" = 1'-0"



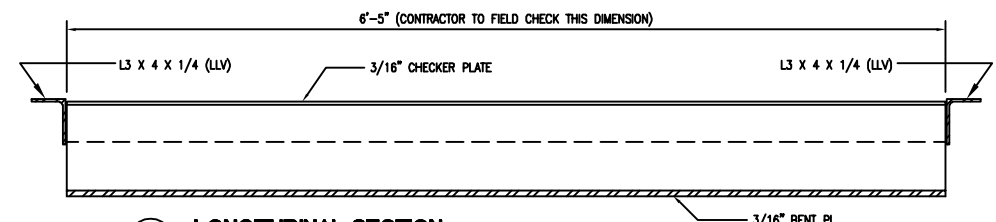
7 SECTION
SCALE: 1 1/2" = 1'-0"



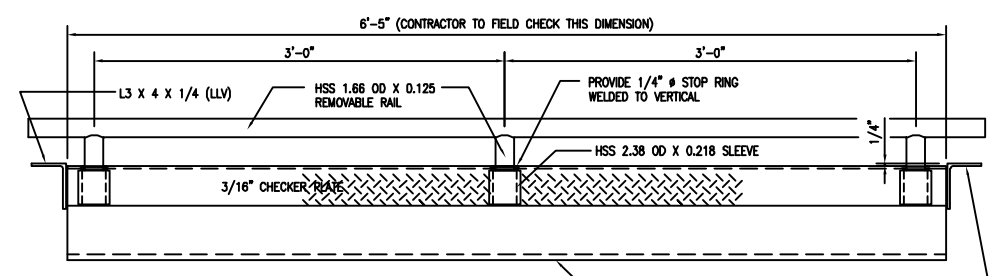
8 SECTION
SCALE: 1 1/2" = 1'-0"

STRUCTURAL STEEL

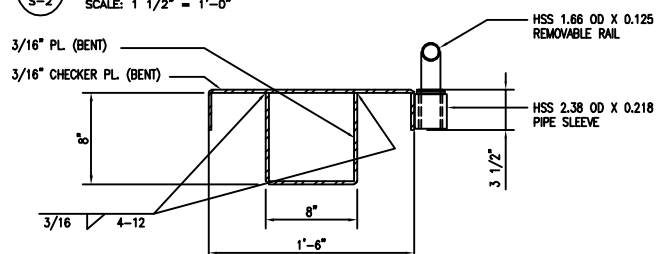
1. ALL STRUCTURAL STEEL SHAPES AND PLATES TO BE IN ACCORDANCE WITH CAN 3-C40.21 GRADE 300W.
2. ALL STEEL WELDING TO CONFORM TO CSA W59.1. FABRICATORS TO BE CERTIFIED IN ACCORDANCE WITH CSA W47.1.
3. ALL STRUCTURAL STEEL SHALL RECEIVE ONE SHOP COAT OF RED OXIDE PRIMER.
4. FIELD TOUCH-UP ALL DAMAGED AREAS, NICKS, SCRATCHES AND WELDS.
5. ALL NEW STEEL TO BE PAINTED TO MATCH COLOUR OF NEW PIT RACKS.
6. ALL ALUMINUM PLATES AND SECTIONS TO BE ALUMINUM ALLOY 6061 T6 STRUCTURAL QUALITY.
7. ALL ALUMINUM WELDING TO CONFORM TO CSA W59.2. FABRICATORS TO BE CERTIFIED IN ACCORDANCE WITH CSA W47.2.



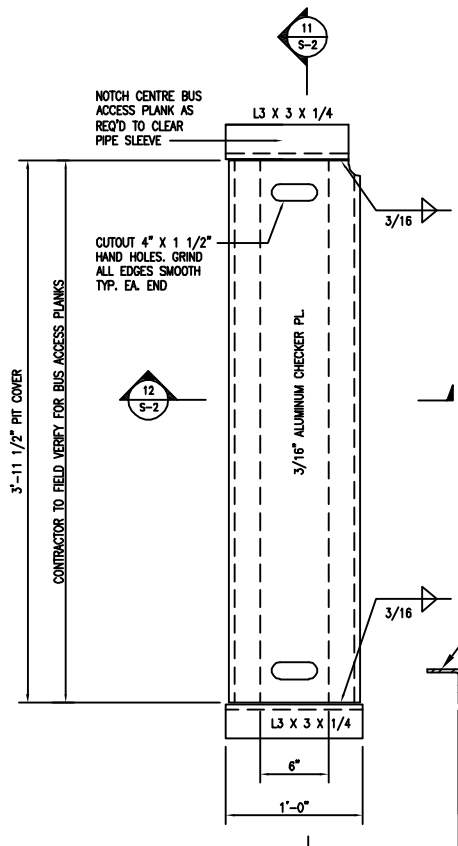
3 LONGITUDINAL SECTION
SCALE: 1 1/2" = 1'-0"



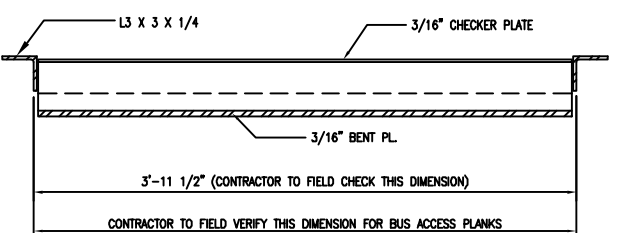
4 ELEVATION
SCALE: 1 1/2" = 1'-0"



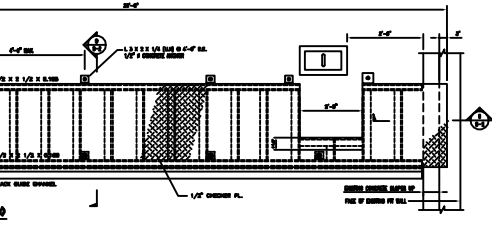
5 CROSS SECTION
SCALE: 1 1/2" = 1'-0"



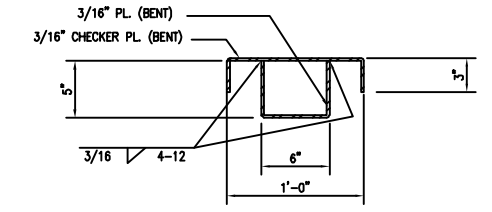
10 REMOVABLE PIT COVER
SCALE: 1 1/2" = 1'-0"



11 LONGITUDINAL SECTION
SCALE: 1 1/2" = 1'-0"



12 RUNWAY RAMP PLAN (2 THUS)
SCALE: 3/4" = 1'-0"



12 CROSS SECTION
SCALE: 1 1/2" = 1'-0"

RE-ISSUED	Jan. 11/02		
ISSUED FOR FINAL REVIEW	Oct. 16/01		
ISSUED FOR TENDER	Aug. 23/01		
ISSUED FOR CLIENT REVIEW	July 10/01		
NO.	DESCRIPTION	DATE	BY
REVISIONS			
CLIENT			
CITY OF WINNIPEG TRANSIT			
421 OSBORNE ST., WINNIPEG MANITOBA			
PROJECT			
INSTALL FRONT END ALIGNMENT MACHINE DYNAMOMETER ROOM			
DRAWING TITLE			
RAMP PLANS AND DETAILS			
SEAL	DESIGN BY	DRAWN BY	CHK'D BY
	DLL		
	APPROVED BY	SCALE	DATE
		AS NOTED	July 9, 01
	DRAWING NO.	REV.	
	01402-01-S2	0	