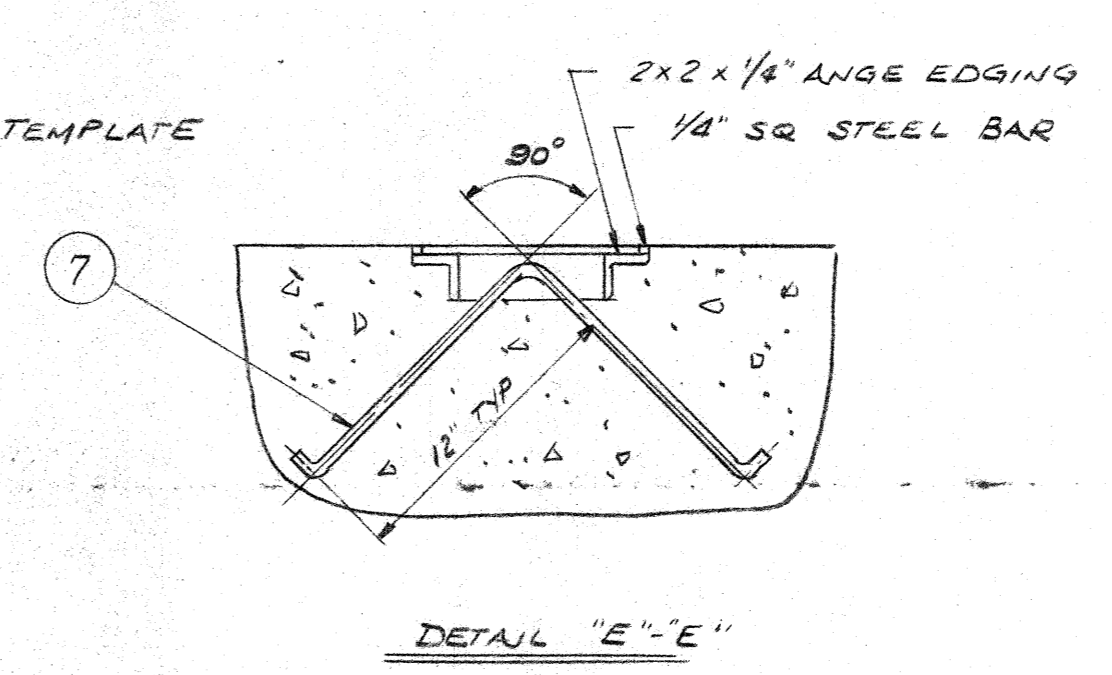
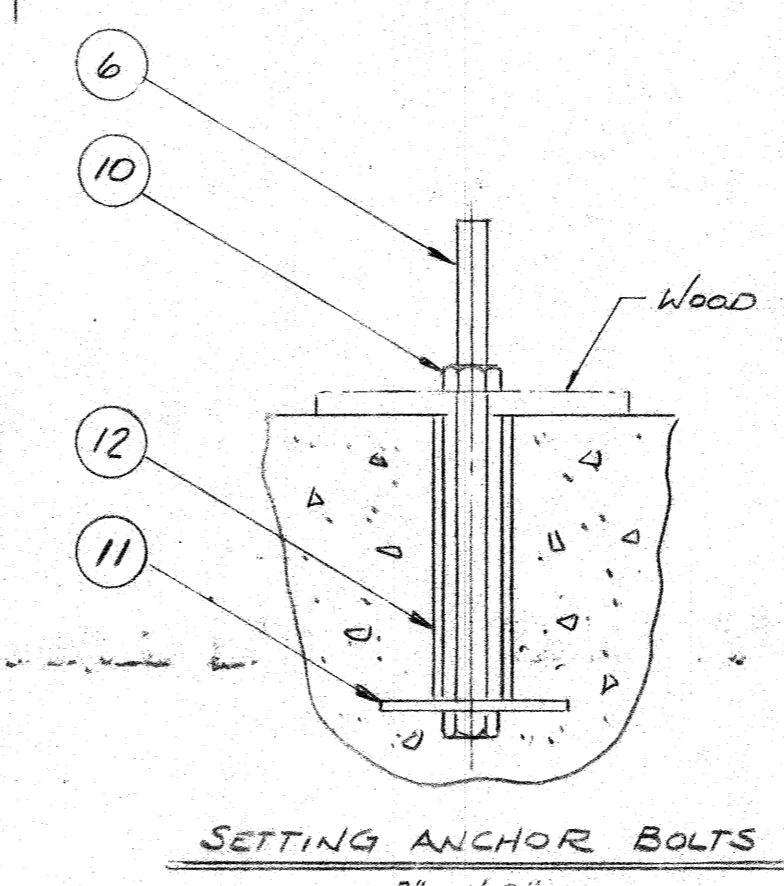
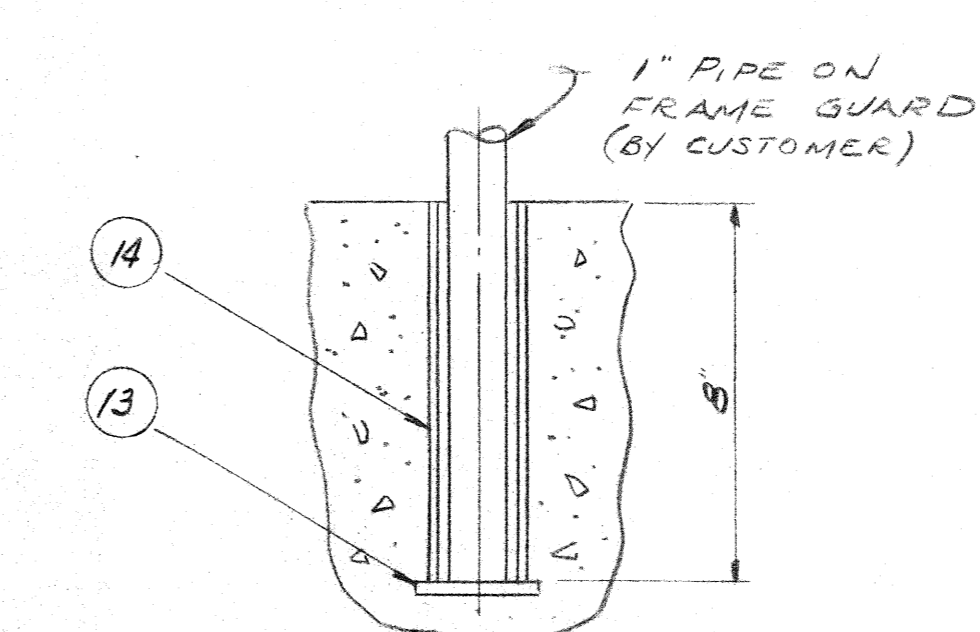
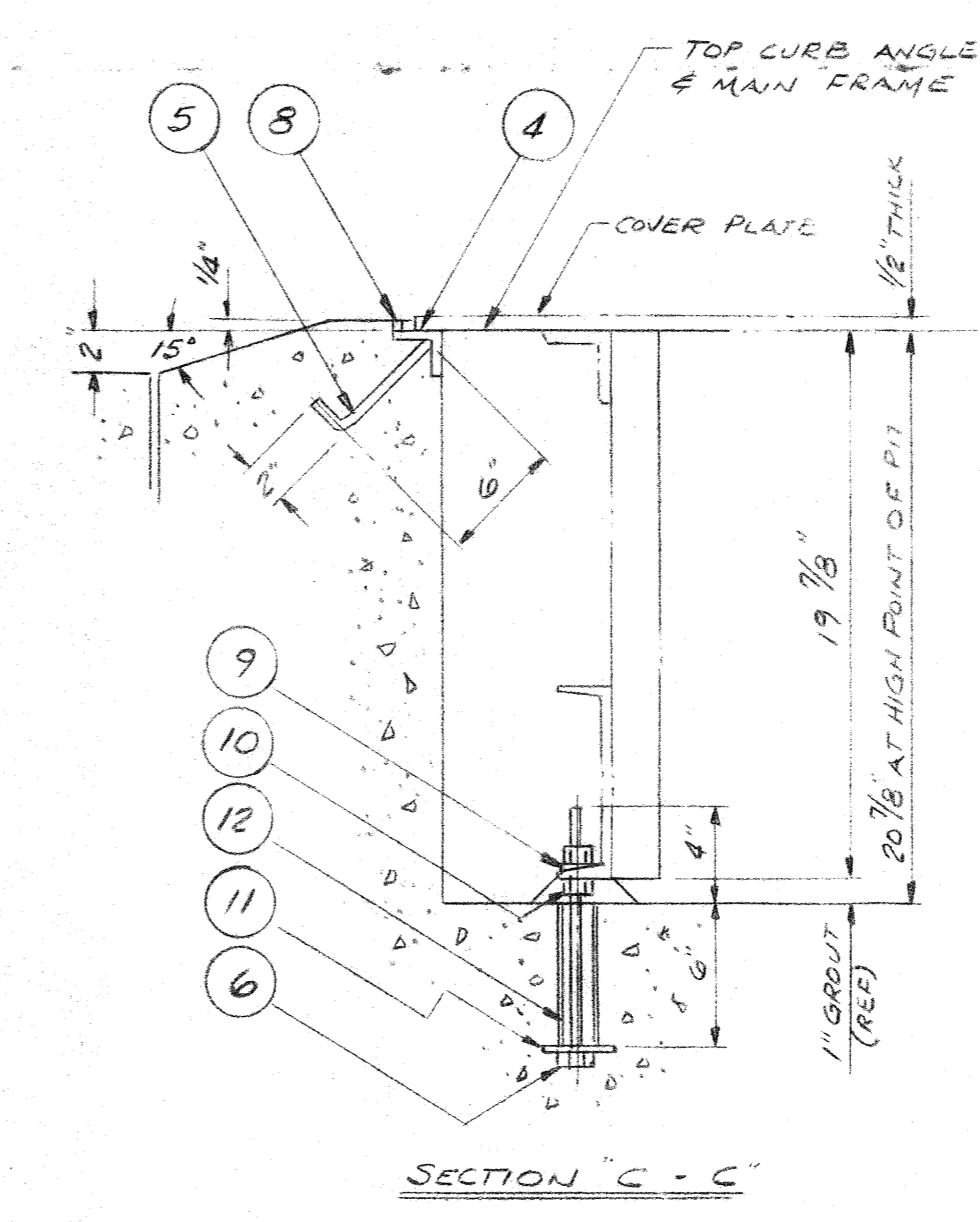
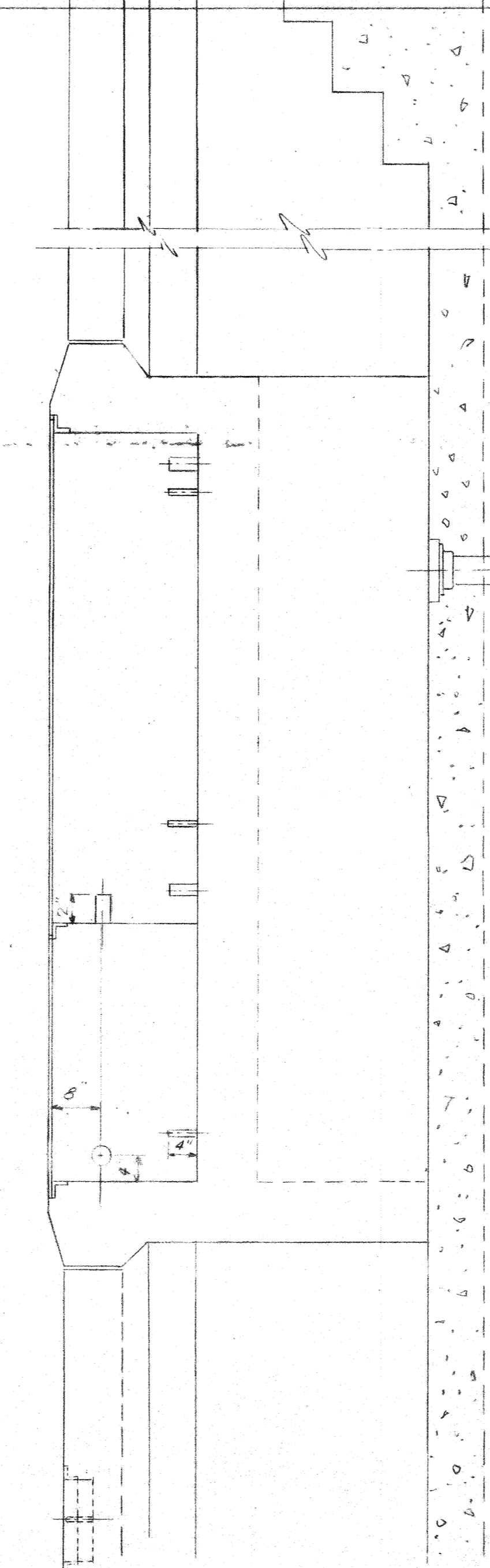
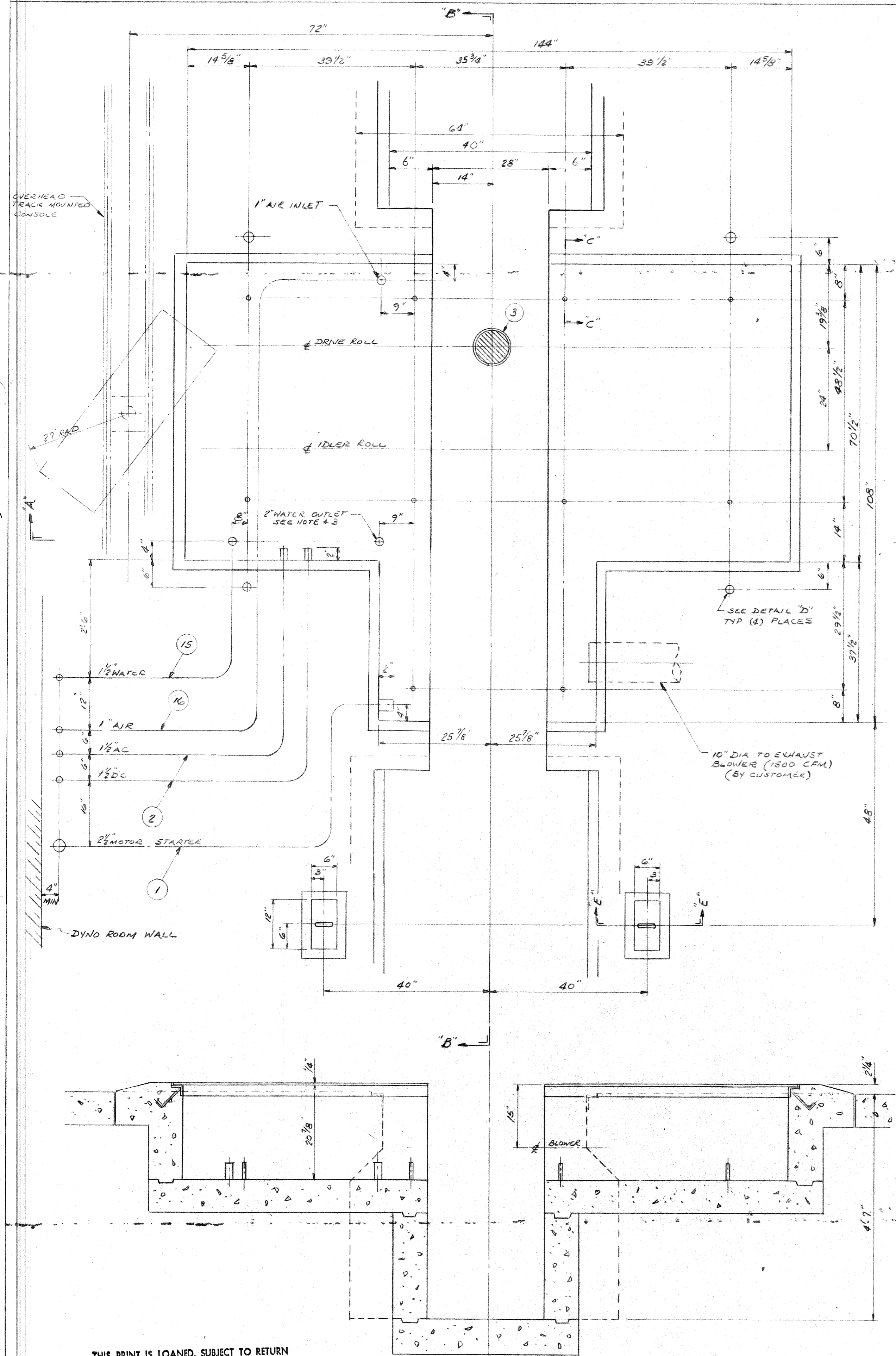


REV	BY	DATE	REASON
A	GM	7-7-51	RELOCATE CONDUITS
B	GM	7-13-51	PIT WIDTH 40" WAS 48"



- NOTES:
- 1- PITCH PIT FLOOR 1/8 IN/FT TOWARDS DRAIN
 - 2- ANCHOR BOLTS MUST BE SET TRUE AND SQUARE TO FOUNDATIONS AND CURB ANGLE
 - 3- ALL MAT'L ON THIS DRAWING TO BE FURNISHED BY PURCHASER EXCEPT DYNO FRAME & COVER PLATES
 - 4- CONCRETE THICKNESSES SHOWN ARE RECOMMENDED ACTUAL THICKNESSES AND STEEL REINFORCING SHALL BE GOVERNED BY LOCAL CONDITIONS & BUILDING CODES.
 - 5- GROUT UNDER DYNO FRAME PROVIDING OPENINGS FOR DRAIN AFTER LEVELING AND SECURING ANCHOR BOLTS. SEE INSTRUCTION MANUAL
 - 6- PAINT ALL STEEL PRIME COAT RUSTOLEUM OR EQUIV PRIOR TO INSTALLATION.
 - 7- ALL STEEL FABRICATION TO BE OF WELDED CONSTRUCTION.
 - 8- IT IS PREFERABLE THAT THE DYNO WATER BE DUMPED DIRECTLY ITEM #3 TO ELIMINATE ANY BACK PRESSURE. IF THE LOCAL CODE REQUIRES A SEPARATE LINE CAN BE INSTALLED.

ITEM	QTY	PART N°	MATL	DESCRIPTION
16	AS REQD		GALV	CONDUIT & FITTINGS 1" DIA
15	AS REQD		GALV	1 1/2" SCH #40 PIPE
14	4		GALV	1 1/4" SCH #40 PIPE X 8" LG
13	4		STL	1/8" R X 2 1/4" X 2 1/4"
12	10		GALV	1 1/4" SCH #40 PIPE X 6" LG
11	10		STL	1/4" R X 4" X 4" LG
10	20		STL	5/8"-11 HEX NUT
9	10		MT	5/8" BEVEL WASHER
8	42 FT		STL	EDGING 1/4" SQ
7	2		STL	ANCHOR 1" DIA X 30" LG
6	10		STL	ANCHOR BOLT 5/8"-11 X 10" LG HEX BOLT (5" THD LTH)
5	21		STL	CURB ANCHOR 5/8" DIA X 8" LG
4	42 FT		STL	CURB ANGLE 2 X 2 X 1/4" R
3	1		CI	6" DRAIN PIPE & COVER
2	AS REQD		GALV	CONDUIT & FITTINGS 1 1/2" DIA
1	AS REQD		GALV	CONDUIT & FITTING 2 1/2" DIA

THIS PRINT IS LOANED, SUBJECT TO RETURN UPON DEMAND AND IS NOT TO BE USED DIRECTLY OR INDIRECTLY IN ANY WAY DETRIMENTAL TO OUR INTEREST.

SECTION "A-A"

A. I. S. I. STANDARD FINISHES							
SYMBOL	C	D	E	F	G	J	K
MICRO-INCH RMS-VALUE	16	32	63	125	250	1000	2000

NO. OF REV.	DATE	BY	REASON
1			

DRAWN BY: E. M. MURPHY

TRACED BY: S. G. 70

CHK'D BY: GM

DATE: 7-10-70

APPR'D. BY:

MAXWELL INDUSTRIES
EXTON, PA

DYNAMOMETER BLDG.
FOUNDATION DETAIL
(WITH SERVICE PIT)

MODEL 7512

SCALE: 3/4" = 1'-0"

D-75-99-48

REV B

THIS DRAWING IN DESIGN AND DETAILS IS OUR PROPERTY AND IS TO BE USED ONLY IN CONNECTION WITH OUR WORK. ALL RIGHTS RESERVED.