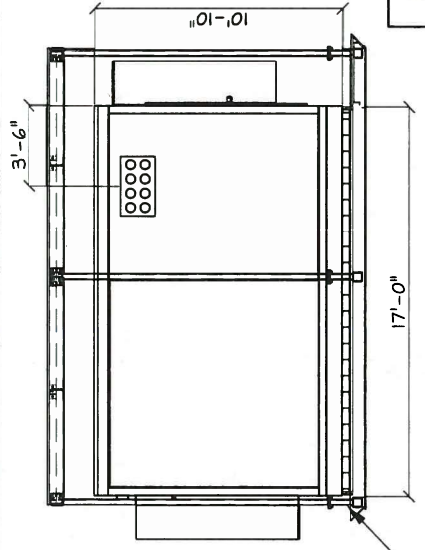
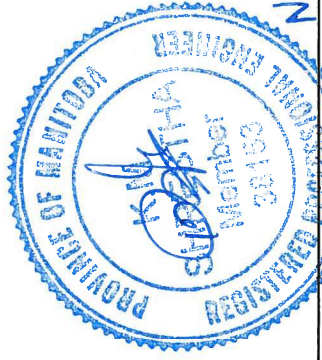
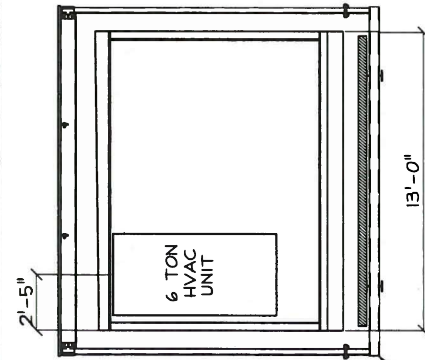


Nov 18 2016

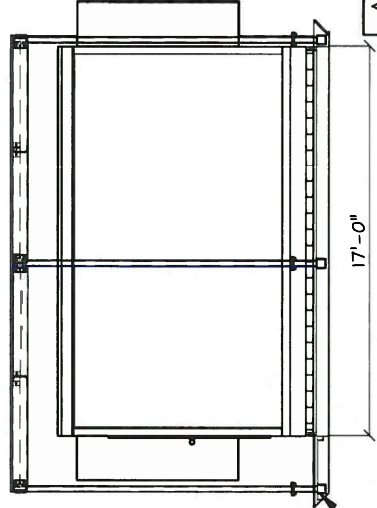


LEFT SIDE ELEVATION
VIEW 'C-C'



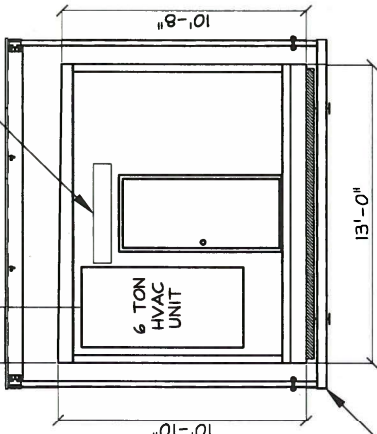
REAR ELEVATION
VIEW 'B-B'

BUILDING LOADS
 WIND = 450 Pa, $w = 1.25$
FLOOR
 DEAD LOAD = 3 KPa
 LIVE LOAD = 10.8 KPa
ROOF / ROOF PROTECTION COVER
 LIVE LOAD = 2 KPa
 SNOW LOAD (5s) = 1.9 KPa ($1s = 1.25$)
 TOTAL MINIMUM ROOF AND ROOF PROTECTING GRADING LOADING CAPACITY IS 7.2 KPa AS STATED IN E77 (DESIGN SPECIFICATION FOR EQUIPMENT SHELTER PROVIDED BY CLIENT)



RIGHT SIDE ELEVATION
VIEW 'D-D'

METAL CANOPY
(SITE INSTALLED)
WITH HALOGEN LIGHT



FRONT ELEVATION
VIEW 'A-A'

SHELTER SKID WITH TOP PLATFORM SEE DMG 'E02'

SHELTER SKID WITH TOP PLATFORM SEE DMG 'E02'

SHELTER SKID WITH TOP PLATFORM SEE DMG 'E02'

SHELTER SKID WITH TOP PLATFORM SEE DMG 'E02'

A	DRAWING UPDATE	04/11/16	JSG
ISSUE	DESCRIPTION	DATE	BY
TITLE: SHELTER ELEVATIONS			
CUSTOMER: CITY OF WINNIPEG			
PROJECT: 13' x 17' SHELTER			
SITE: 2230 MAIN STREET, WINNIPEG, MB			
DWN BY/APP'D:	DATE:	PROJECT No.:	DRAWING No.:
JSG	16/08/16	22-00233B	- E01

NOTE:
- STRUCTURAL DESIGN OF PROPOSED SHELTER BUILDING AND FOUNDATIONS SATISFIES THE MANITOBA BUILDING CODE 2011.

- READ THIS DMG IN CONJUNCTION WITH 'E02.1', 'E02.2' & 'E04'