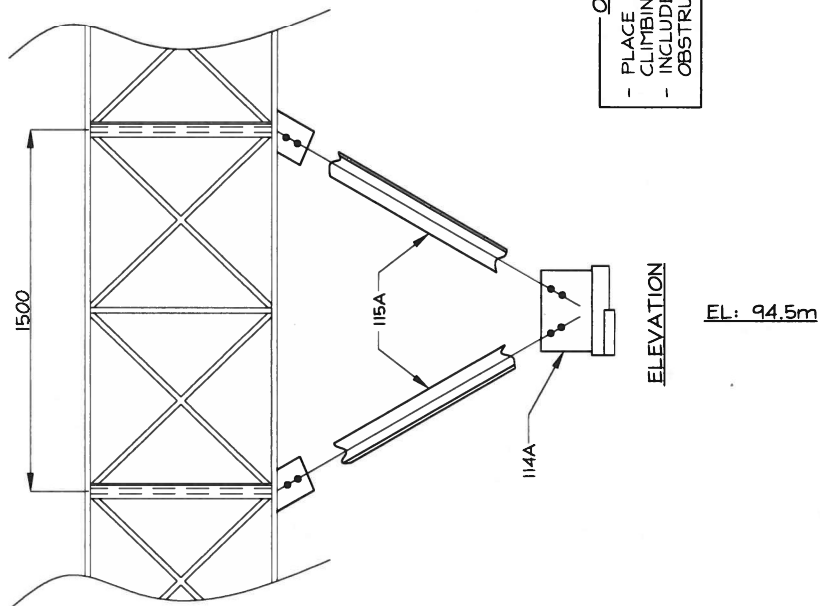
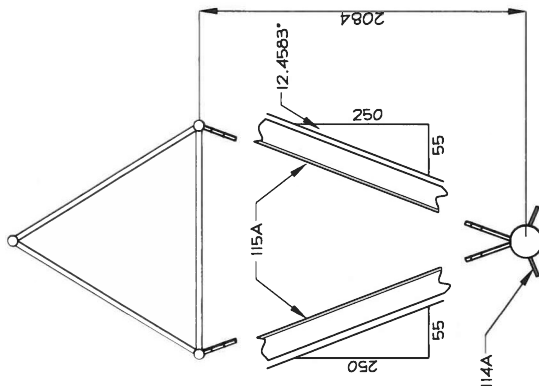


COPYRIGHT: DUPLICATION, RECORDING, USE OR DISCLOSURE PROHIBITED WITHOUT WRITTEN AUTHORIZATION OF Westower Communications.



TOWER SECN



PLAN VIEW (3 FACES SAME)

OBSTRUCTION NOTE:

- PLACE CAUTION SIGNS ABOVE & BELOW CLIMBING OBSTRUCTION.
- INCLUDE ELEVATION OF EL. 94.5m ON OBSTRUCTION SIGN AT BASE OF TOWER.

FIELD BOLTS (PER I/R)
 (48) 3/4"φ A325 BOLTS x 2" LG.

TITLE: TORSION RESISTOR ERECTION (4m TR2)



CUSTOMER: CITY OF WINNIPEG

PROJECT: 1900G' TOWER

SITE: MURRAY

DNW BY/APP'R'D:	DATE:	PROJECT No.:	DRAWING No.:
JSG	19/07/16	22-00233	- E07

COPYRIGHT: DUPLICATION, RECORDING, USE OR DISCLOSURE PROHIBITED WITHOUT WRITTEN AUTHORIZATION OF Westower Communications.