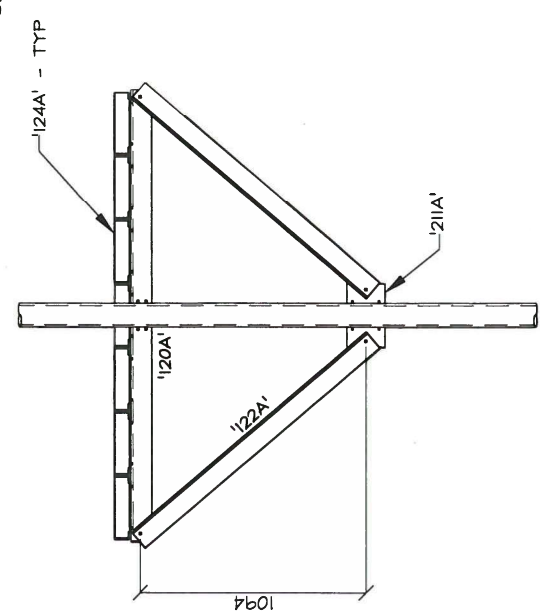
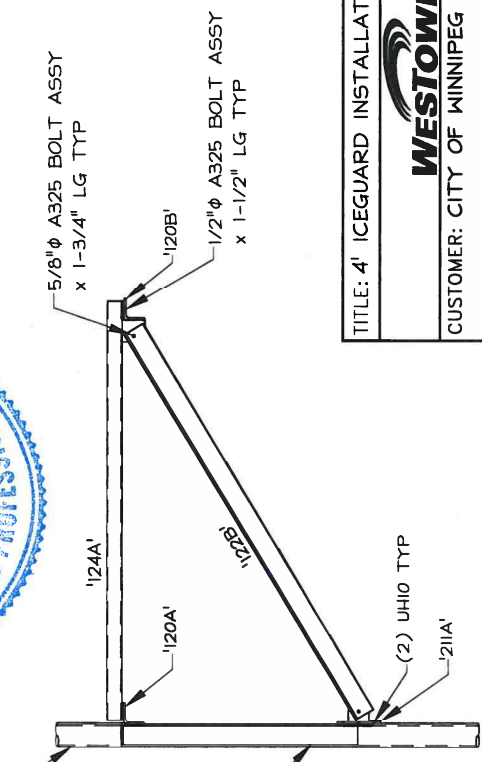


PLAN VIEW



REAR ELEVATION VIEW

FOR 'MM11D' INSTALLATION SEE DWG 'E10A'

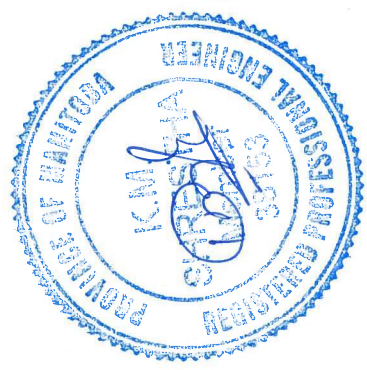


SIDE VIEW

NOTE:
MK '122C' PROVIDED AS A SIDE STRUT TO SECURE ICEGUARD TO TOWER LEG.

FIELD BOLTS PER ICEGUARD:
28-1/2" φ A325 BOLTS x 1 1/2" LG
12-5/8" φ A325 BOLTS x 1 3/4" LG
4-UH10 U-BOLTS

READ THIS DRAWING IN CONJUNCTION WITH 'E10A'.



TITLE: 4' ICEGUARD INSTALLATION AT EL: 45.0m	
WESTOWER CUSTOMER: CITY OF WINNIPEG	
PROJECT: SITE UPGRADE	
SITE: 2230 MAIN STREET, WINNIPEG, MB	
DWN BY/APP'D: J5G	DATE: 24/10/16
PROJECT No.: 22-00243	DRAWING No.: -E10B