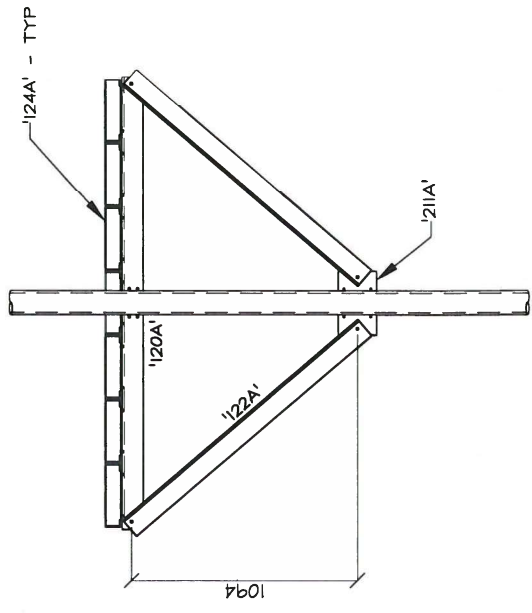
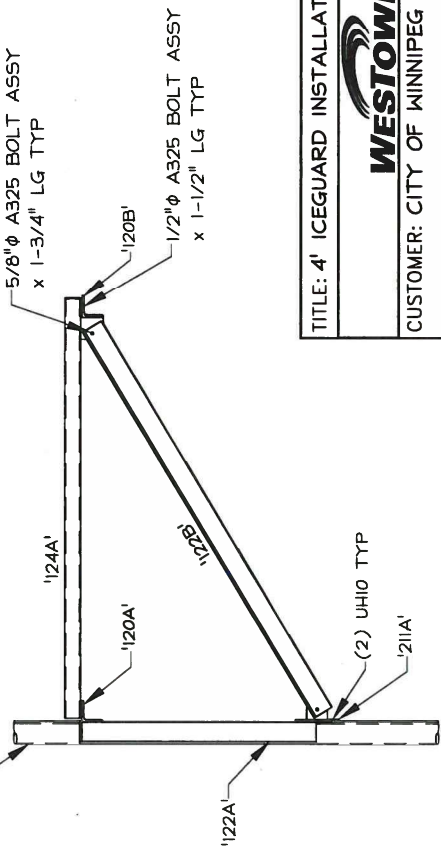


PLAN VIEW

FOR 'MMIID' INSTALLATION SEE DWG 'E10A'



REAR ELEVATION VIEW

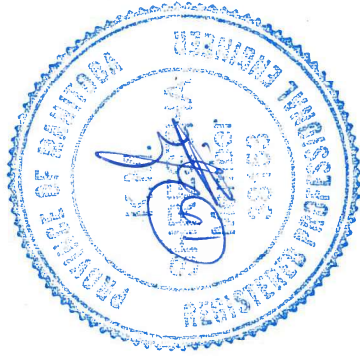


SIDE VIEW

NOTE:
MK '122C' PROVIDED AS A SIDE STRUT TO SECURE ICEGUARD TO TOWER LEG.

FIELD BOLTS PER ICEGUARD
28-1/2" ϕ A325 BOLTS x 1 1/2" LG
12-5/8" ϕ A325 BOLTS x 1 3/4" LG
4-UH10 U-BOLTS

READ THIS DRAWING IN CONJUNCTION WITH 'E12A'.



TITLE: 4' ICEGUARD INSTALLATION AT EL: 10.0m	
WESTOWER	
CUSTOMER: CITY OF WINNIPEG	
PROJECT: SITE UPGRADE	
SITE: 2230 MAIN STREET, WINNIPEG, MB	
DWN BY: JSG	APPR'D: DATE: 24/10/16
PROJECT No.: 22-00243	DRAWING No.: -E12B