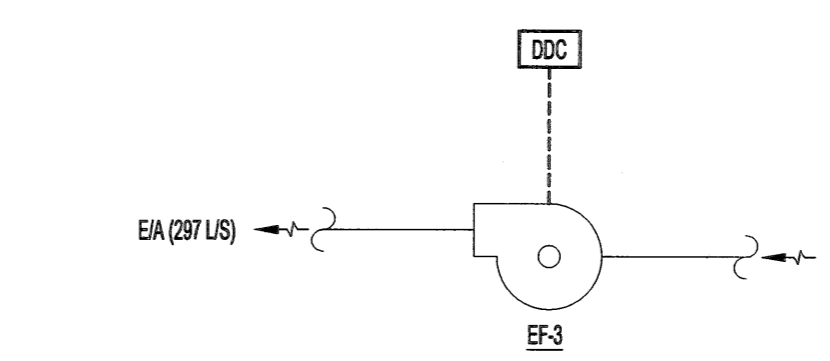
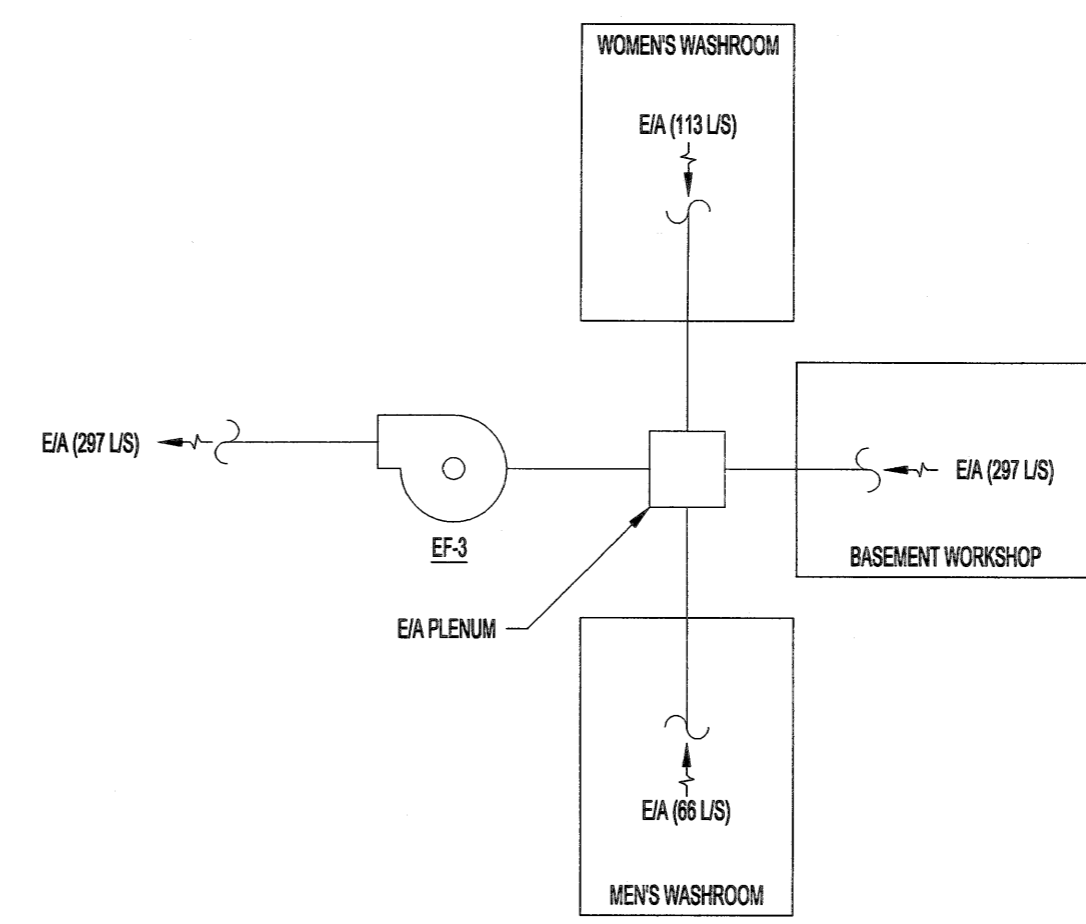


1 HEAT RECOVERY VENTILATOR (HRV-1) CONTROLS SCHEMATIC
SCALE: N.T.S.



2 EXHAUST FAN (EF-3) CONTROLS SCHEMATIC
SCALE: N.T.S.



3 EXHAUST FAN (EF-3) BALANCING SCHEMATIC
SCALE: N.T.S.

NOTES:

THESE DRAWINGS SHALL NOT BE SCALED.

THE CONTRACTOR SHALL VISIT THE SITE AND SATISFY ONESELF ALL DIMENSIONS, DATUM, AND DETAILED INFORMATION SHOWN ARE CORRECT.

THE CONTRACTOR IS TO REVIEW AND COORDINATE ALL ARCHITECTURAL, MECHANICAL, ELECTRICAL AND STRUCTURAL DRAWINGS FOR ADDITIONAL OPENINGS THROUGH FLOORS, WALLS, AND CEILINGS FOR DUCT, PIPE & ELECTRICAL RISERS AND ALL OPENINGS NOT SHOWN ON DRAWINGS.

ALL OPENINGS THROUGH THE FIRE SEPARATIONS AS A RESULT OF THE WORK OF THIS CONTRACT ARE TO BE FIRE STOPPED AND SEALED WITH ULC APPROVED FIRE STOPPING TO MAINTAIN THE INTEGRITY OF THE FIRE SEPARATION, AND PROVIDE AND SMOKE-TIGHT BARRIER.

ALL PRODUCTS AND MATERIALS TO BE USED AND INSTALLED SHALL CONFORM WITH MANUFACTURER'S SPECIFICATIONS & APPLICABLE CODES.

THE CONTRACTOR SHALL BE RESPONSIBLE TO PATCH AND MAKE GOOD ALL EXISTING CONSTRUCTION AFFECTED BY THE REMOVAL OF ALL ITEMS FORMING THE PART OF THE RENOVATION WORK.

WHERE NEW FLOORING AND BASE IS TO BE INSTALLED IN EXISTING AREAS (REFER TO FLOOR PLAN AND ROOM SCHEDULE) THE EXISTING FLOORING SURFACE AND BASE MUST BE REMOVED, UNLESS OTHERWISE NOTED. ALL FLOOR SURFACES SHALL BE PREPARED IN ACCORDANCE TO MANUFACTURER'S RECOMMENDATIONS FOR INSTALLATION OF NEW FLOOR.

WHERE PAINTING OF EXISTING WALLS IS INDICATED ON THE ROOM SCHEDULE, THESE WALLS MUST BE CLEANED OF ANY EXISTING WALL COVERING, PATCHED & PREPARED TO ACCEPT NEW MATERIAL, UNLESS OTHERWISE NOTED.

- LEGEND:**
- NEW EQUIPMENT / PIPING / DUCTWORK
 - - - EXISTING EQUIPMENT / PIPING / DUCTWORK
 - - - - - CONTROLS WIRING
 - SIA SUPPLY AIR
 - RIA RETURN AIR
 - OIA OUTDOOR AIR
 - EIA EXHAUST AIR
 - GS GLYCOL SUPPLY
 - GR GLYCOL RETURN
 - F AIR HANDLING UNIT FAN
 - HRV- HEAT RECOVERY VENTILATOR
 - M- MOTORIZED DAMPER
 - DDC DIRECT DIGITAL CONTROL
 - T TEMPERATURE SENSOR
 - AF AIRFLOW SENSOR

No.	REVISION/DESCRIPTION	BY	DATE
0	ISSUED FOR TENDER		19.08.15



DRAWN	CHECKED	DESIGNED	APPROVED
LHM			
DATE: 19.08.19	USER APPROVAL		

THE CITY OF WINNIPEG
PLANNING, PROPERTY AND
DEVELOPMENT DEPARTMENT
MUNICIPAL ACCOMMODATIONS DIVISION
3-65 GARRY STREET, R3C 4K4

PROJECT
ROOFTOP HEAT RECOVERY
VENTILATOR REPLACEMENT
BONVITAL POOL
1215 ARCHIBALD STREET

SHEET TITLE
MECHANICAL
SCHEMATICS

SCALE	PROJECT No:	SHEET No:
AS SHOWN	19-0107-007	M06

