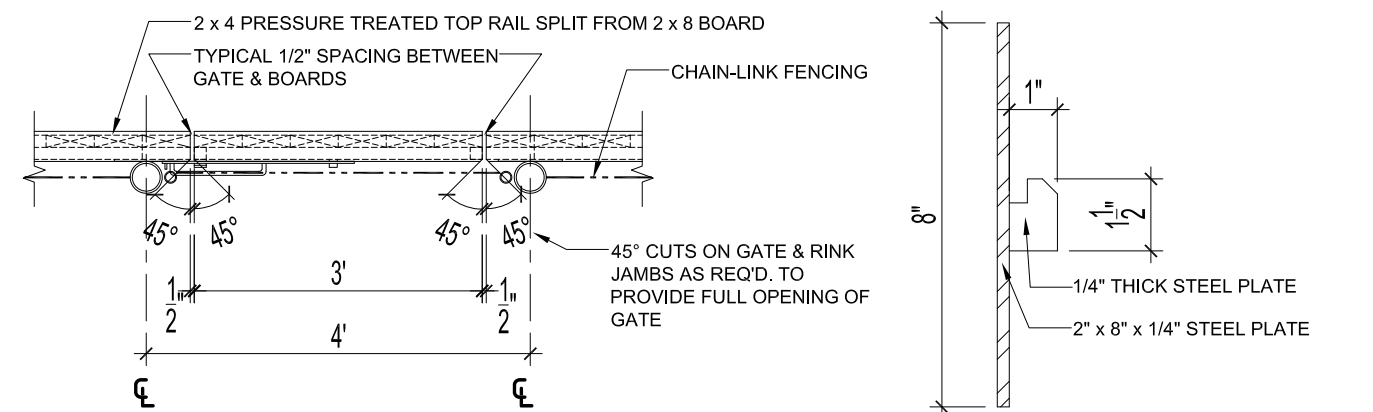
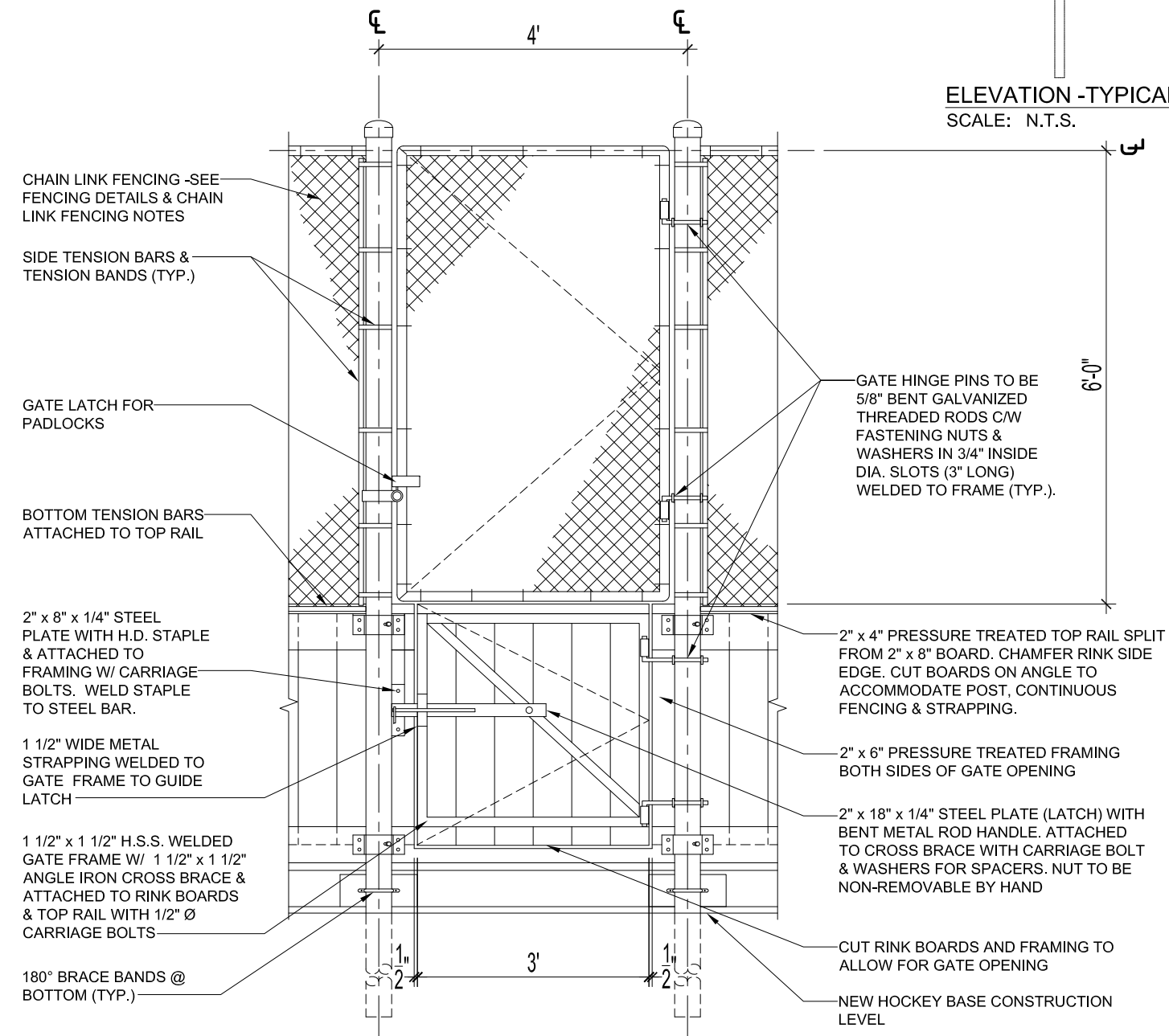
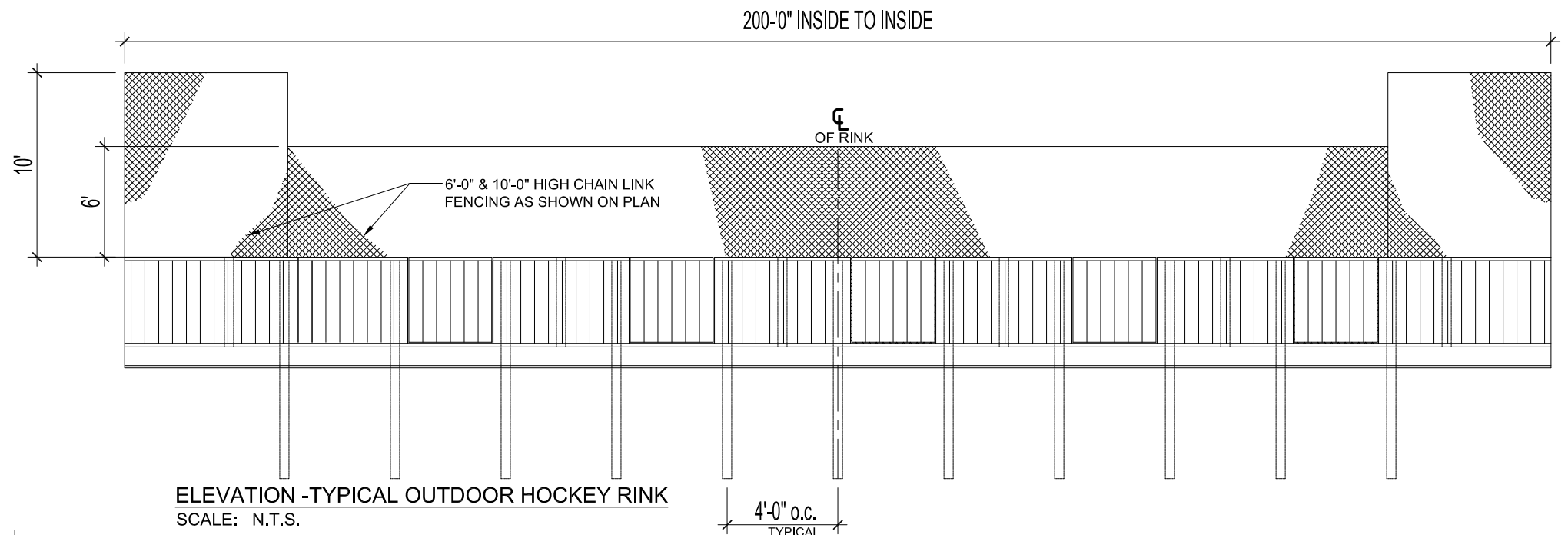


V:\A-CAD\ARCHIVE\SPCS\HOCKEY RINK



THE CITY OF WINNIPEG PLANNING, PROPERTY AND DEVELOPMENT DEPARTMENT MUNICIPAL ACCOMMODATIONS DIVISION 3-65 GARRY STREET, R3C 4K4		SHEET TITLE HOCKEY RINK ELEVATION, ACCESS GATE ELEVATION & GATE DETAILS W/ FENCING		PROJECT WINDSOR COMMUNITY CENTRE OUTDOOR RINK REPLACEMENT 99 SPRINGSIDE DRIVE BID OPP # 717-2019	
DRAWN BY: JKR/MMK/SMD/LMC	DESIGNED BY:	CHECKED BY: B.KAZUN	APPROVED BY: B.KAZUN	DATE: 2019.07.18 eFILE: HOCKEY RINKS_2019.dwg	SCALE: AS SHOWN PROJECT No: 2019-090
					SHEET No: A2