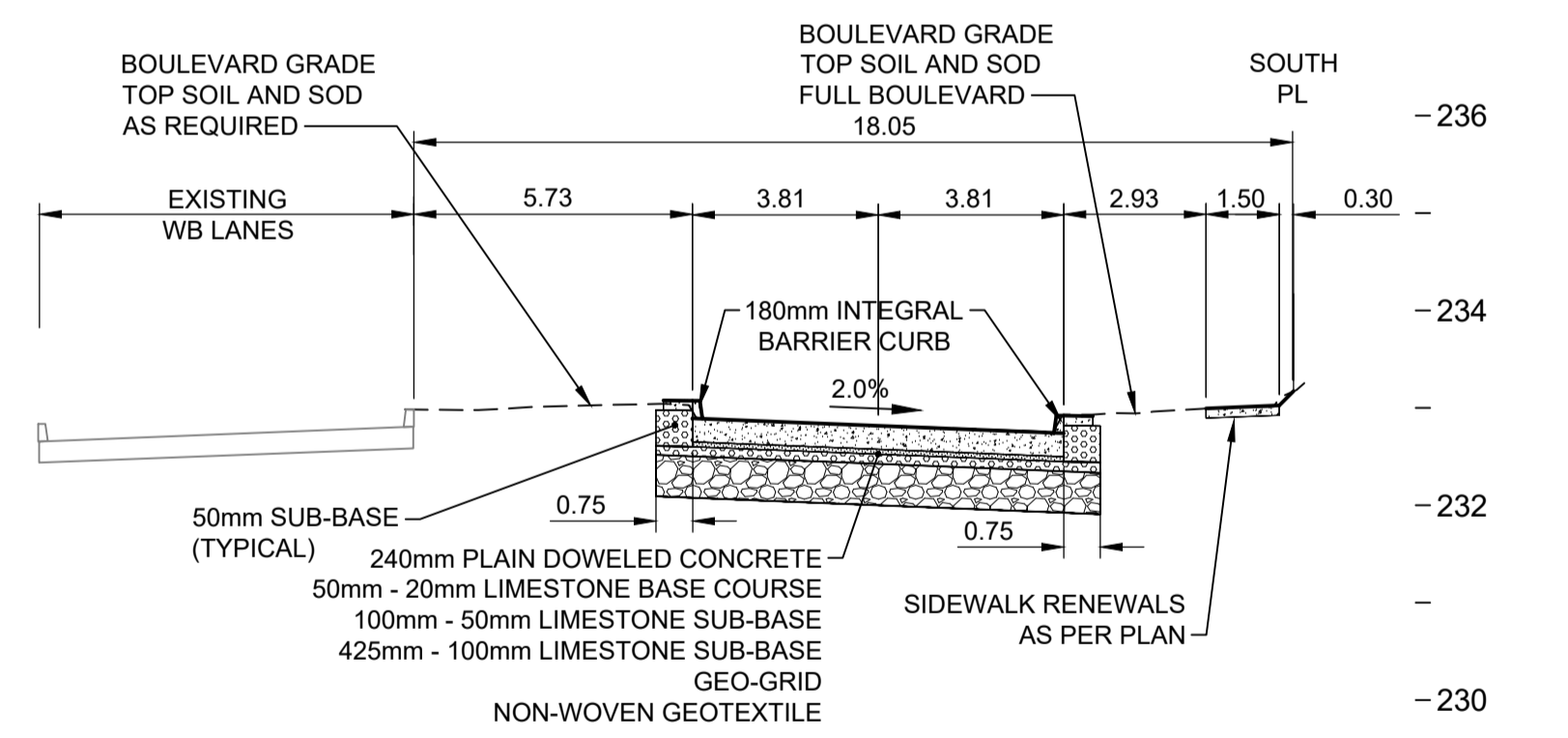
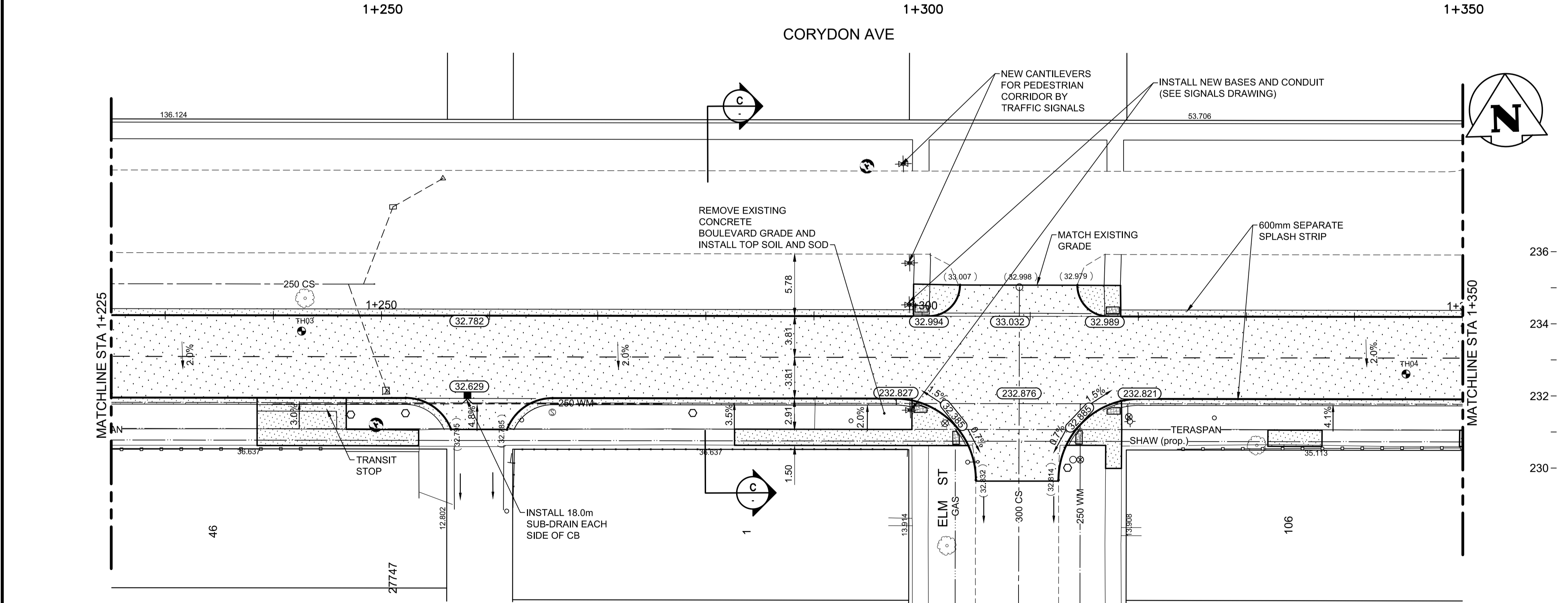


NOTES:

1. ADJUST EXISTING MANHOLES AS REQUIRED.
2. ADJUST EXISTING VALVE AS REQUIRED.
3. FOR CB's LEADS AND UNDERGROUND INFO SEE SHEET 24 TO 29.
4. INSTALL SUB-DRAINS AS PER PLAN DRAWINGS AS PER SD-245 c/w CAPPED ENDS.
5. PRIVATE APPROACHES ARE 200mm REINFORCED CONCRETE WITH 75mm BASE COURSE, 225mm-50mm SUB-BASE AND NON-WOVEN GEOTEXTILE.
6. RETAIN EXISTING SUB-BASE AND REPLACE CONCRETE SLABS ONLY WHERE PUBLIC LANES, MEDIAN OPENINGS, AND LOCAL STREET TIE-INS WERE RECENTLY RECONSTRUCTED, AS DIRECTED BY THE CONTRACT ADMINISTRATOR.
7. REFER TO TENDER SPECIFICATIONS FOR CONSTRUCTION REQUIREMENTS WORKING ON OR NEAR EXISTING GAS MAINS.
8. REFER TO TENDER SPECIFICATIONS FOR CONSTRUCTION REQUIREMENTS FOR WORKING ON OR NEAR EXISTING 900 FEEDERMAIN.
9. BLUE PAVERS INSET IN SIDEWALK AT EACH TRANSIT STOP AND WETSET CLAMP AS PER DETAIL ON SHEET 55.



C SECTION AT STA 1+280
1:150H 1:75V

WARNING

IF POWER EQUIPMENT OR EXPLOSIVES ARE TO BE USED FOR EXCAVATION ON THIS PROJECT THE CONTRACTOR MUST:
 1) NOTIFY THE GAS COMPANY OF THE PROPOSED LOCATION OF EXCAVATION.
 2) TAKE PRECAUTION TO AVOID DAMAGE TO GAS COMPANY INSTALLATIONS.
 SEE PROVINCIAL REGULATION 140/92 FOR DETAILS

METRIC

WHOLE NUMBERS INDICATE MILLIMETRES
 DECIMALIZED NUMBERS INDICATE METRES

EXISTING	PROPOSED	EXISTING	PROPOSED	EXISTING	PROPOSED	EXISTING	PROPOSED
150 WM	150 WM	150 WM	150 WM	HYDRO	M.T.S.	---	---
HYDRANT	HYDRANT	---	---	CONCRETE	CONCRETE	---	---
VALVE	VALVE	---	---	ASPHALT	ASPHALT	---	---
300 LDS	300 LDS	---	---	SIDEWALK	SIDEWALK	---	---
250 WWS	250 WWS	---	---	ASPHALT MILL & FILL	ASPHALT MILL & FILL	---	---
MANHOLE	MANHOLE	---	---	STREET LIGHT	STREET LIGHT	---	---
CATCH BASIN	CATCH BASIN	---	---	HYDRO POLE	HYDRO POLE	---	---
CURB INLET/CATCH PIT	CURB INLET/CATCH PIT	---	---	SURVEY BAR	SURVEY BAR	---	---
TRANSIT STOP	TRANSIT STOP	---	---	ELEVATION	ELEVATION	(31.334)	(32.231)
GAS	GAS	---	---	SIDEWALK RAMP	SIDEWALK RAMP	---	---
PROPERTY LINE	PROPERTY LINE	---	---	---	---	---	---
LEGEND-PLAN	LEGEND-PLAN	LEGEND-PROFILE	LEGEND-PROFILE	LEGEND-PLAN	LEGEND-PLAN	LEGEND-PROFILE	LEGEND-PROFILE

LOCATION APPROVED UNDERGROUND STRUCTURES

SUPV. U/G STRUCTURES COMMITTEE DATE

NOTE:
 LOCATION OF UNDERGROUND STRUCTURES AS SHOWN ARE BASED ON THE BEST INFORMATION AVAILABLE BUT NO GUARANTEE IS GIVEN THAT ALL EXISTING UTILITIES ARE SHOWN OR THAT THE GIVEN LOCATIONS ARE EXACT. CONFIRMATION OF EXISTENCE AND EXACT LOCATION OF ALL SERVICES MUST BE OBTAINED FROM THE INDIVIDUAL UTILITIES BEFORE PROCEEDING WITH CONSTRUCTION.

NO.	REVISIONS	DATE	BY
0	ISSUED FOR TENDER	20.02.14	S.R.S.

Stantec
 500 - 311 Portage Avenue, Winnipeg MB Canada
 www.stantec.com

DESIGNED BY: D.C.P. CHECKED BY: R.K.H.
 DRAWN BY: R.S. APPROVED BY: S.R.S.

HOR. SCALE: 1:250
 VERTICAL: 1:10

RELEASED FOR CONSTRUCTION: DATE

CONSULTANT DRAWING NO. C-203

ENGINEERS GEOSCIENTISTS MANITOBA
 Certificate of Authorization
 Stantec Consulting Ltd.
 No. 1301

THE CITY OF WINNIPEG
 PUBLIC WORKS DEPARTMENT
 ENGINEERING DIVISION

2019-2023 STAFFORD/TAYLOR/CORYDON
 TENDER 1
 CORYDON AVENUE
 STA 1+225 TO STA 1+350
 ROADWORKS - RECONSTRUCTION

SHEET 8 OF 55
 CAD FILE DRAWING NUMBER 08020c-201-932.dwg
 CITY DRAWING NUMBER P-3524-08