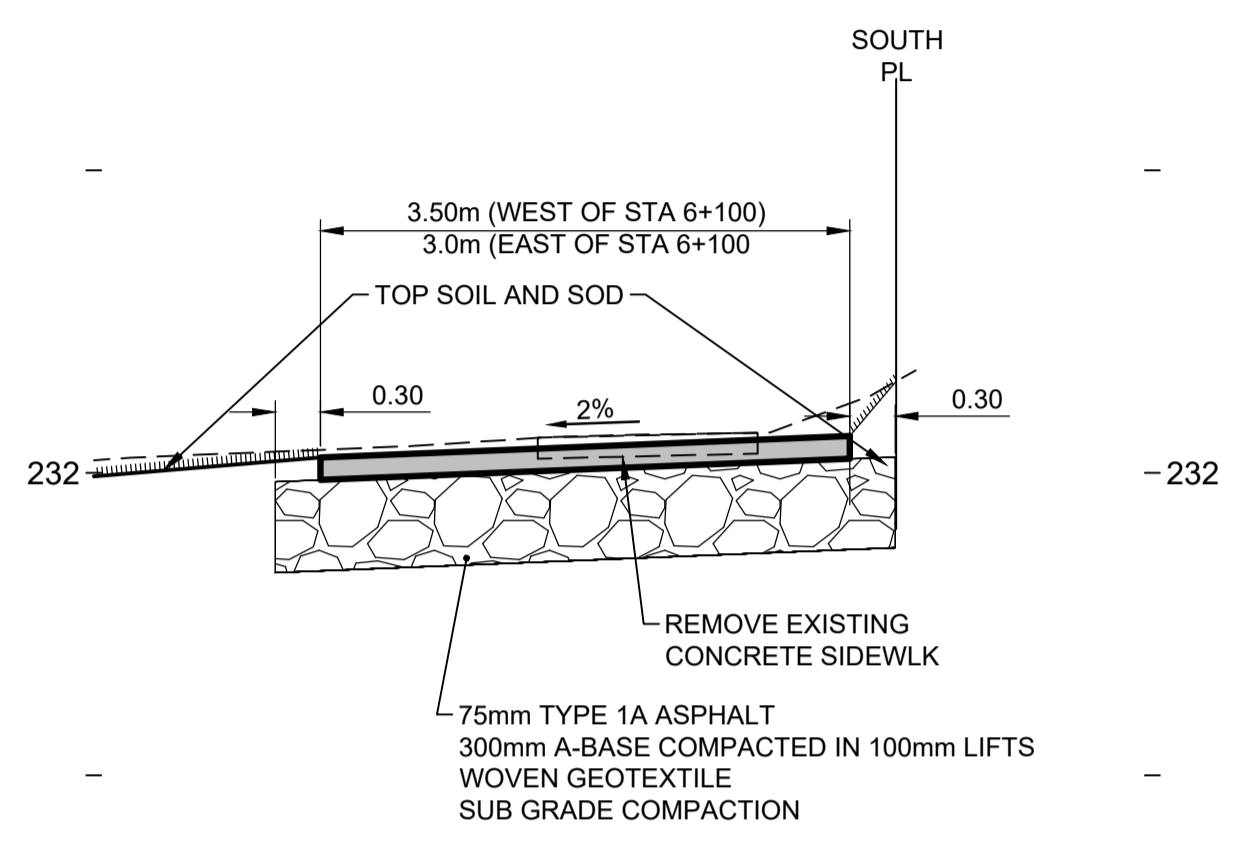
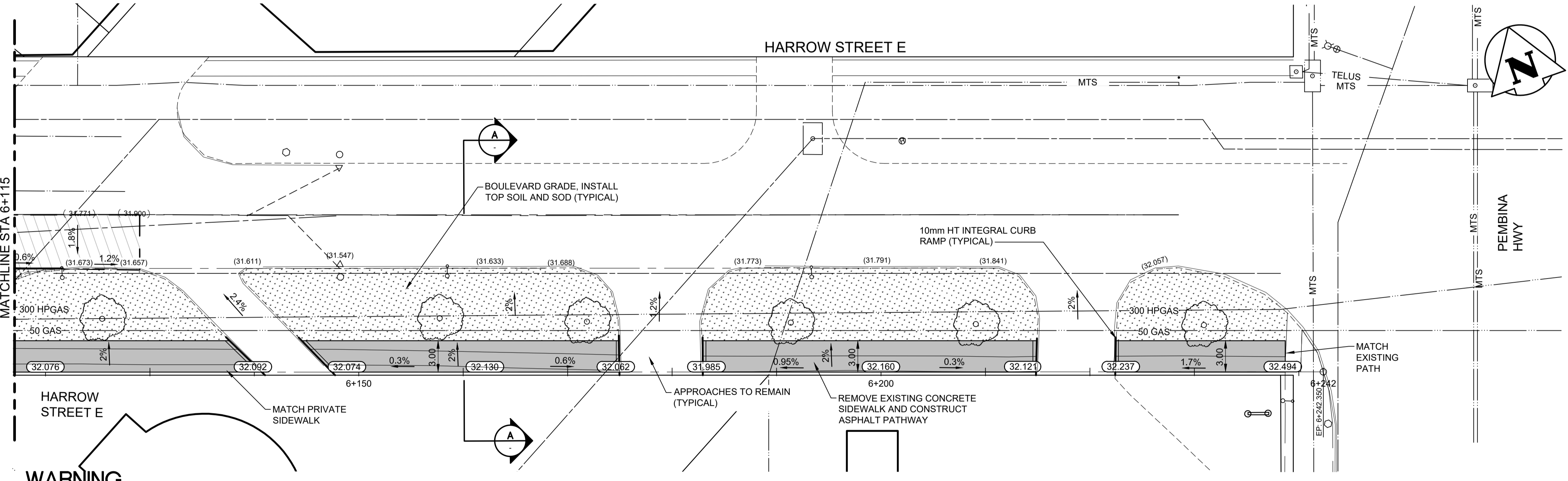


NOTES:  
1. ADJUST WATER VALVES AS REQUIRED.



A SECTION AT STA 6+160  
1:50H 1:25V



**WARNING**

IF POWER EQUIPMENT OR EXPLOSIVES ARE TO BE USED FOR EXCAVATION ON THIS PROJECT THE CONTRACTOR MUST:  
1) NOTIFY THE GAS COMPANY OF THE PROPOSED LOCATION OF EXCAVATION.  
2) TAKE PRECAUTION TO AVOID DAMAGE TO GAS COMPANY INSTALLATIONS.  
SEE PROVINCIAL REGULATION 140/92 FOR DETAILS

**METRIC**  
WHOLE NUMBERS INDICATE MILLIMETRES  
DECIMALIZED NUMBERS INDICATE METRES

**ENGINEERS GEOSCIENTISTS MANITOBA**  
Certificate of Authorization  
Stantec Consulting Ltd.  
No. 1301

150 WM	WATERMAIN	150 WM	HYDRO			
HYDRANT		HYDRO				
VALVE		M.T.S.				
CONCRETE		CONCRETE				
ASPHALT		ASPHALT				
SIDEWALK		SIDEWALK				
ASPHALT MILL & FILL		ASPHALT MILL & FILL				
STREET LIGHT		STREET LIGHT				
HYDRO POLE		HYDRO POLE				
SURVEY BAR		SURVEY BAR				
ELEVATION	(31.334)	ELEVATION	(32.231)			
SIDEWALK RAMP		SIDEWALK RAMP				
EXISTING	LEGEND-PLAN	PROPOSED	EXISTING	LEGEND-PROFILE	PROPOSED	

**LOCATION APPROVED UNDERGROUND STRUCTURES**  
SUPV. U/G STRUCTURES COMMITTEE DATE  
NOTE: LOCATION OF UNDERGROUND STRUCTURES AS SHOWN ARE BASED ON THE BEST INFORMATION AVAILABLE BUT NO GUARANTEE IS GIVEN THAT ALL EXISTING UTILITIES ARE SHOWN OR THAT THE GIVEN LOCATIONS ARE EXACT. CONFIRMATION OF EXISTENCE AND EXACT LOCATION OF ALL SERVICES MUST BE OBTAINED FROM THE INDIVIDUAL UTILITIES BEFORE PROCEEDING WITH CONSTRUCTION.

B.M. ELEV.			
NO.	ISSUED FOR TENDER	DATE	BY
0		20.02.14	S.R.S.
	REVISIONS	DATE	BY

**Stantec**  
300 - 311 Portage Avenue, Winnipeg MB Canada  
www.stantec.com

DESIGNED BY	R.K.H.	CHECKED BY	S.R.S.
DRAWN BY	M.K.	APPROVED BY	S.R.S.
HOR. SCALE:	1:250	RELEASED FOR CONSTRUCTION:	
VERTICAL:		DATE	2019/10/16

ENGINEER'S SEAL  
**PRELIMINARY DRAWING**  
NOT TO BE USED FOR CONSTRUCTION  
CONSULTANT DRAWING NO. C-114

**THE CITY OF WINNIPEG**  
PUBLIC WORKS DEPARTMENT  
ENGINEERING DIVISION

2019-2023 STAFFORD/TAYLOR/CORYDON  
TENDER 1  
HARROW STREET E BIKE FACILITY  
AND HARROW STREET WEST  
HORIZONTAL GEOMETRY & GRADING

SHEET OF	52 OF 55
CAD FILE DRAWING NUMBER	08020c-114-932.dwg
CITY DRAWING NUMBER	P-3525-10

U:\11\376820\0300\_drawing\0302\_sheel1\_files\02\_civil\tender\08020c-114-932.dwg