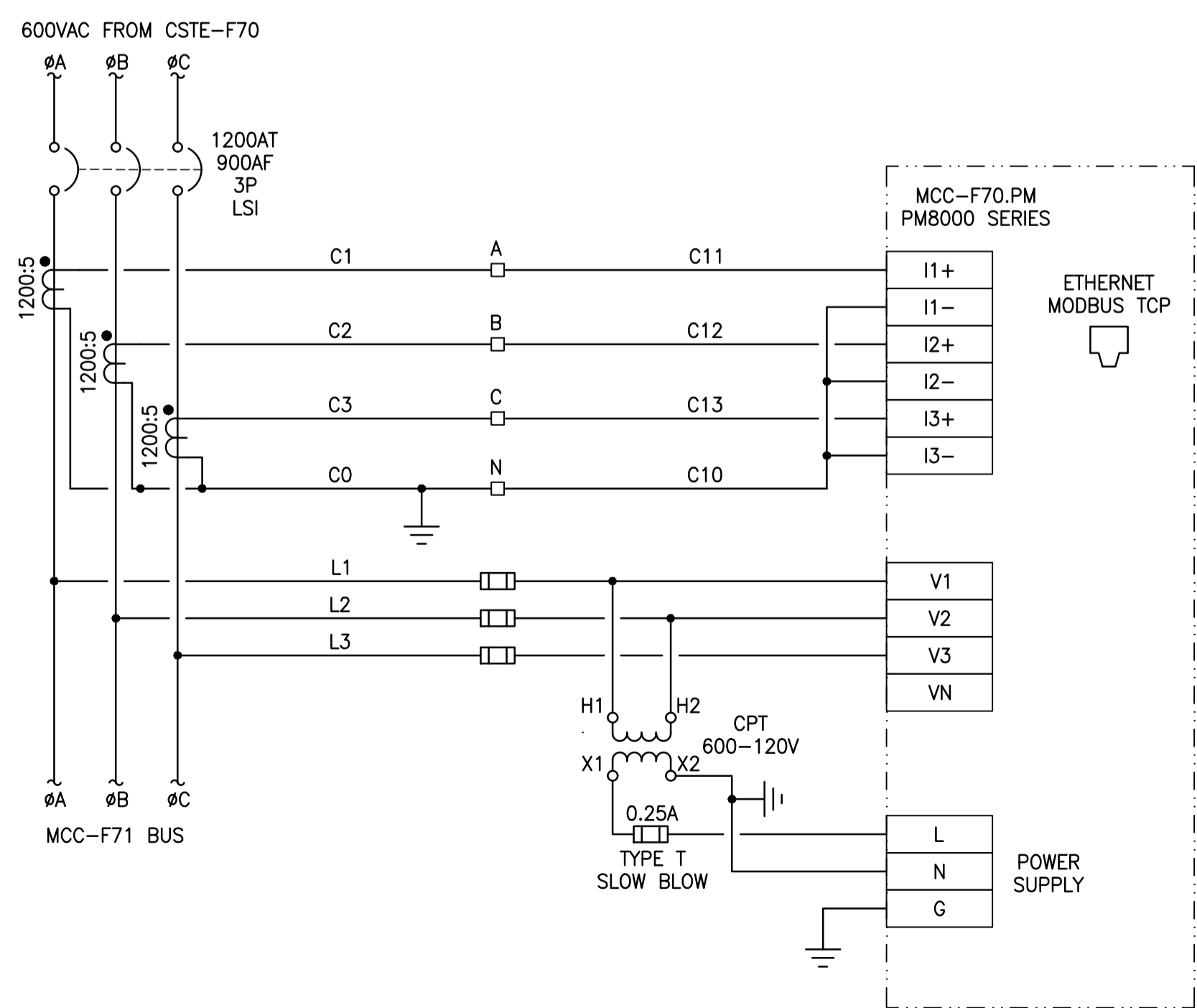
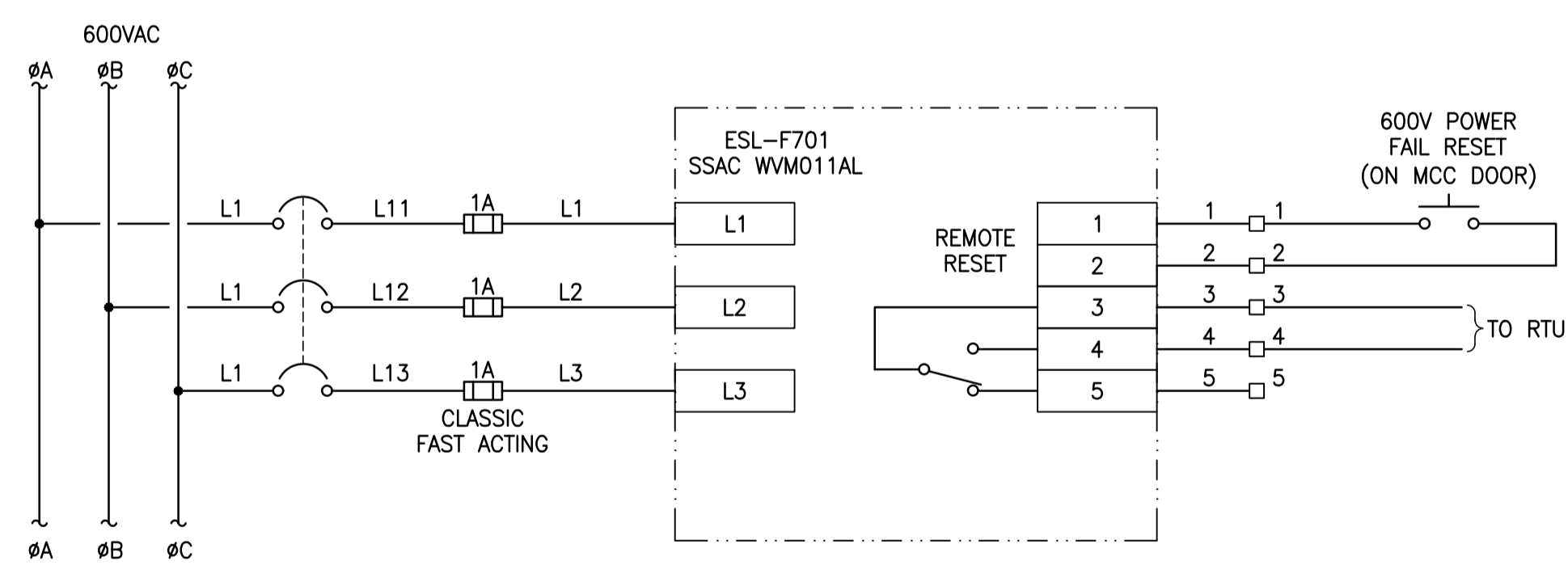


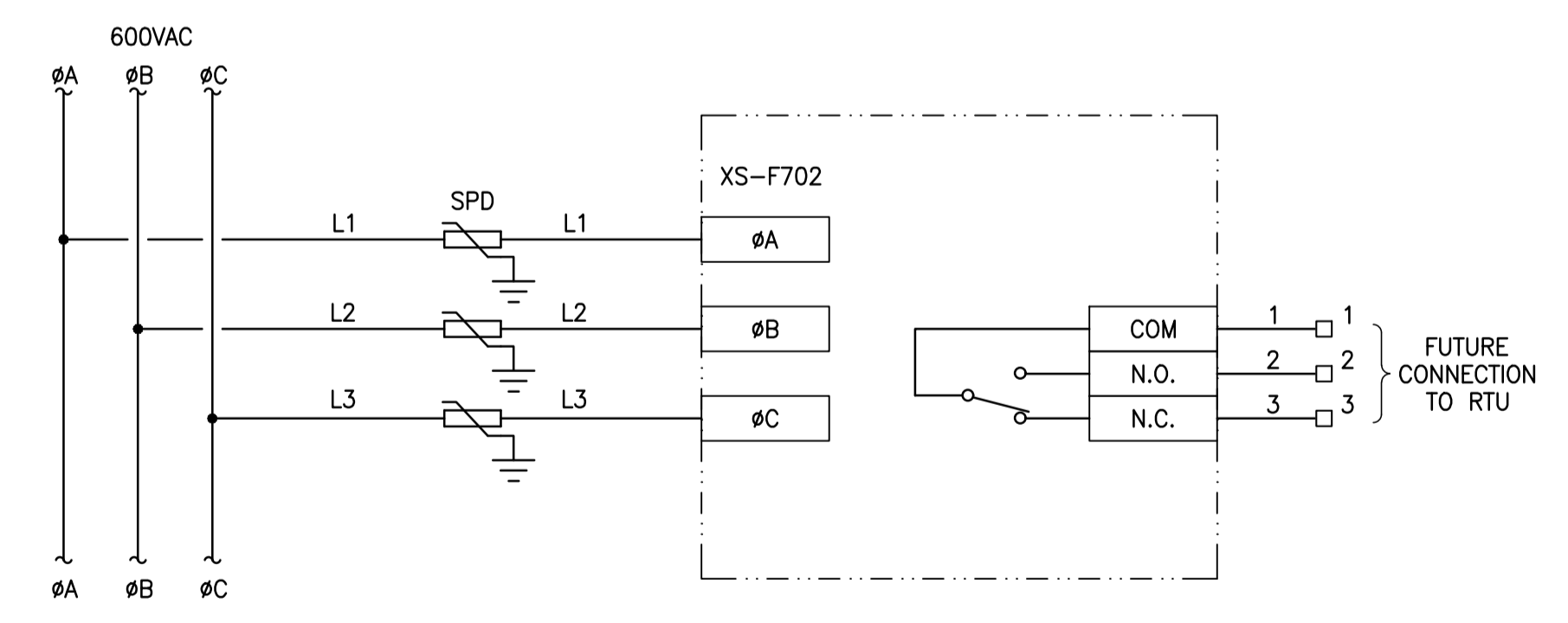
1 MCC - F70 ELEVATION
 SCALE: 1:10mm (24"x36")



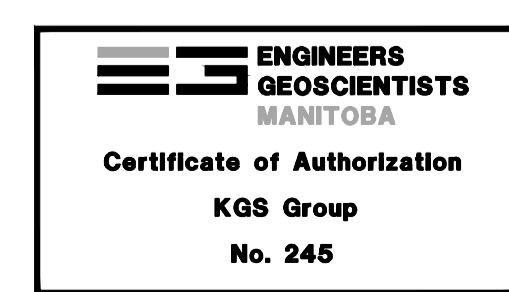
2 MCC - F70 POWER METER
 SCALE : N.T.S.



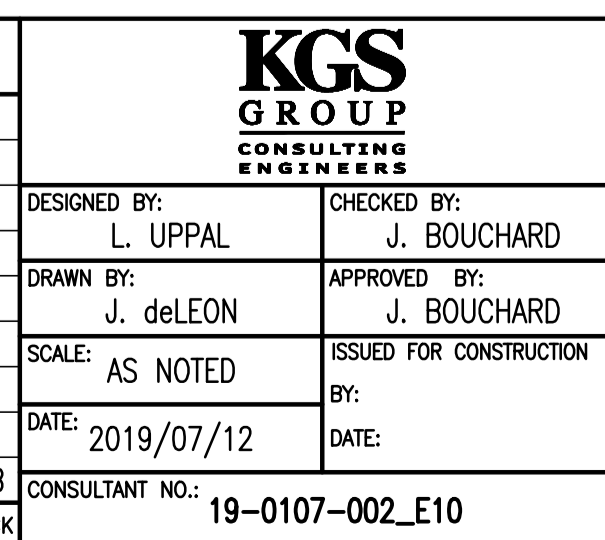
3 ESL-F701 POWER FAILURE RELAY
 SCALE : N.T.S.



4 XS-F702 SURGE PROTECTION DEVICE
 SCALE : N.T.S.



B.M. ELEV.	-				
DESIGNED BY:	L. UPPAL	CHECKED BY:	J. BOUCHARD		
DRAWN BY:	J. deLEON	APPROVED BY:	J. BOUCHARD		
SCALE:	AS NOTED	ISSUED FOR CONSTRUCTION BY:			
DATE:	2019/07/12	DATE:			
CONSULTANT NO.:	19-0107-002_E10				
NO. REVISIONS		DATE	DESIGN	CHECK	
00	ISSUED FOR TENDER AND CONSTRUCTION	2019/07/12	LU	JAB	



ENGINEER'S SEAL

THE CITY OF WINNIPEG
 WATER AND WASTE DEPARTMENT

CLIFTON FLOOD PUMPING STATION UPGRADES

ELECTRICAL
 MCC ELEVATION AND DETAILS

CITY DRAWING NUMBER	SHEET	REV.	SIZE
1-0125F-E0011-001	00		A1