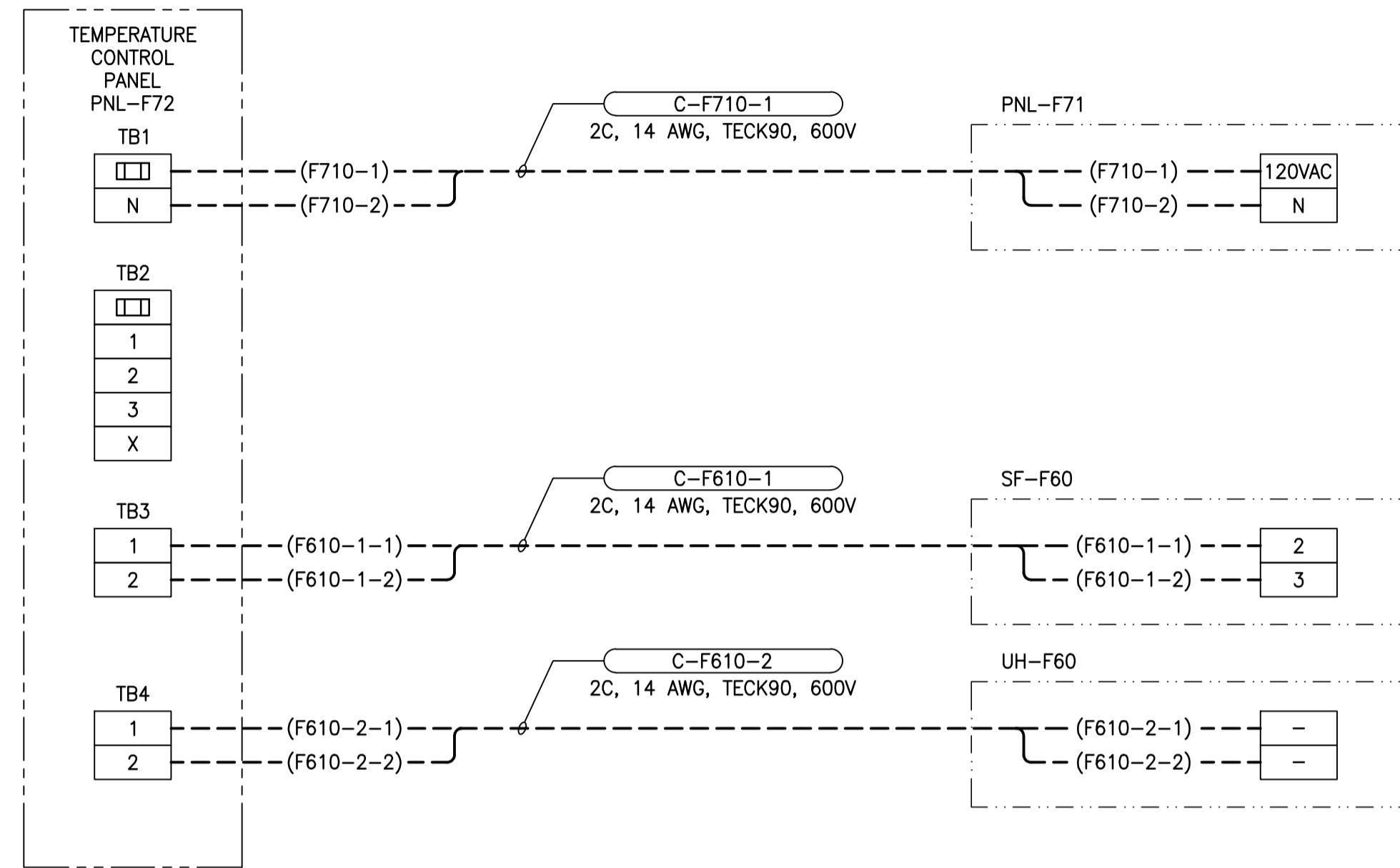


1 SCHEMATIC DIAGRAM
SCALE: N.T.S.



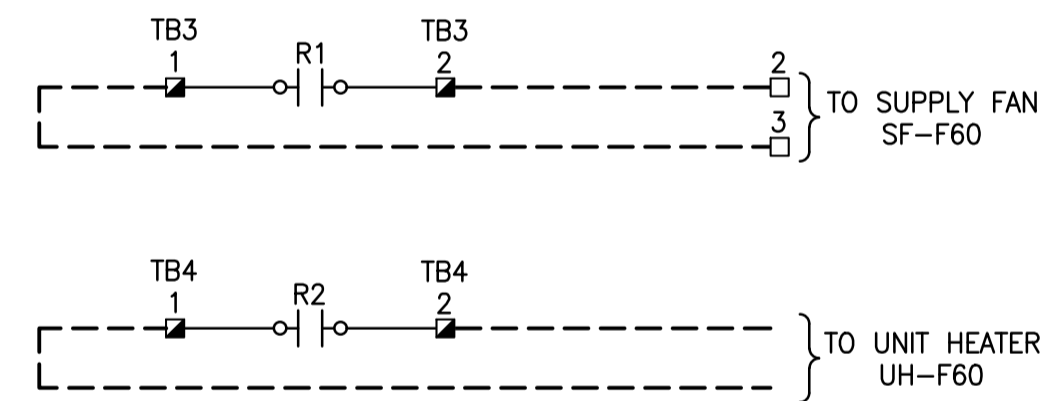
2 WIRING DIAGRAM
SCALE: N.T.S.

NOTES:

1. -

LEGEND:

- FIELD WIRING
- MANUFACTURER WIRING
- TEMPERATURE RELAY PANEL TERMINAL
- STARTER TERMINAL
- ⊕ R ⊖ CONTACTOR COIL
- ⊕ ⊖ NORMALLY OPEN



B.M.	-
ELEV.	-
NO.	REVISIONS
00	ISSUED FOR TENDER AND CONSTRUCTION
DATE	2019/07/12
DESIGN	LU
CHECK	JAB

KGS GROUP CONSULTING ENGINEERS	
DESIGNED BY: L. UPPAL	CHECKED BY: J. BOUCHARD
DRAWN BY: J. deLEON	APPROVED BY: J. BOUCHARD
SCALE: AS NOTED	ISSUED FOR CONSTRUCTION BY: DATE: 2019/07/12
CONSULTANT NO.: 19-0107-002_E12.1	

ENGINEER'S SEAL

THE CITY OF WINNIPEG
WATER AND WASTE DEPARTMENT

CLIFTON FLOOD PUMPING STATION UPGRADES

ELECTRICAL
PNL-F72
SCHEMATIC AND WIRING DIAGRAM

CITY DRAWING NUMBER 1-0125F-E0013-001	SHEET 00	REV. 00	SIZE A1
---	--------------------	-------------------	-------------------