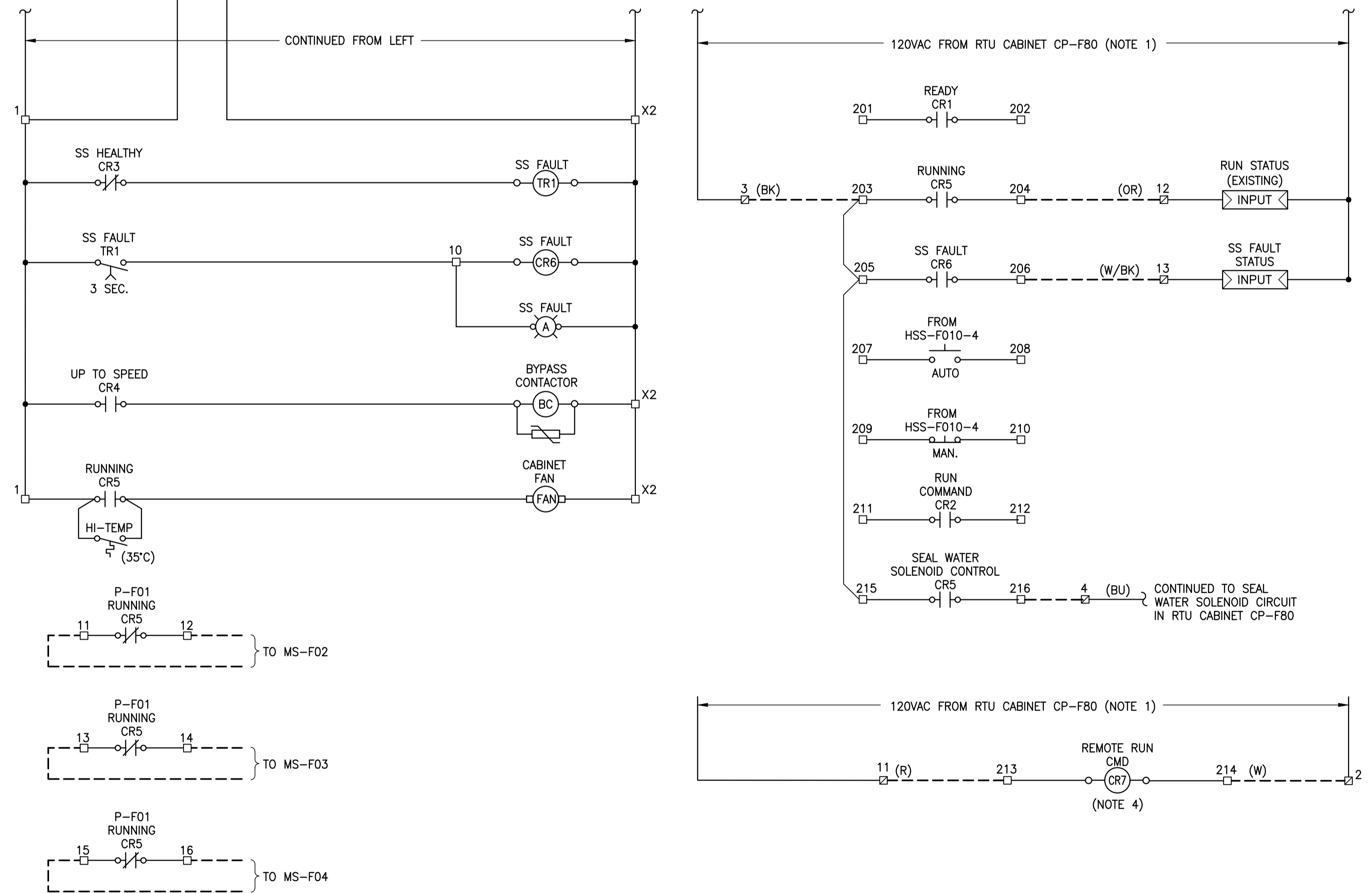


- NOTES:**
- COORDINATE RTU CONNECTION POINTS WITH CITY OF WINNIPEG.
 - RTU PROGRAMMING SHALL BE PROVIDED BY CITY OF WINNIPEG.
 - GROUP AND SPACE TERMINALS AND WIRING SEPARATELY FOR 120VAC STARTER TERMINALS, 200 SERIES TERMINALS, AND 300 SERIES TERMINALS.
 - PROVIDE RELAY BASE SUITABLE FOR 120VAC COIL AND 24VDC COIL TO PERMIT RELAY REPLACEMENT WITHOUT REPLACING RELAY BASE.
 - CONTACTS AND SWITCHES CONNECTED TO THE 200 SERIES TERMINALS SHALL BE SUITABLE FOR 120VAC AND 24VDC.
 - CONTRACTOR SHALL PROVIDE A WARNING LABEL THAT STATES 'WARNING - MORE THAN ONE VOLTAGE SOURCE PRESENT WITHIN STARTER'.

- NOTES:**
- FIELD WIRING
 - MANUFACTURER WIRING
 - STARTER TERMINAL
 - RVS TERMINAL
 - RTU TERMINAL



DESIGNED BY: L. UPPAL DRAWN BY: J. deLEON SCALE: AS NOTED		CHECKED BY: J. BOUCHARD APPROVED BY: J. BOUCHARD ISSUED FOR CONSTRUCTION DATE: 2019/07/12	
01 RE-ISSUED FOR TENDER AND CONSTRUCTION 2019/07/18 LU JAB 00 ISSUED FOR TENDER AND CONSTRUCTION 2019/07/12 LU JAB		CONSULTANT NO.: 19-0107-002_E13.1	
ENGINEERS GEOSCIENTISTS MANITOBA Certificate of Authorization KGS Group No. 245		CITY DRAWING NUMBER: 1-0125F-E0015-001 SHEET: 1 REV: 01 SIZE: A1	