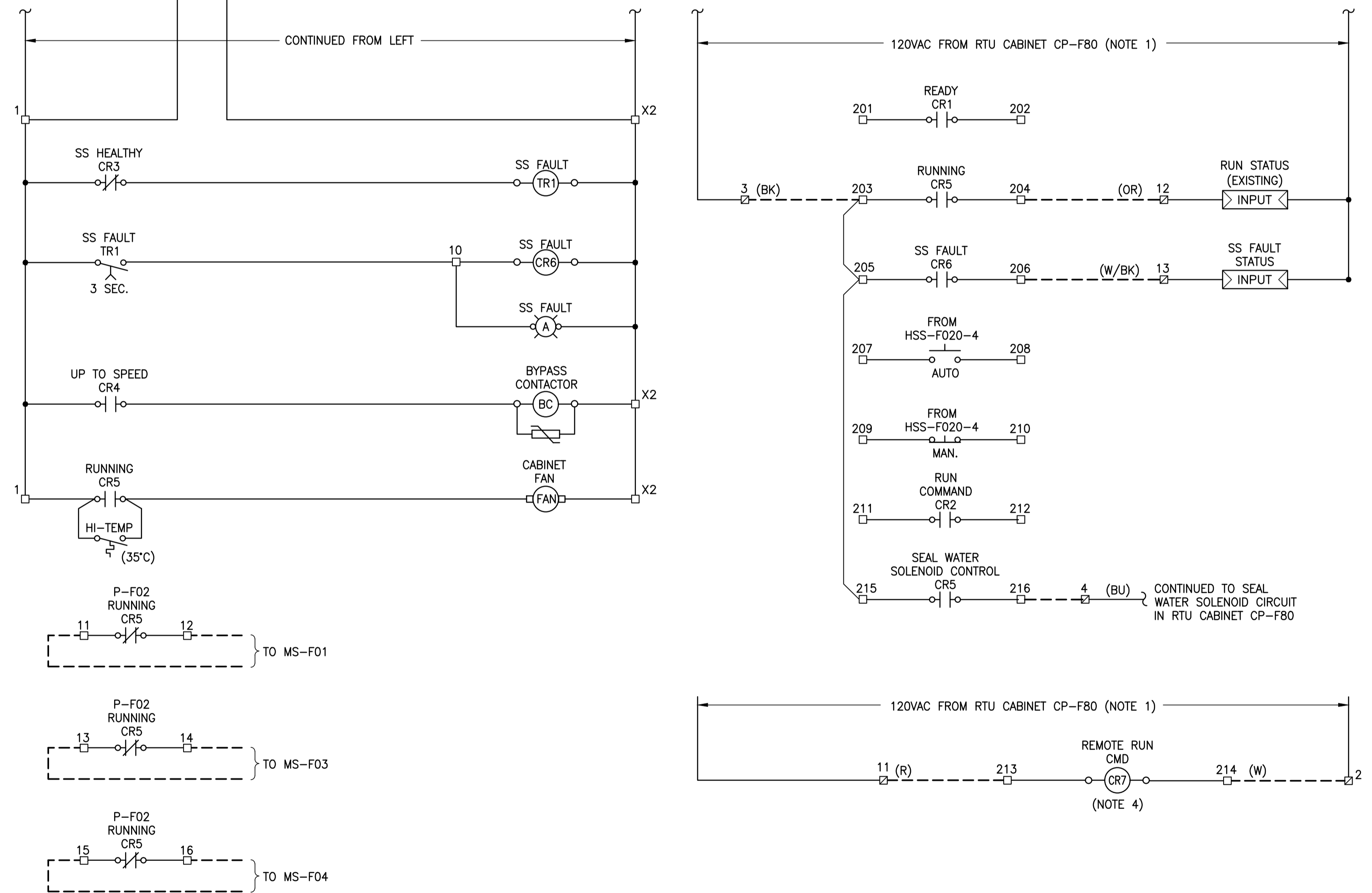


- NOTES:**
- COORDINATE RTU CONNECTION POINTS WITH CITY OF WINNIPEG.
 - RTU PROGRAMMING SHALL BE PROVIDED BY CITY OF WINNIPEG.
 - GROUP AND SPACE TERMINALS AND WIRING SEPARATELY FOR 120VAC STARTER TERMINALS, 200 SERIES TERMINALS, AND 300 SERIES TERMINALS.
 - PROVIDE RELAY BASE SUITABLE FOR 120VAC COIL AND 24VDC COIL TO PERMIT RELAY REPLACEMENT WITHOUT REPLACING RELAY BASE.
 - CONTACTS AND SWITCHES CONNECTED TO THE 200 SERIES TERMINALS SHALL BE SUITABLE FOR 120VAC AND 24VDC.
 - CONTRACTOR SHALL PROVIDE A WARNING LABEL THAT STATES 'WARNING - MORE THAN ONE VOLTAGE SOURCE PRESENT WITHIN STARTER'.

- NOTES:**
- FIELD WIRING
 - MANUFACTURER WIRING
 - STARTER TERMINAL
 - RVS TERMINAL
 - RTU TERMINAL



DESIGNED BY: L. UPPAL CHECKED BY: J. BOUCHARD		CLIFTON FLOOD PUMPING STATION UPGRADES ELECTRICAL MOTOR STARTER SCHEMATIC MS-F02 FLOOD PUMP SHT. 1	
DRAWN BY: J. deLEON APPROVED BY: J. BOUCHARD		CITY DRAWING NUMBER: 1-0125F-E0017-001 SHEET: 1 REV: 01 SIZE: A1	
SCALE: AS NOTED DATE: 2019/07/12		CONSULTANT NO.: 19-0107-002_E14.1	
01 RE-ISSUED FOR TENDER AND CONSTRUCTION 2019/07/18 LU JAB		PLOT DATE: Jul 18, 2019 - 2:59pm FILE NAME: 19-0107-002_E14.1.dwg	
00 ISSUED FOR TENDER AND CONSTRUCTION 2019/07/12 LU JAB			

