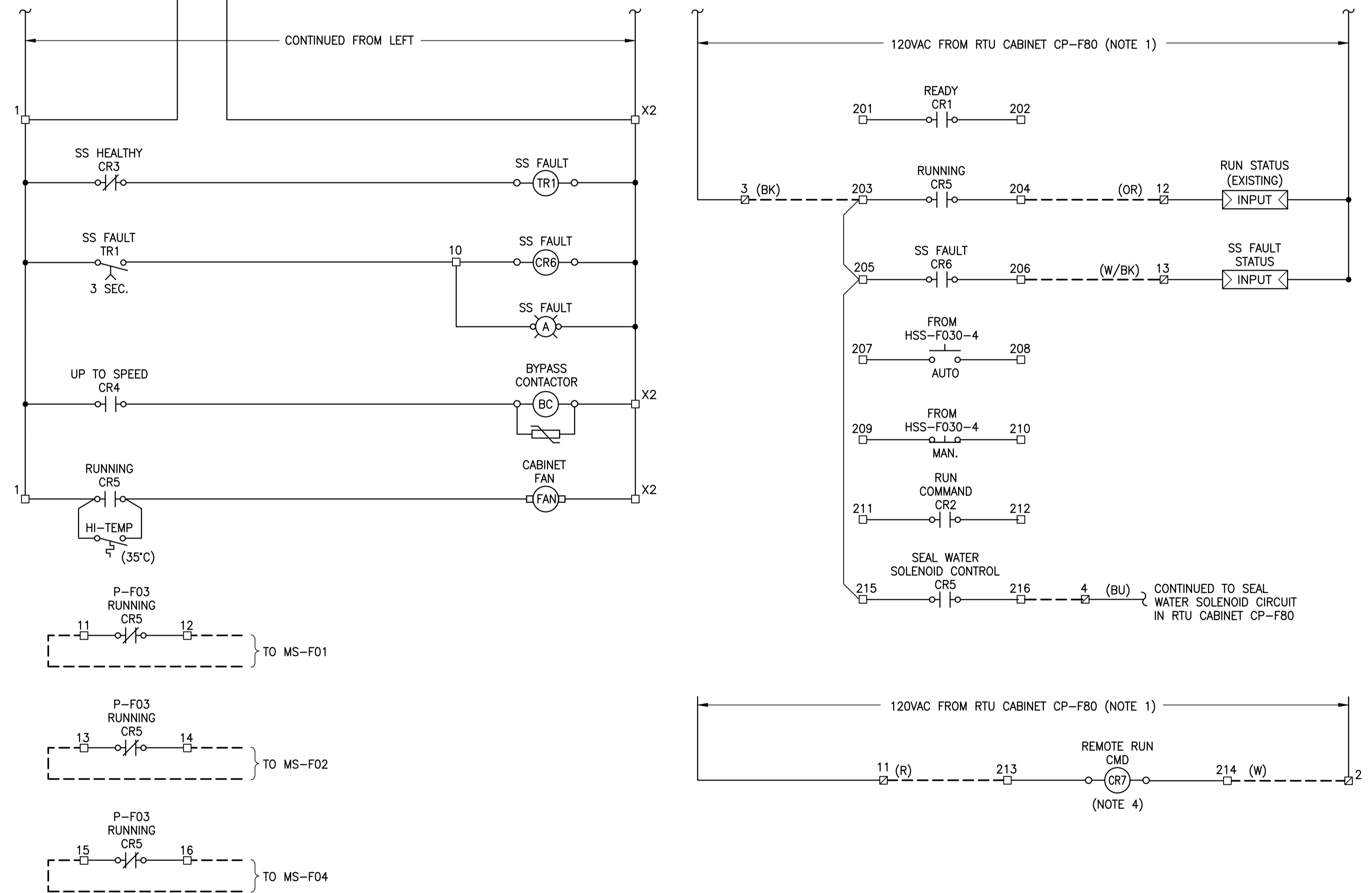


- NOTES:**
- COORDINATE RTU CONNECTION POINTS WITH CITY OF WINNIPEG.
  - RTU PROGRAMMING SHALL BE PROVIDED BY CITY OF WINNIPEG.
  - GROUP AND SPACE TERMINALS AND WIRING SEPARATELY FOR 120VAC STARTER TERMINALS, 200 SERIES TERMINALS, AND 300 SERIES TERMINALS.
  - PROVIDE RELAY BASE SUITABLE FOR 120VAC COIL AND 24VDC COIL TO PERMIT RELAY REPLACEMENT WITHOUT REPLACING RELAY BASE.
  - CONTACTS AND SWITCHES CONNECTED TO THE 200 SERIES TERMINALS SHALL BE SUITABLE FOR 120VAC AND 24VDC.
  - CONTRACTOR SHALL PROVIDE A WARNING LABEL THAT STATES 'WARNING - MORE THAN ONE VOLTAGE SOURCE PRESENT WITHIN STARTER'.

- NOTES:**
- FIELD WIRING
  - MANUFACTURER WIRING
  - STARTER TERMINAL
  - RVS TERMINAL
  - RTU TERMINAL



B.M. - ELEV. -				ENGINEER'S SEAL	
DESIGNED BY: L. UPPAL		CHECKED BY: J. BOUCHARD		THE CITY OF WINNIPEG WATER AND WASTE DEPARTMENT <b>CLIFTON FLOOD PUMPING STATION UPGRADES</b> ELECTRICAL MOTOR STARTER SCHEMATIC MS-F03 FLOOD PUMP SHT. 1	
DRAWN BY: J. deLEON		APPROVED BY: J. BOUCHARD			
SCALE: AS NOTED		ISSUED FOR CONSTRUCTION			
DATE: 2019/07/12		DATE:			
NO. REVISIONS		DATE DESIGN/CHECK		CONSULTANT NO.: 19-0107-002_E15.1	
01 RE-ISSUED FOR TENDER AND CONSTRUCTION 2019/07/18 LU JAB				CITY DRAWING NUMBER	
00 ISSUED FOR TENDER AND CONSTRUCTION 2019/07/12 LU JAB				1-0125F-E0019-001	
				SHEET REV. SIZE	
				1 01 A1	

PLOT DATE: Jul 18, 2019 - 3:00pm FILE NAME: 19-0107-002\_E15.1.dwg

