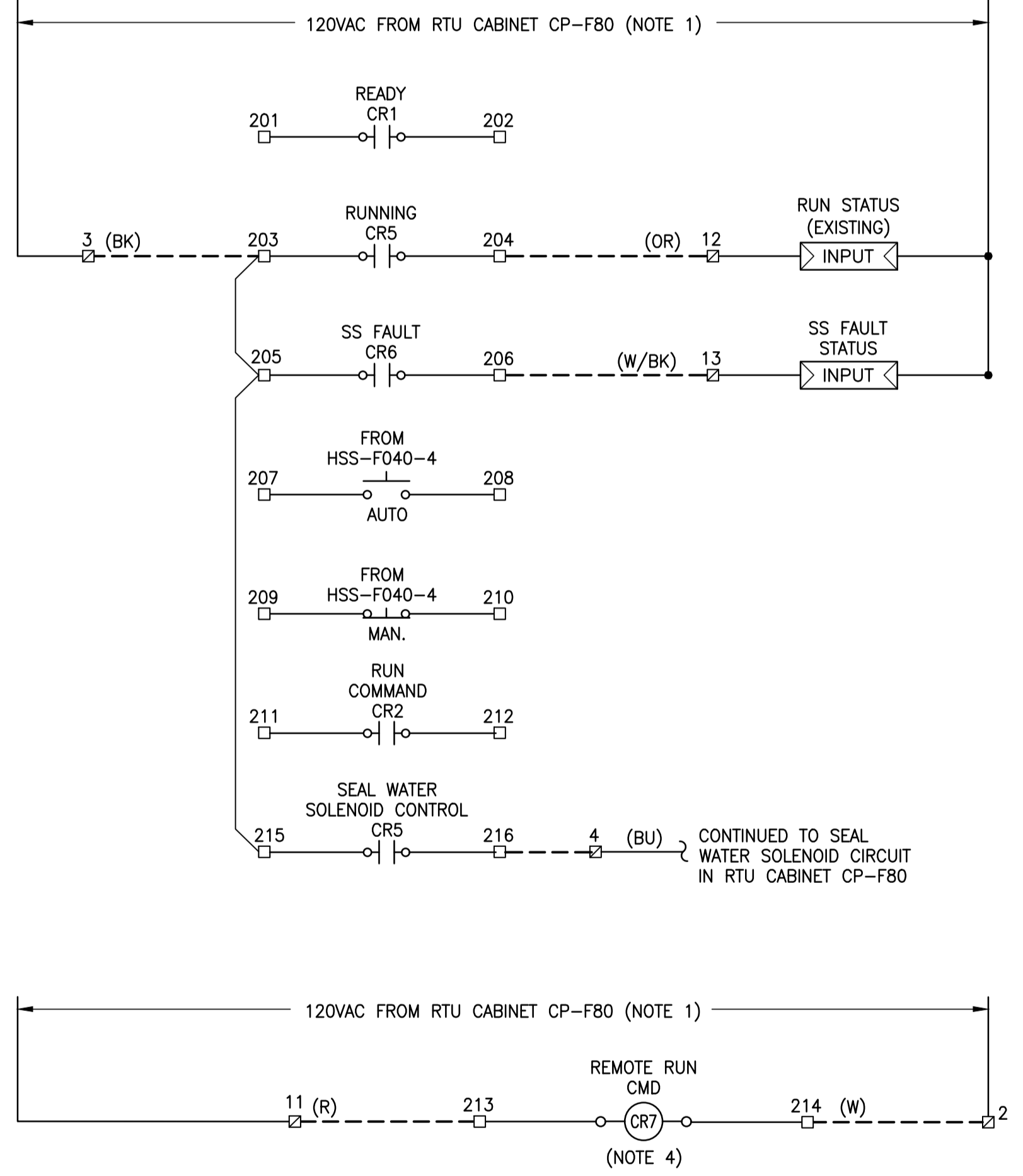
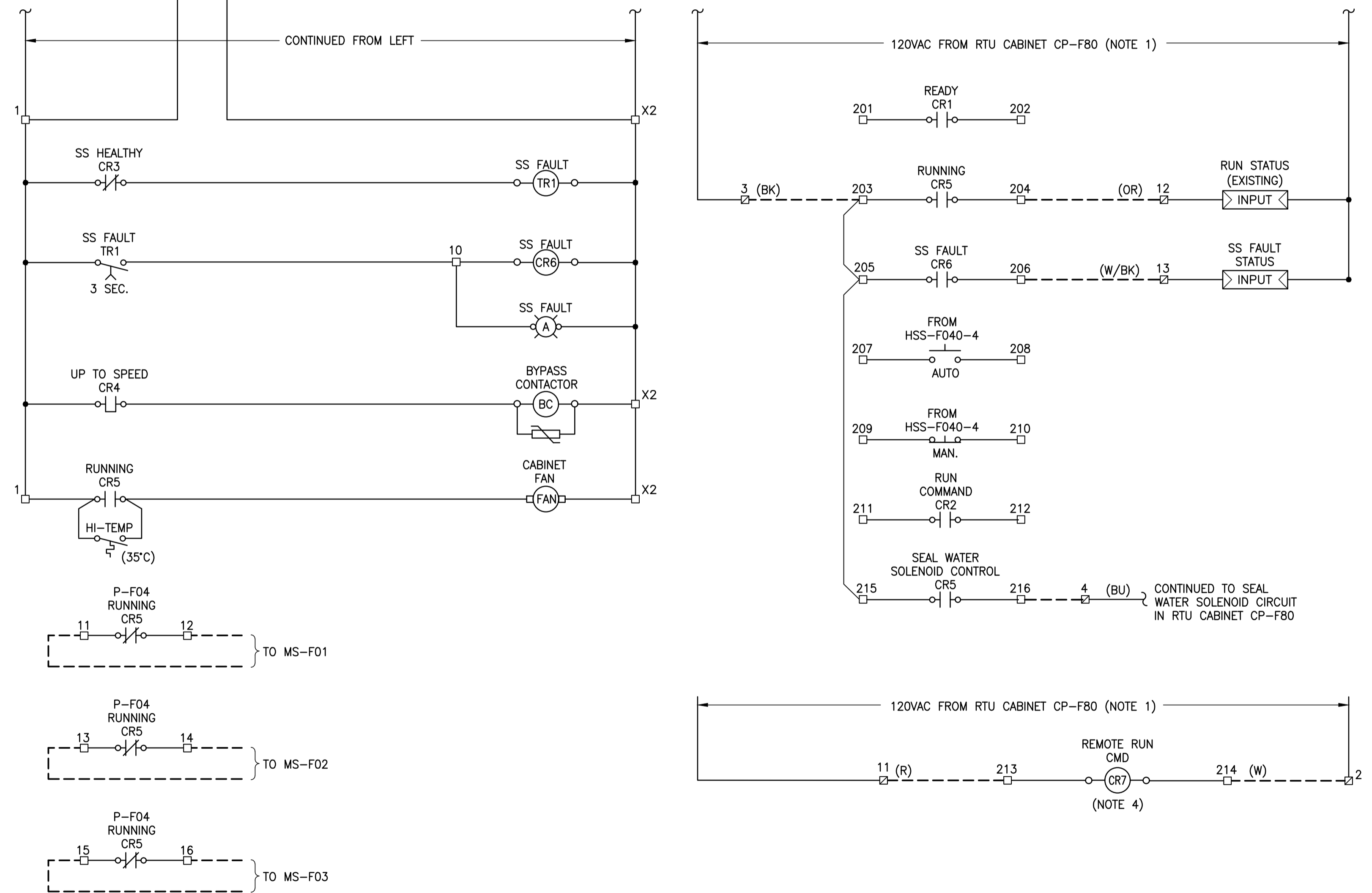


- NOTES:**
- COORDINATE RTU CONNECTION POINTS WITH CITY OF WINNIPEG.
  - RTU PROGRAMMING SHALL BE PROVIDED BY CITY OF WINNIPEG.
  - GROUP AND SPACE TERMINALS AND WIRING SEPARATELY FOR 120VAC STARTER TERMINALS, 200 SERIES TERMINALS, AND 300 SERIES TERMINALS.
  - PROVIDE RELAY BASE SUITABLE FOR 120VAC COIL AND 24VDC COIL TO PERMIT RELAY REPLACEMENT WITHOUT REPLACING RELAY BASE.
  - CONTACTS AND SWITCHES CONNECTED TO THE 200 SERIES TERMINALS SHALL BE SUITABLE FOR 120VAC AND 24VDC.
  - CONTRACTOR SHALL PROVIDE A WARNING LABEL THAT STATES 'WARNING - MORE THAN ONE VOLTAGE SOURCE PRESENT WITHIN STARTER'.

- NOTES:**
- FIELD WIRING
  - MANUFACTURER WIRING
  - STARTER TERMINAL
  - RVS TERMINAL
  - RTU TERMINAL
  - LOCK-OUT RELAY PANEL TERMINAL



<p><b>KGS GROUP</b> CONSULTING ENGINEERS</p>		<p>ENGINEER'S SEAL</p>	
<p>DESIGNED BY: L. UPPAL</p>		<p>CHECKED BY: J. BOUCHARD</p>	
<p>DRAWN BY: J. deLEON</p>		<p>APPROVED BY: J. BOUCHARD</p>	
<p>SCALE: AS NOTED</p>		<p>ISSUED FOR CONSTRUCTION</p>	
<p>DATE: 2019/07/12</p>		<p>BY:</p>	
<p>CONSULTANT NO.: 19-0107-002_E16.1</p>		<p>DATE:</p>	

<p>THE CITY OF WINNIPEG WATER AND WASTE DEPARTMENT</p>	
<p>CLIFTON FLOOD PUMPING STATION UPGRADES ELECTRICAL MOTOR STARTER SCHEMATIC MS-F04 FLOOD PUMP SHT. 1</p>	
<p>CITY DRAWING NUMBER 1-0125F-E0021-001</p>	<p>SHEET REV. SIZE 1 01 A1</p>

<p>ENGINEERS GEOSCIENTISTS MANITOBA Certificate of Authorization KGS Group No. 245</p>	
--	--

NO.	REVISIONS	DATE	DESIGN	CHECK
01	RE-ISSUED FOR TENDER AND CONSTRUCTION	2019/07/18	LU	JAB
00	ISSUED FOR TENDER AND CONSTRUCTION	2019/07/12	LU	JAB

PLOT DATE: Jul 18, 2019 - 3:01pm FILE NAME: 19-0107-002\_E16.1.dwg