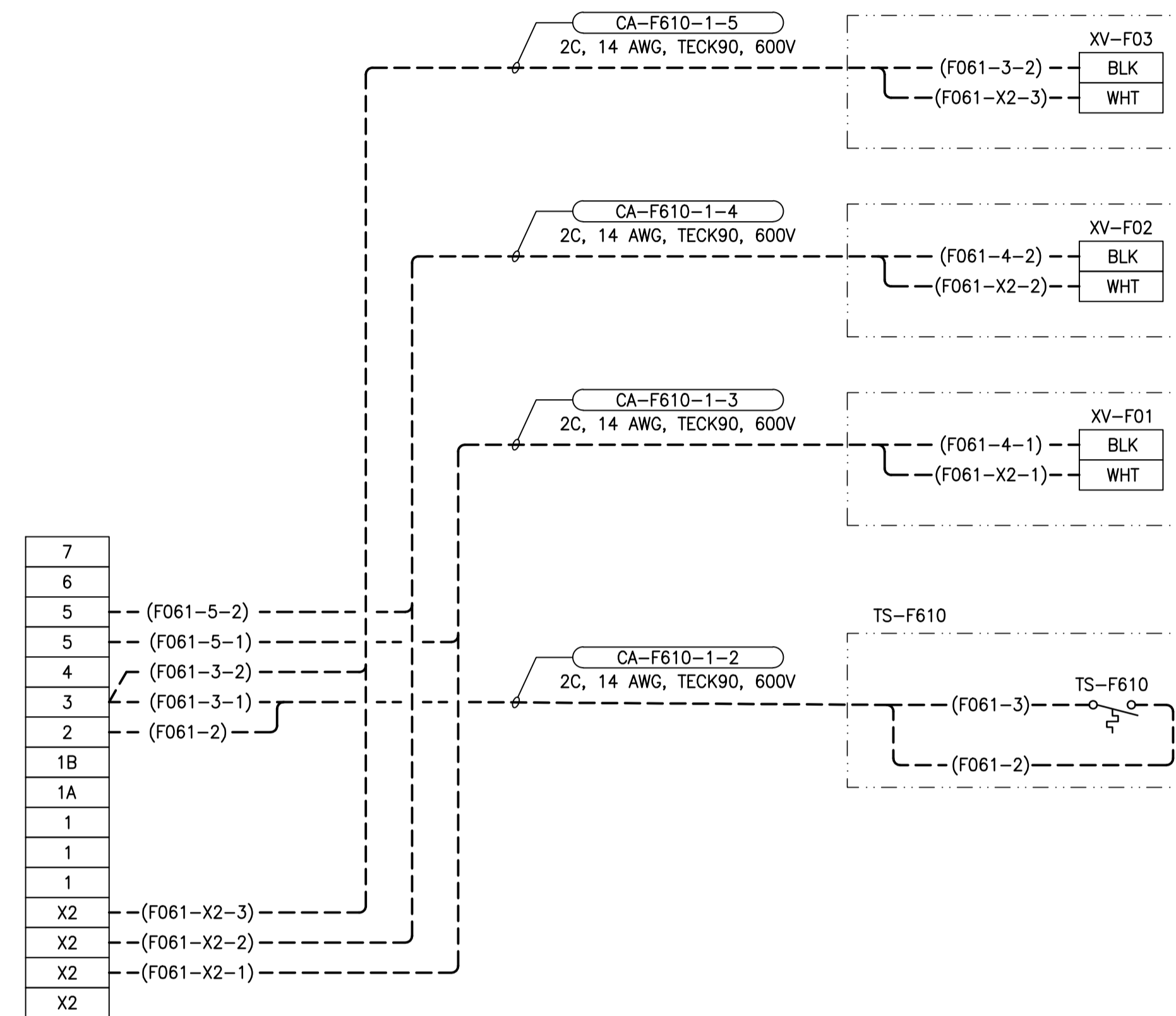


SCHEMATIC DIAGRAM

SCALE: N.T.S.



WIRING DIAGRAM

SCALE: N.T.S.

NOTES:

1. REMOVE JUMPER AND CONNECT FIELD INTERLOCK AS REQUIRED.
2. CONTRACTOR SHALL CONFIRM MOTOR HORSEPOWER AND FULL LOAD AMP RATINGS, PROVIDE SUITABLE ELECTRONIC OVERLOAD AND ADJUST OVERLOAD SETTING TO SUIT.
3. STARTER MANUFACTURER TO SIZE TRANSFORMER TO ACCOMMODATE LOADS OF MOTOR DAMPER. EACH MOTOR DAMPER REQUIRES 20VA PER ACTUATOR.

LEGEND

- STARTER TERMINALS
- ▭ FUSE
- FIELD WIRING
- MANUFACTURER WIRING
- (M) CONTACTOR COIL
- (R) RED PILOT
- |/| NORMALLY OPEN
- |/| NORMALLY CLOSED
- |/| OPEN LIMIT SWITCH



B.M.	-
ELEV.	-
NO.	REVISIONS
00	ISSUED FOR TENDER AND CONSTRUCTION
DATE	2019/07/12
DESIGN	LU
CHECK	JAB

KGS GROUP CONSULTING ENGINEERS	
DESIGNED BY: L. UPPAL	CHECKED BY: J. BOUCHARD
DRAWN BY: J. deLEON	APPROVED BY: J. BOUCHARD
SCALE: AS NOTED	ISSUED FOR CONSTRUCTION BY: DATE: 2019/07/12
CONSULTANT NO.: 19-0107-002_E18	

ENGINEER'S SEAL

THE CITY OF WINNIPEG
WATER AND WASTE DEPARTMENT

CLIFTON FLOOD PUMPING STATION UPGRADES
ELECTRICAL
MOTOR STARTER SCHEMATIC
SF-F60
SUPPLY FAN

CITY DRAWING NUMBER	SHEET	REV.	SIZE
1-0125F-E0024-001	00		A1